

Accessories for 50 Series Photoelectric Sensors

Mounting Brackets

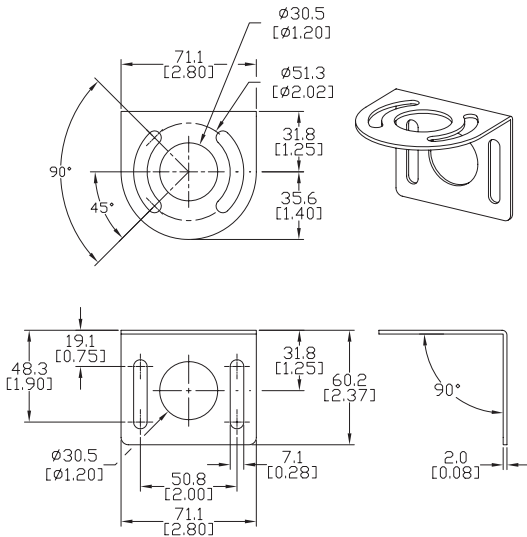
Short, tall or ball-swivel style of mounting brackets are available. All styles allow 360° rotation of the sensor.

Note: Cutler-Hammer parts available for sale to North America locations only.

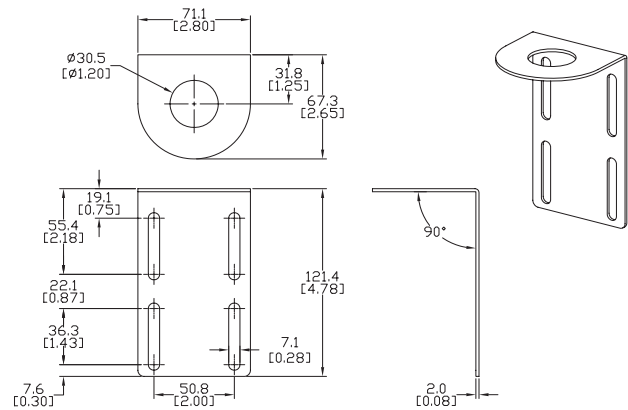
Dimensions

mm [inches]

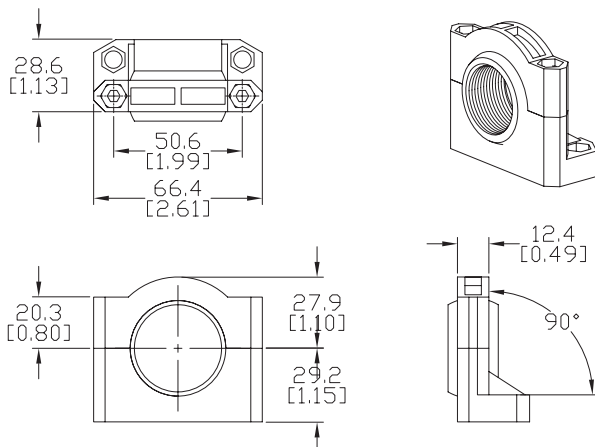
Accessories for Enhanced 50 Series Sensors			
Part Number	Price	Description	Weight [lb]
<u>6150E-6501</u>		Mounting bracket, right-angle, 1.5in vertical adjustment, nickel plated steel. For use with CH Enhanced 50 Series sensor.	0.20
<u>6150E-6502</u>		Mounting bracket, right-angle, 3.5in vertical adjustment, nickel plated steel. For use with CH Enhanced 50 Series sensor.	0.39
<u>6150E-6503</u>		Mounting bracket, right-angle ball swivel, 60 degree vertical and horizontal adjustment, plastic. For use with CH Enhanced 50 Series sensor. Ball swivel allows for ±30° angle.	0.11



6150E-6501



6150E-6502



6150E-6503