

Shutters and Adapters

Shutters for M18 (18mm) Through-beam Sensors (SSE / SSR)

- Reduces the emitted beam, allowing the detection of small targets
- Shutter consists of an aluminum cap and aperture with an O-ring and glass lens, which can screw onto the optical head of either the emitter or receiver

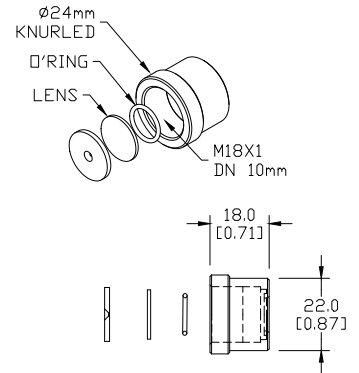
Sensing Distance (When Used with SSE / SSR Model Photoelectric Switches)						
Model	ST0S1	ST0S2	ST0S3	ST0S4	ST0S6	ST0S8
Price						
Ø x shutter (mm)	1	2	3	4	6	8
Distance (m) Object (mm)	N/A	N/A	N/A	1.5 2	3.5 3	6.5 4

Table shows sensing distance and minimal detectable object.



ST0S1-ST0S8

Dimensions
mm [inches]



Shutter Accessory for QM Series Sensors				
Part Number	Price	Drawing Link	Description	Weight [lb]
STQMO		PDF	Micro Detectors shutter, plastic. Package of 2. For use with through beam QM series photoelectric sensors. Vertical and horizontal diaphragms (0.5, 1, 2mm) included.	0.1

Shutter (STQMO) Sensing Distances			
Shutter Size	0.5 mm	1mm	2mm
Maximum Sensing Distance	1.5 m	2 m	4.5 m
Minimum Detectable Object Diameter	0.8 mm	1.5 mm	2.5 mm

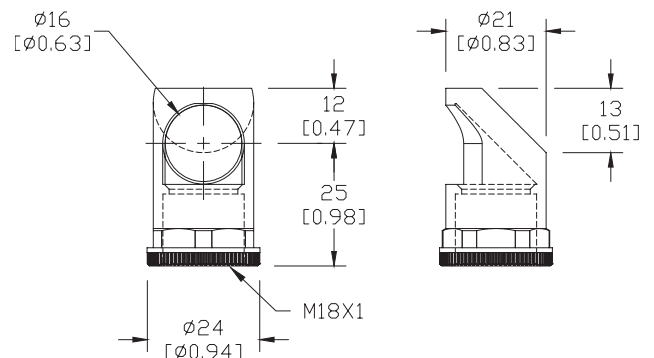
Note: With shutters on emitter and receiver in same vertical or horizontal orientation.

Right-angle M18 (18 mm) Beam Adapter

For use with M18 retroreflective and through-beam photoelectric switches (not for use with diffuse reflection sensors). Allows 90° light detection using an internal mirror set at 45° to the optical axis. Sensitivity loss is about 20-30%.

Beam Adapters			
Part Number	Price	Description	Weight [lb]
ST03		Right-angle beam adapter, for use with 18mm sensors (except diffuse reflection models), mirror allows 90 degree light detection.	0.06

Dimensions
mm [inches]



ST03