

# Accessories for OPT2001 - OPT2011 Photoelectric Sensors

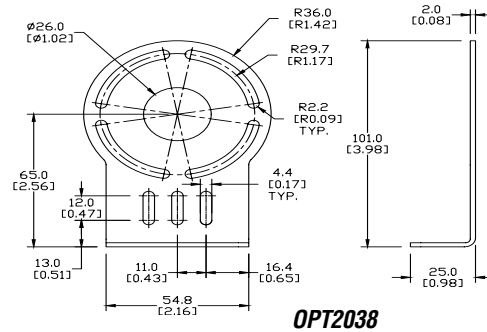
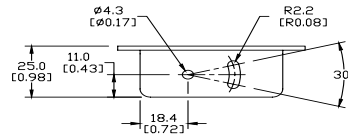
## Right-angle Brackets

Mounting bracket, right-angle, nickel-plated steel or 304 stainless steel.  
For use with OPT2001 - OPT2011 photoelectric sensors.

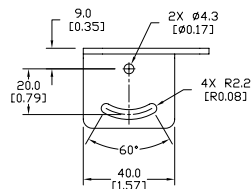
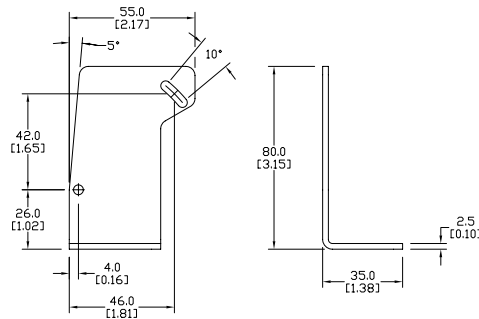
Accessories for OPT2001 - OPT2011 Sensors			
Part Number	Price	Description	Weight [lb]
<b>OPT2031</b>		Mounting bracket, right-angle, nickel-plated steel. For use with OPT2001 - OPT2011 photoelectric sensors.	0.24
<b>OPT2038</b>		Mounting bracket, right-angle, vertical and horizontal adjustment, 304 stainless steel. For use with OPT2001 - OPT2011 photoelectric sensors.	0.19

## Dimensions

mm [inches]



**OPT2038**



**OPT2031**



**OPT2031**

See our website: for complete engineering drawings

# Accessories for OPT2001 - OPT2011 Photoelectric Sensors

## Right-angle Swivel Mounting Systems

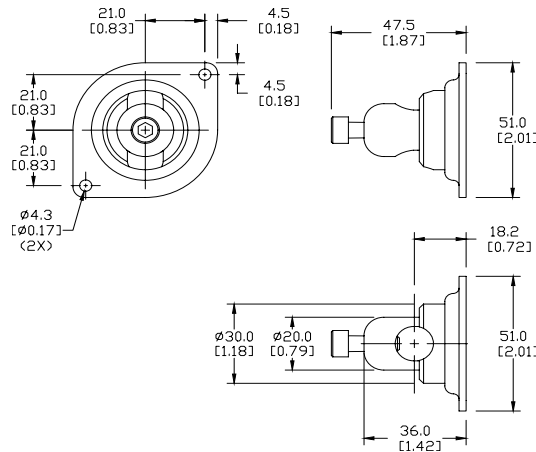
Mounting bracket, right-angle swivel, 360 degree vertical and horizontal adjustment, 12mm rod mount. For use with OPT2001 - OPT2011 photoelectric sensors. Available in all stainless steel or with an aluminum head with a stainless steel mounting plate.

Accessories for OPT2001 - OPT2011 Sensors					
Part Number	Price	Description	Mounting Head	Mounting Plate	Weight [lb]
<b>OPT2122</b>		Mounting bracket, right-angle swivel, 360 vertical and horizontal adjustment, aluminum, 12mm rod mount. For use with OPT2001 - OPT2011 photoelectric sensors.	Aluminum	304 Stainless Steel	0.19
<b>OPT2123</b>		Mounting bracket, right-angle swivel, 360 vertical and horizontal adjustment, stainless steel, 12mm rod mount. For use with OPT2001 - OPT2011 photoelectric sensors.	304 Stainless Steel	304 Stainless Steel	0.31

**Note:** 304 Stainless steel mounting rods sold separately: OPT2109 (200mm length), OPT2110 (300mm length), and OPT2111 (500mm length).

## Dimensions

mm [inches]



See our website: for complete engineering drawings



OPT2122, OPT2123

# Mounting Rods

## Mounting Rods

304 Stainless steel rods for mounting swivel brackets OPT2112 - OPT2127. Available in three lengths: 200mm, 300mm, and 500mm. 12mm diameter.

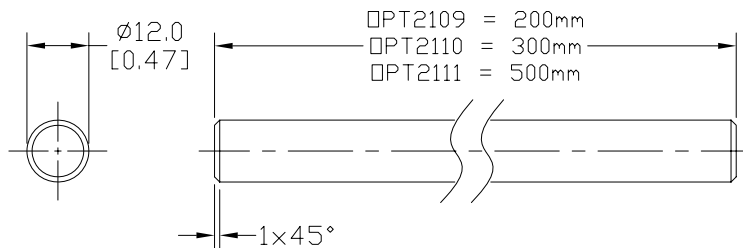
Mounting Rods for OPT2112-2127 Swivel Mounting Brackets			
Part Number	Price	Description	Weight [lb]
<b>OPT2109</b>		Mounting rod, 12mm diameter, 200mm length, 304 stainless steel.	0.41
<b>OPT2110</b>		Mounting rod, 12mm diameter, 300mm length, 304 stainless steel.	0.60
<b>OPT2111</b>		Mounting rod, 12mm diameter, 500mm length, 304 stainless steel.	0.98



**OPT2109, OPT2110, OPT2111**

## Dimensions

mm [inches]



## Right-angle Mounting Bracket

Mounting bracket, right-angle, nickel-plated brass. For use with 12mm mounting rods OPT2109, OPT2110 & OPT2111.

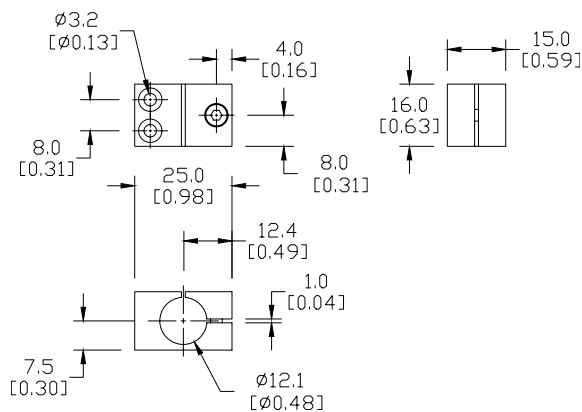
Accessories for 12mm Sensors			
Part Number	Price	Description	Weight [lb]
<b>OPT2108</b>		Mounting bracket, right-angle, nickel-plated brass. For use with 12mm mounting rods OPT2109, OPT2110 & OPT2111.	0.07



**OPT2108**

## Dimensions

mm [inches]



See our website: for complete engineering drawings