



ACS035/ACS400 Series AC Current Switches



The ACS035/ACS400 Series Current Sensing Switches allow two separate trip points to detect overcurrent and undercurrent conditions. The sensor outputs are dual, single-pole, double-throw relays, so they can control either AC or DC circuits and provide an alarm if the monitored circuit draws too little or too much current. One sensor means less installation time and less panel space required. The Status LEDs indicate if the monitored circuit current is under or over each of the trip points.

Applications

Electronic Proof of Operation

- Current operated switches eliminate the need for multiple pipe or duct penetrations and are more reliable than electromechanical pressure or flow switches.

Conveyors

- Detect jams and overloads.
- Interlocks with safety equipment.

Pump Control

- Output contact is adjusted so it is closed during normal operation, opening if the pump runs dry or there is a loss of head pressure for any reason.

Cooling Towers

- Monitor for overcurrent conditions caused by open duct access doors or undercurrent from a broken drive belt or coupling.

Features

- Two Electromechanical Relay Outputs
- Access to both the N.O. and N.C. contacts at independent setpoints.
- Because relay outputs are floating they can be wired in parallel or in series for a two-wire over/under switch.
- Easily Adjustable and Precise Setpoint
- Single turn potentiometer: point the arrow at the current value where you need the output to change
- Improves the safety by allowing the trip point adjustment with no setpoint power through the sensing window.
- Fixed core Case
- Sensing window provides ample space for bus bar, single or multiple conductors.
- Snap onto DIN rail using integral mounting clips or attach with screws to a panel for secure mounting.
- Five-year warranty



ACS035/ACS400 Series AC Current Switches

Part Number	Description	Pcs/Pkg	Wt (lb)	Price
ACS035-2C-24-F	AcuAMP AC current switch, fixed core, 2-35A sensing range, (2) 2-35A adjustable trip point, (2) single-turn potentiometers, (2) SPDT relays output, 1A @ 120 VAC, 2A @ 30 VDC output rating.	1	0.8	
ACS400-2C-24-F	AcuAMP AC current switch, fixed core, 25-400A sensing range, (2) 25-400A adjustable trip point, (2) single-turn potentiometers, (2) SPDT relays output, 1A @ 120 VAC, 2A @ 30 VDC output rating.	1	0.8	

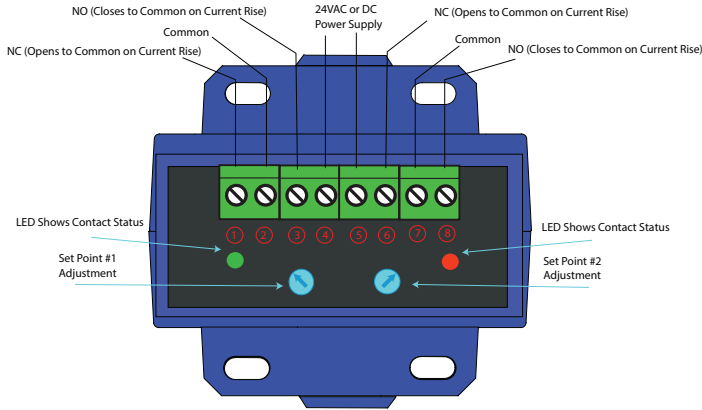
Specifications

Power Supply	24VAC/DC (+/- 8.3%)
Power Consumption	< 2VA
Output	(2) Independent Single Pole, Double Throw mechanical Relays
Contact Rating	1A @ 120VAC, 2A 30VDC
Response Time	40 - 120ms
Hysteresis	4% of setpoint
Setpoint Ranges	2-35 Amps (ACS035) 25-400 Amps (ACS400)
Setpoint Adjust	Two 3/4-turn potentiometers
Sensed Current Limit	1.1x range continuous 3x range for 6 seconds 5x range for 1 second
Isolation Voltage	UL508, UL tested to 1240VAC
Frequency Range	40-65 Hz
Sensing Aperture	1.31 in (33.3 mm) dia.
Environmental	-Temp -4 to 122°F (-20 to 50°C) -Humidity 0-95% RH, Non-condensing -Pollution degree 2 -Altitude 2000 meters
Case	UL 94V-0 Flammability rated thermoplastic
Certifications	cULus listed E222847 CE

ACUAMP® ACS035/ACS400 Series AC Current Switches

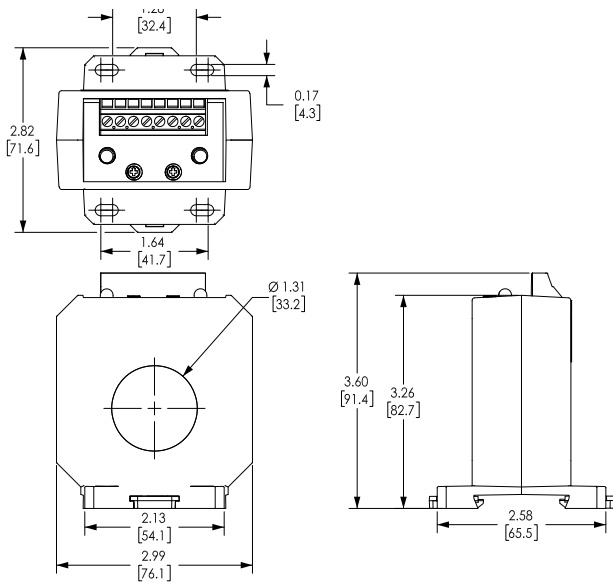
Wiring

ACS035/ACS400 Series



Dimensions

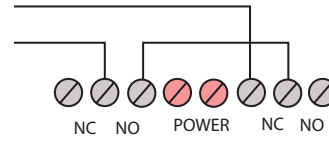
Inches [mm]



See our website [www.acuamp.com](#) for complete Engineering drawings.

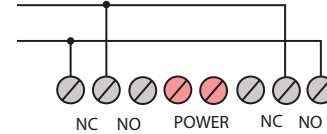
Application Examples

Series Over/Under Current Window (AND wiring) Example

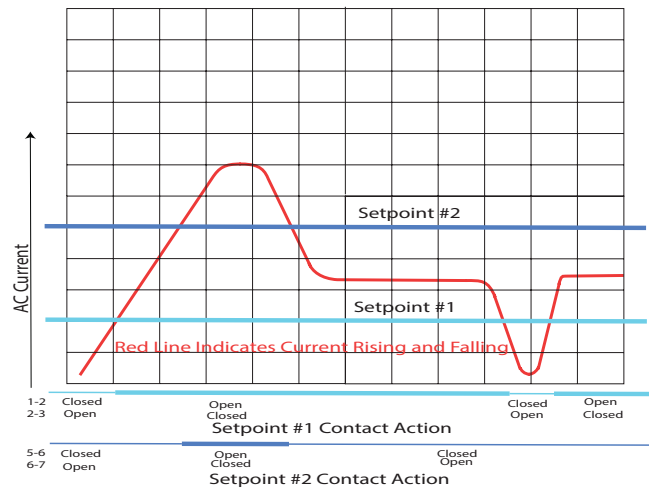


Closed at Normal
 Open at Low Current
 Closed at Normal
 Open at High Current
 Control circuit is open at either over or under normal current conditions.

Parallel Connection Current Alarm (OR wiring) Example



Open at Normal
 Closed at Low Current
 Open at Normal
 Closed at High Current
 Control circuit is closed at either over or under current conditions.





AC Current Switches, Transducers and Indicators

Overview

The AcuAMP series of AC current sensors is a family of high-performance current sensors offering outstanding features, flexibility, and durability at an incredible Price. Choose from a wide selection of current transducers, switches and indicators, all designed in a rugged industry-standard feed-through package, including both fixed core and split core models.

AcuAMP current sensors are available with

a broad selection of input sensing ranges for maximum flexibility across many current ratings. The current transducer output choices include 4-20 mA, 24VDC loop-powered, and 0 to 10 volt self-powered analog outputs. The Current Switch outputs include isolated solid state switches available in Normally Open and Normally Closed configurations or SPDT relays.

Models with output time delay are also offered in the Current Switch series. The

ACL1 Current Indicator senses AC current ranging from 0.5 to 100A and requires no power for the indicating LED.

These current sensors can be mounted in a panel or attached to the monitored conductor with a wire tie. Use the Selection Guide below to find the best sensor for your requirements.



AcuAMP AC Current Transducer Selection Guide

Specifications	Single-Phase Transducer	Single-Phase Transducer (True RMS)	3-Phase Transducer	3-Phase Transducer (True RMS)
Series	ACT	ACTR	3ACT	3ACTR
Sensing Range	Selectable: ACT005: 0 to 2A 0 to 5A ACT050: 0 to 10A 0 to 20A 0 to 50A ACT200: 0 to 100A 0 to 150A 0 to 200A ACT750: 0 to 375A 0 to 500A 0 to 750A ACT2000: 0 to 1000A 0 to 1333A 0 to 2000A Fixed range: ACT400 0 to 400A ACT600 0 to 600A ACT800 0 to 800A ACT1200 0 to 1200A	Selectable: ACTR005: 0 to 2A 0 to 5A ACTR050: 0 to 10A 0 to 20A 0 to 50A ACTR200: 0 to 100A 0 to 150A 0 to 200A ACTR750: 0 to 375A 0 to 500A 0 to 750A ACTR2000: 0 to 1000A 0 to 1333A 0 to 2000A Fixed range: ACTR400: 0 to 400A ACTR500: 0 to 500A ACTR600: 0 to 600A ACTR800: 0 to 800A ACTR1000: 0 to 1000A ACTR1200: 0 to 1200A ACTR2000: 0 to 2000A	Selectable: 3ACT030: 0 to 10A 0 to 15A 0 to 30A 3ACT100: 0 to 30A 0 to 50A 0 to 100A 3ACT200: 0 to 100A 0 to 150A 0 to 200A	Selectable: 3ACTR030: 0 to 10A 0 to 15A 0 to 30A 3ACTR100: 0 to 30A 0 to 50A 0 to 100A 3ACTR200: 0 to 100A 0 to 150A 0 to 200A
Output	-10 models: 0-10 VDC, self-powered -42L models: 4-20 mA, loop-powered	4-20 mA, loop-powered True RMS	4 -20 mA, loop-powered	4-20 mA, loop-powered True RMS
Frequency Range	-10 models: 50 to 60 Hz -42L models up to 200A: 20 to 100 Hz -42L models 400, 600, 800, 1200A: 50 to 60 Hz sinusoidal waveforms only	20 to 400 Hz; (40 to 400 Hz flexible split core models) sinusoidal and non-sinusoidal waveforms	50 to 60 Hz sinusoidal waveforms only	30 to 100 Hz sinusoidal and non-sinusoidal waveforms
Sensing Aperture	ACT005, ACT050, ACT200: Fixed core: 0.75 in [19mm] dia. Split core: 0.85 in [21.6 mm] sq. ACT750, ACT2000: Fixed core: 3.0 in [76.2 mm] dia. ACT400, ACT600, ACT800: Split core: 2.22 X 1.19 in [56.3 X 30.2 mm] ACT1200 Split core: 3.44 X 2.31 in [87.3 X 58.8 mm]	ACTR005, ACTR050, ACTR200: Fixed core: 0.75 in [19mm] dia. Split core: 0.85 in [21.6 mm] sq. ACTR750, ACTR2000: Fixed core: 3.0 in [76.2 mm] dia. ACTR500, ACTR1000, ACTR2000: Flexible split core: 4.5 in [114.3 mm] dia. ACTR400, ACTR600, ACTR800: Split core: 2.22 X 1.19 in [56.3 X 30.2 mm] ACTR1200 Split core: 3.44 X 2.31 in [87.3 X 58.8 mm]	3x - Fixed core: 0.86 in [21.8 mm] dia.	3x - Fixed core: 0.86 in [21.8 mm] dia.



AC Current Switches, Transducers and Indicators

AcuAMP AC Current Switch Selection Guide								
Specifications	AC Current Switches							
Series	ACSN100	ACSN250	ACS150	ACSL	ACS200	ACS050/ACS200	ACS035/ACS400	ACSX
Sensing Range	0 to 100A	0 to 250A	Fixed core: 1 to 150A Split core: 1.75 to 150A	0 to 50A	Jumper Selectable: Fixed core: 1 to 6A 6 to 40A 40 to 175A Split core: 1.75 to 6A 6 to 40A 40 to 200A	1 to 200A	2 to 400A	Jumper Selectable: Fixed core: 1.5 to 12A 12 to 55A 55 to 175A Split core: 2 to 12A 12 to 55A 55 to 200A
Setpoint (Trip Point)	Non-adjustable: 0.5 A	Non-adjustable: Fixed core: 0.75A Split core: 1.25A	Adjustable: Fixed core: 1-150 A (15-turn potentiometer) Split core: 1.75-150 A (4-turn potentiometer) Monitored load current required to adjust setpoint	Adjustable (3/4-turn potentiometer): ACSL010: 1-10A ACSL020: 2-20A ACSL050: 10-50A Monitored load current not required to adjust setpoint	Adjustable: (4-turn or 15-turn potentiometer) Fixed core: 1-175A Split core: 1.75-200A Monitored load current required to adjust setpoint	Adjustable: (Single turn potentiometer): ACS050: 1-50A ACS200: 4-200A	Adjustable: (3/4-turn potentiometer): ACS035: 2-35A ACS400: 25-400A	Adjustable: Fixed core: 1.5-175A (15-turn potentiometer) Split core: 2-200A (4-turn potentiometer) Monitored load current required to adjust setpoint
Output	Isolated solid state: Normally Open 0.15 A @ 120VAC or VDC	Isolated solid state: Normally Open 0.15 A @ 240VAC or VDC	Isolated solid state: Normally Open 0.15 A @ 240VAC or VDC Normally Closed 0.2 A @ 135VAC or VDC	Isolated solid state: Normally Open AC: 0.15 A @ 240VAC	Isolated solid state: Normally Open or Normally Closed AC model: 1A @ 240VAC Normally Open AC model: 3A @ 120VAC Normally Open or Normally Closed DC model: 0.15 A @ 30VDC	Isolated solid state: Normally Open 1A @ 240VAC	Two Independent Single Pole, Double Throw electro-mechanical relays AC: 1A @ 120VAC DC: 2A @ 30VDC	Isolated solid state: Normally Open or Normally Closed AC model: 1A @ 240VAC Normally Open AC/DC model: 0.15 A @ 240 VAC/ VDC Normally Closed AC/DC model: 0.2 A @ 135 VAC/ VDC
Frequency Range	50 to 400 Hz	6 to 100 Hz	6 to 100 Hz	10 to 100 Hz	6 to 100 Hz	40 to 100 Hz	40 to 65 Hz	50 to 100 Hz
Response Time	N/A	120ms	120ms	100ms & 2s inrush delay	40 to 250 ms	0.50 sec. 5% over set point 0.20 sec. 50% over set point 0.15 sec. 100% over set point	40 - 120ms	Field adjustable time delay: 0.12 to 15 seconds
Sensing Aperture	0.30 in [8.13 mm] dia.	Fixed core: 0.75 in [19mm] dia. Split core: 0.85 in [21.7 mm] sq.	Fixed core: 0.75 in [19mm] dia. Split core: 0.85 in [21.7 mm] sq.	Fixed core: 0.55 in [13.97 mm] dia. Split core: 0.85 in [21.7 mm] sq.	Fixed core: 0.55 in [13.97 mm] dia. Split core: 0.85 in [21.7 mm] sq.	0.75 in [19mm] dia.	1.31 in [33.3 mm] dia.	Fixed core: 0.75 in [19mm] dia. Split core: 0.85 in [21.7 mm] sq.

AC Current Switches, Transducers and Indicators

AcuAMP AC Current Transducer/Switch and Indicator Selection Guide			
Specifications	AC Current Transducer	AC Current Transducer/Switch	Indicator
Series	ACTH	ACTS	ACL1
Sensing Range	0 to 50A	1 to 200A	0 to 100A
Setpoint (Trip Point)	Not Applicable	Adjustable: (Single turn potentiometer): ACTS050: 1-50A ACTS200: 4-200A	Non-adjustable: 0.5 A
Output	4 -20 mA, loop-powered adaptive True RMS	4-20mA analog output and isolated solid state: Normally Open 1A @ 240VAC	LED Only (flashing, red)
Frequency Range	40 to 400 Hz	40 to 400 Hz	50 to 400 Hz
Response Time	400ms at 100% duty cycle, or duty cycle period plus 40ms	Switch: 0.50 sec. 5% over set point 0.20 sec. 50% over set point 0.15 sec. 100% over set point Analog: < 0.30 sec. 90% step change < 0.40 sec. 100% step change	N/A
Sensing Aperture	0.86 in [21.9 mm] sq.	0.75 in [19mm] dia.	0.30 in [7.6 mm] dia.



Click on the thumbnail or go to <https://VID-CT-0001> for a short introductory video on the AcuAmp Current Switches, Transducers and Indicators

AC Current Sensors, Switches and Transducers Application Guide

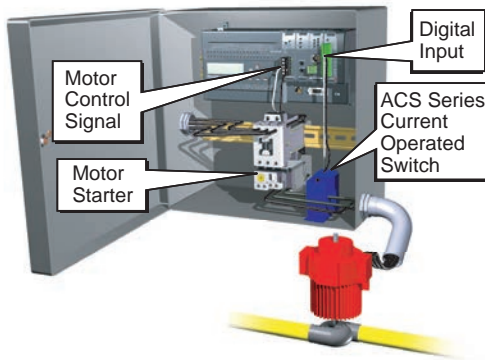
Application Guide

ACUAMP current sensors are a great fit for many applications including material handling, fan and pump applications, and heating systems. With current transducers, current switches and current indicators, this sensor family gives you

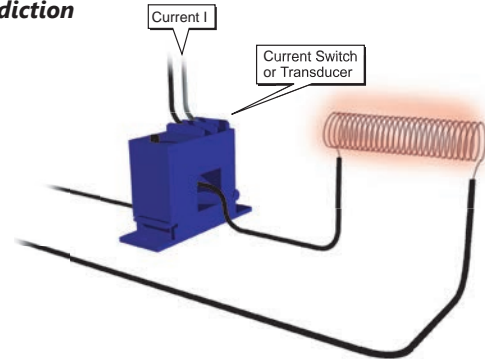
valuable data for processes ranging from monitoring loads to preventive maintenance. Models with the ability to read True RMS non-sinusoidal waveforms make it easy to monitor applications using variable frequency drives.

Use the application examples to help choose the best sensor model for your application.

Pump Jam & Suction Loss Protection



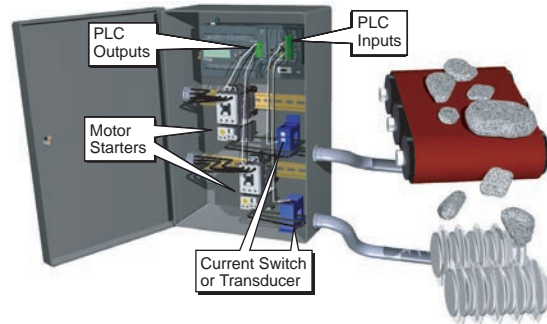
Heater Life Prediction



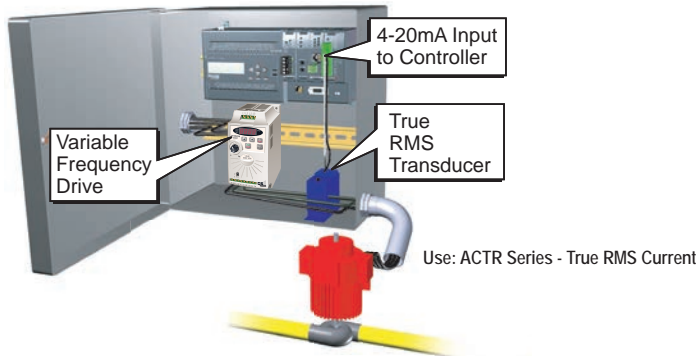
Crusher/Grinder/Shredder Motor Interlocks

The performance of size reduction equipment like crushers or grinders can be optimized by controlling the in-feed in order to:

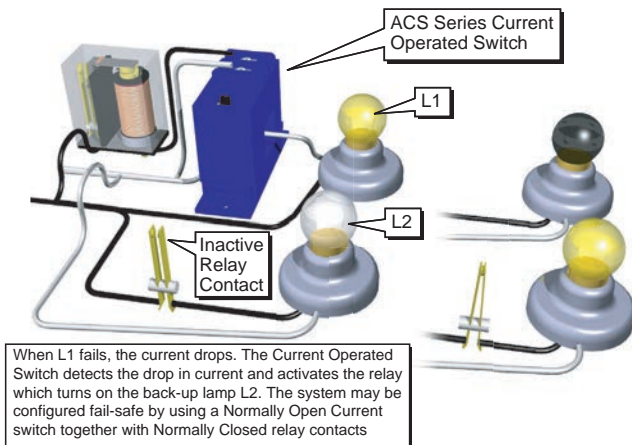
- Help prevent jamming
- Improve the uniformity of the resultant product
- Enhance overall production efficiency



Pump Load Monitoring



Lamp Failure Detection



Electric Motor Load Status

