



VACT series AC voltage transducers are high-performance True RMS transducers for sensing voltage in single-phase installations. Applicable on circuits of 120V, 208V, 240V, 277V, and 480V, the VACT series models provide a fully isolated, 4-20 mA output proportional to rated voltage in both sinusoidal and non-sinusoidal (variable frequency) situations. Housed in a slim, compact, easy-to-install DIN rail mounted enclosure, the VACT series comes in a variety of voltage ranges and use four wire terminal block connections.

Applications

True RMS Voltage Monitoring

- Detect below normal or “brown out” voltage conditions; protect against possible motor overheating.
- Identify phase loss conditions by detecting voltage reduction in one or more phase of three-phase motor.
- Monitor over voltage conditions associated with regenerative voltage to help in diagnosing/avoiding motor drive issues.
- Detect voltage conditions which may cause stress in or damage to soft starter components (SCRs).

Features

- **True RMS Output:** Allows for use in situations where power supplied is non-sinusoidal, poor power quality installations or other electrically harsh/challenging environments.
- **Standard 4-20 mA Loop Powered Output:** Industry standard output makes use with existing controllers, data loggers and SCADA equipment easy and reliable.
- **Input/Output Isolation:** Input and output circuitry electrically isolated for improved safety of use.
- **Compact DIN rail Mount Enclosure:** Space saving 35mm wide enclosure makes installation quick and easy.
- **Five-year warranty**

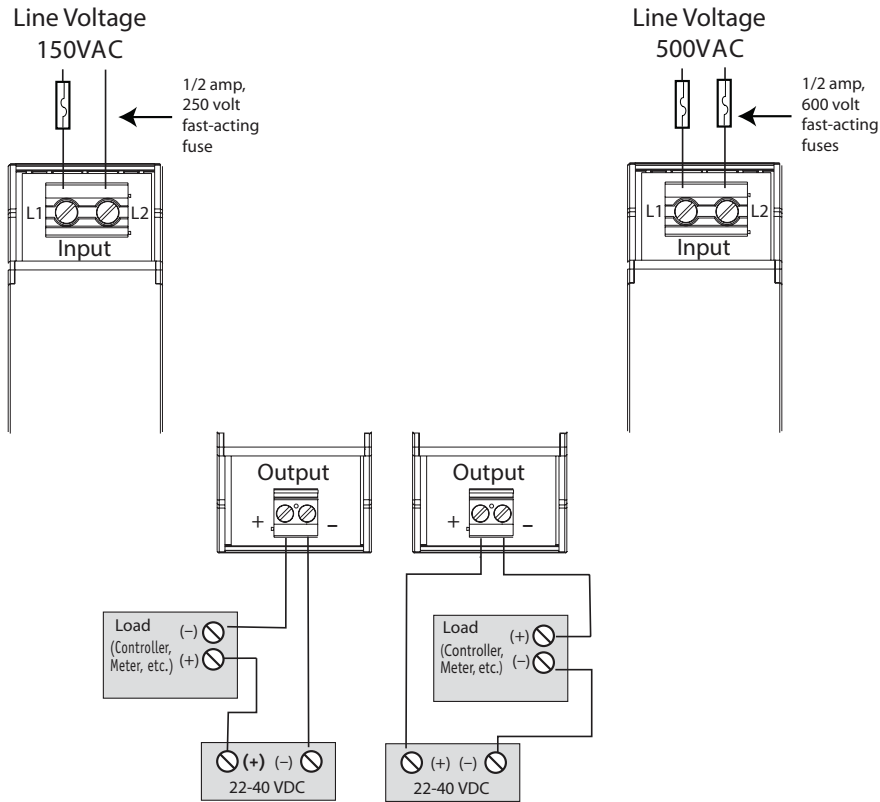


VACT Series AC Voltage Transducers				
Part Number	Description	Pcs/Pkg	Wt (lb)	Price
VACT150-42L	AcuAMP AC voltage transducer, 0-150VAC sensing range, 4-20mA output.	1	0.25	
VACT500-42L	AcuAMP AC voltage transducer, 0-500VAC sensing range, 4-20mA output.	1	0.25	

VACT Series Specifications	
Power Supply	24VDC (22VDC-40VDC), Use Class 2 power supply only
Voltage Measurement	150V (for monitoring 120VAC) and 500V (for monitoring 208, 240, 277, 480 VAC), not to exceed 600VAC RMS
Output	4-20 mA proportional; loop powered (sinking), capped at 24mA max
Response Time	250ms (to 90% value)
Accuracy	<1%
Linearity	<0.5%
Output Impedance	500Ω maximum
Isolation Voltage	2500 Volts per UL
Frequency Range	40-100 Hz
Case	UL94V-0 Flammability Rating
Environmental	Operating temperature: -4 to 122°F (-20 to 50°C)
	Relative humidity: 0-95% RH, Non-condensing
	Pollution Degree 2
	Altitude to 2000 meters
Certifications	cULus listed (E222847), CE

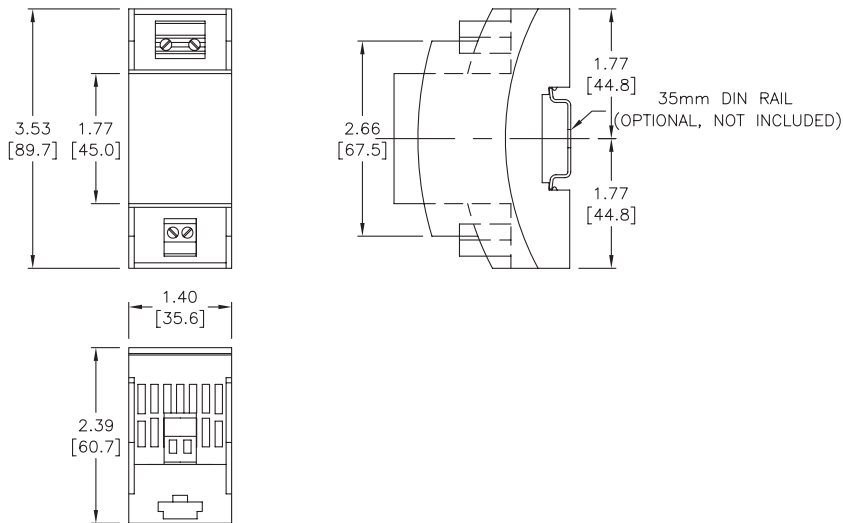
ACUAMP® VACT Series AC Voltage Transducers

Wiring



Dimensions

Inches [mm]



VACT Series

See our website [_____](#) for complete Engineering drawings.