

# VADT Series AC/DC Voltage Transducers



VADT series AC/DC voltage transducers are high-performance True RMS sensing for AC voltage in single-phase or 3-phase installations and DC voltage sensing in DC powered installations. Applicable on AC circuits of 120V, 208V, 240V, 277V, and 480V, or DC circuits of 12V, 24V, 48V, 120V, the VADT series models provide a 4-20 mA output proportional to rated voltage in both sinusoidal and non-sinusoidal (variable frequency) situations and DC voltage. Housed in a slim, compact, easy-to-install DIN rail mounted enclosure, the VADT series comes in a variety of voltage ranges.

## Applications

### True RMS or DC Voltage Monitoring

- Detect below normal or “brownout” voltage conditions; protect against possible motor overheating.
- Identify phase loss conditions by detecting voltage reduction in one or more phase of three-phase motor.
- Monitor over voltage conditions associated with regenerative voltage to help in diagnosing/avoiding motor drive issues.
- Detect voltage conditions that may cause stress or damage to soft starter components (SCRs).

## Features

- Zero to 5 KHz Measurement
- Allows for use in situations where power supplied is non-sinusoidal such as VFD applications, poor power quality installations or other electrically harsh/challenging environments.
- Industry standard 4-20mA compatible with controllers, data loggers and SCADA
- Compact DIN Rail Mount Case
- Space saving enclosure mounts quickly on 35mm DIN rail with integral mounting clips
- Five-year warranty



## VADT Series AC/DC Voltage Transducers

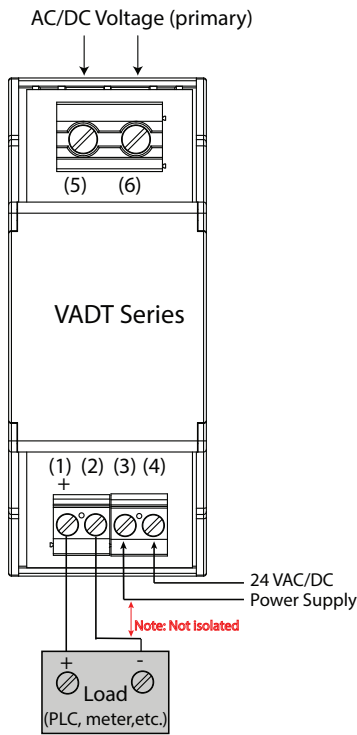
Part Number	Description	Pcs/Pkg	Wt (lb)	Price
VADT015-42-24	AcuAMP AC/DC voltage transducer, 0-15 VAC/VDC sensing range, 4-20mA output.	1	0.27	
VADT050-42-24	AcuAMP AC/DC voltage transducer, 0-50 VAC/VDC sensing range, 4-20mA output.	1	0.27	
VADT150-42-24	AcuAMP AC/DC voltage transducer, 0-150 VAC/VDC sensing range, 4-20mA output.	1	0.27	
VADT500-42-24	AcuAMP AC/DC voltage transducer, 0-500 VAC/VDC sensing range, 4-20mA output.	1	0.27	

## Specifications

<b>Power Supply</b>	24 VAC/DC (+/-8.3%) External Power <b>(Note: Output and power supply negatives are not isolated.)</b>
<b>Power Consumption</b>	< 2VA
<b>Voltage Measurement</b>	15, 50, 150, and 500 VAC or DC
<b>Frequency Range</b>	0 - 5KHz
<b>Output</b>	4 - 20 mA
<b>Output Limit</b>	31mA
<b>Response Time</b>	500 ms (90% step change)
<b>Accuracy</b>	<1% Full Scale
<b>Output Impedance</b>	< 400Ω
<b>Isolation Voltage</b>	UL tested to 2200VAC
<b>Case</b>	UL 94V-0 Flammability rated thermoplastic
<b>Environmental</b>	-Temp -4 to 122°F (-20 to 50°C) -Humidity 0-95% RH, Non-condensing -Pollution degree 2 -Altitude 2000 meters
<b>Certifications</b>	cULus listed E222847, CE

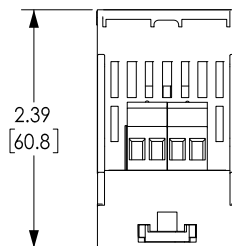
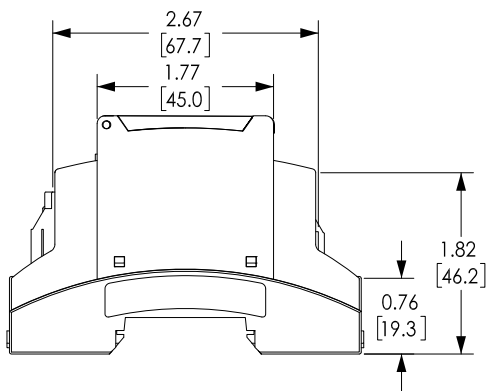
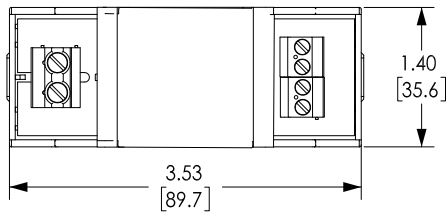
# VADT Series AC/DC Voltage Transducers

## Wiring



## Dimensions

Inches [mm]



**VADT Series**

See our website [\\_\\_\\_\\_\\_](#) for complete Engineering drawings.