



The VDCT series DC voltage transducers are high-performance transducers for sensing voltage in DC powered installations. Applicable on circuits up to 50VDC, the VDCT series models provide a fully isolated, 4-20 mA output proportional to rated nominal voltage in DC circuits. Housed in a slim, compact, easy-to-install DIN rail mounted enclosure, the VDCT series comes in two different nominal voltage ranges.

## Applications

- Detect below normal or “brown out” voltage conditions; protect against possible motor overheating.
- Monitor over voltage conditions associated with regenerative voltage to help in diagnosing/avoiding motor drive issues.
- Detect voltage conditions which may cause stress in or damage to soft starter components (SCRs).

## Features

- **Accurate Output:** Two ranges available for your application, up to 50VDC
- **Standard 4-20 mA Output:** Industry standard output makes use with existing controllers, data loggers and SCADA equipment easy and reliable.
- **Input/Output Isolation:** Input and output circuitry electrically isolated for improved safety of use.
- **Compact DIN rail Mount Enclosure:** Space saving 35mm wide enclosure makes installation quick and easy.
- **Five-year warranty**

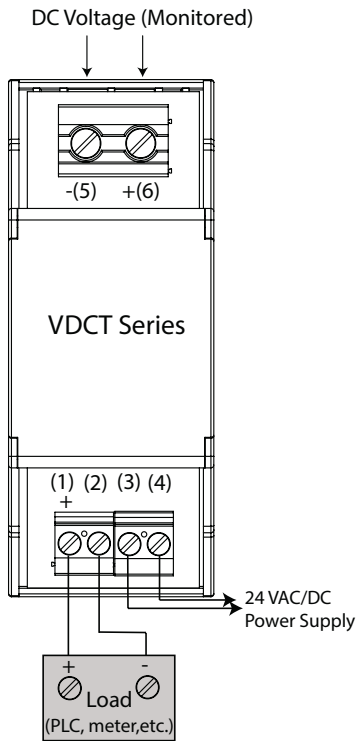


VDCT Series DC Voltage Transducers				
Part Number	Description	Pcs/Pkg	Wt (lb)	Price
VDCT015-42-24	AcuAMP DC voltage transducer, 0-15VDC sensing range, 4-20mA output.	1	0.25	
VDCT050-42-24	AcuAMP DC voltage transducer, 0-50VDC sensing range, 4-20mA output.	1	0.25	

VDCT Series Specifications	
<b>Power Supply</b>	24 VAC/DC External Power (20-45 VDC), <2VA Use Class 2 power supply
<b>Input</b>	15V (for monitoring 12VDC) and 50V (for monitoring 24, 36, 48 VDC), not to exceed 600VDC
<b>Output</b>	4-20mA proportional; capped at 24mA max
<b>Response Time</b>	250ms (to 90% value)
<b>Accuracy</b>	<1%
<b>Linearity</b>	<0.5%
<b>Output Impedance</b>	500Ω maximum
<b>Isolation Voltage</b>	2500 Volts per UL
<b>Frequency Range</b>	DC
<b>Case</b>	UL94V-0 Flammability Rating
<b>Environmental</b>	Operating temperature: -4 to 122°F (-20 to 50°C)
	Relative humidity: 0-95% RH, Non-condensing
	Pollution Degree 2
	Altitude to 2000 meters
<b>Certifications</b>	cULus listed (E222847), CE

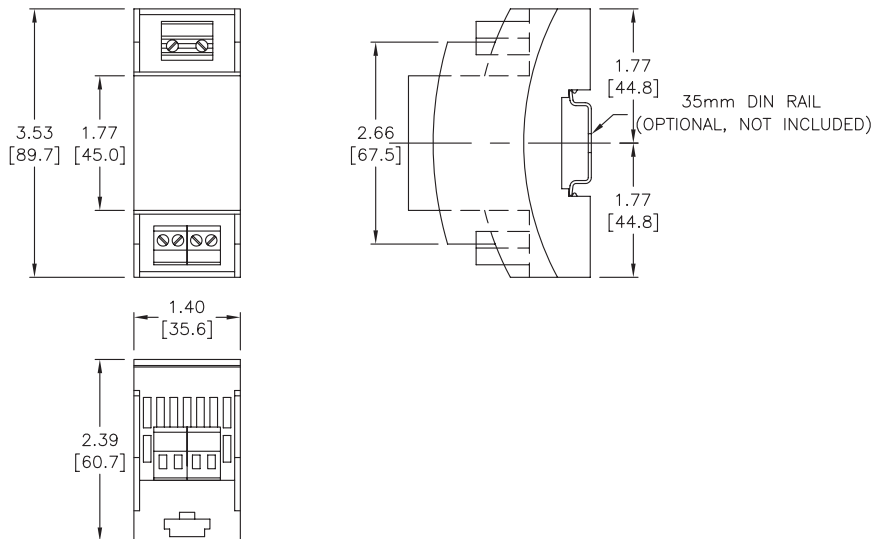
# ACUAMP® VDCT Series DC Voltage Transducers

## Wiring



## Dimensions

Inches [mm]



**VDCT Series**

See our website [\\_\\_\\_\\_\\_](#) for complete Engineering drawings.