



Control Distribution Blocks for AVS Series Solenoid Valves



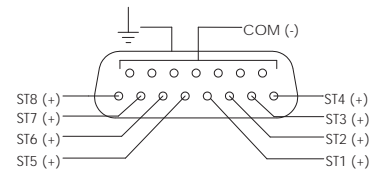
NITRA pneumatic control distribution blocks are a convenient way to connect a bank of valves to a controller. Replace all the wiring connectors supplied with the solenoid valves with this distribution block, and replace a bundle of solenoid cables with one DB15 cable. Each block matches up with a manifold of two to eight stations and includes built-in surge suppression and LED indication.

Features

- Single DB15 wiring connection
- Built-in surge suppression
- LED indication
- IP 65 rating
- 2 to 8 stations
- Use AVPS1-BP or AVPS2-BP plugs for any unused stations
- Mounting hardware and gaskets included
- Made in USA

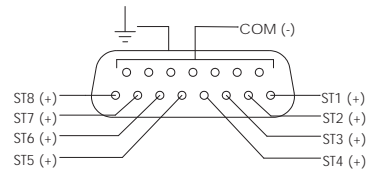
Control Distribution Block Technical Specifications		
Specification	VDC Units	VAC Units
Voltage Range	12-24 VDC	24-120 VAC
Temperature Range	0°F to 120°F (-20°C to 49°C)	
Max. Coil Power	4W	4VA
Electrical Connection	15-Pin D-Sub (DB15) Male	
Circuit Protection	N4004 Diode	MOV
Enclosure Rating	IP 65	
LED Indicator	Yes	
Material	ABS (Acrylonitrile butadiene styrene) Body	

Wiring



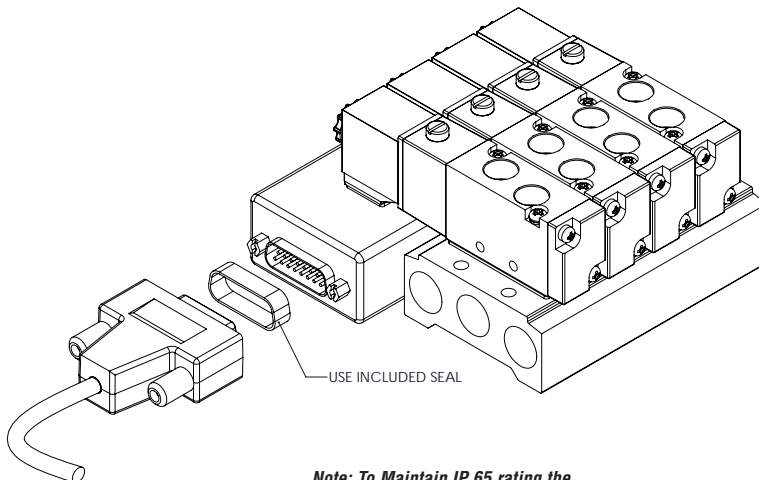
Control Distribution Block Pinout

AVPS1 Series Distribution Blocks



Control Distribution Block Pinout

AVPS2 / 3 / 4 Series Distribution Blocks



Note: To Maintain IP 65 rating the included DB15 Connector Seal must be used.



AVS-31 and AVS-51 Series Control Distribution Blocks



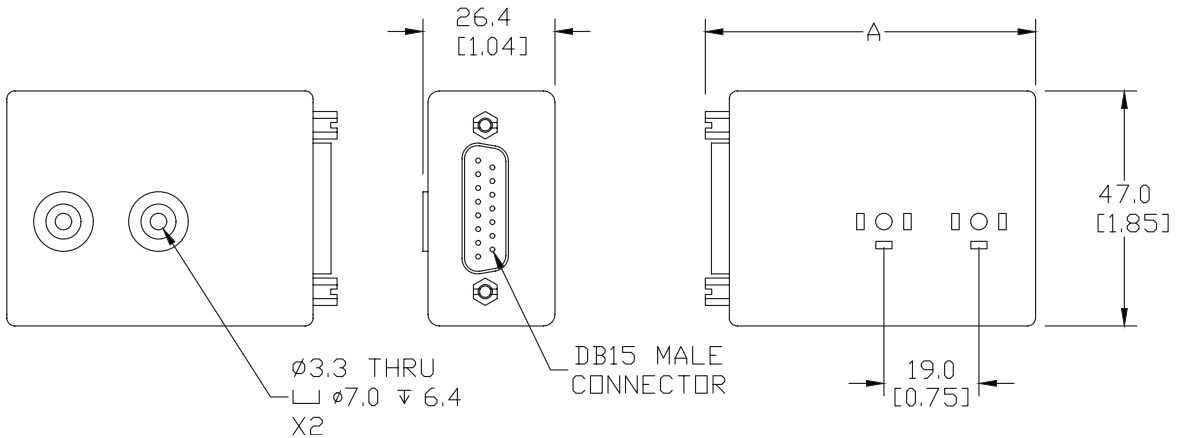
Part No. AVPS1-6A

AVS-31 and AVS-51 Series Control Distribution Blocks					
Part No.	Voltage	Stations	Dimension "A" in [mm]	Price	Weight (lbs)
AVPS1-2A	AC	2	2.60 [66.0]		0.2
AVPS1-2D	DC				
AVPS1-4A	AC	4	4.09 [104.0]		0.3
AVPS1-4D	DC				
AVPS1-6A	AC	6	5.59 [142.0]		0.3
AVPS1-6D	DC				
AVPS1-8A	AC	8	7.09 [180.0]		0.4
AVPS1-8D	DC				

Dimensions

mm [inches]

AVPS1-XX Series



See our website for complete Engineering drawings.



AVS-32 and AVS-52 Series Control Distribution Blocks



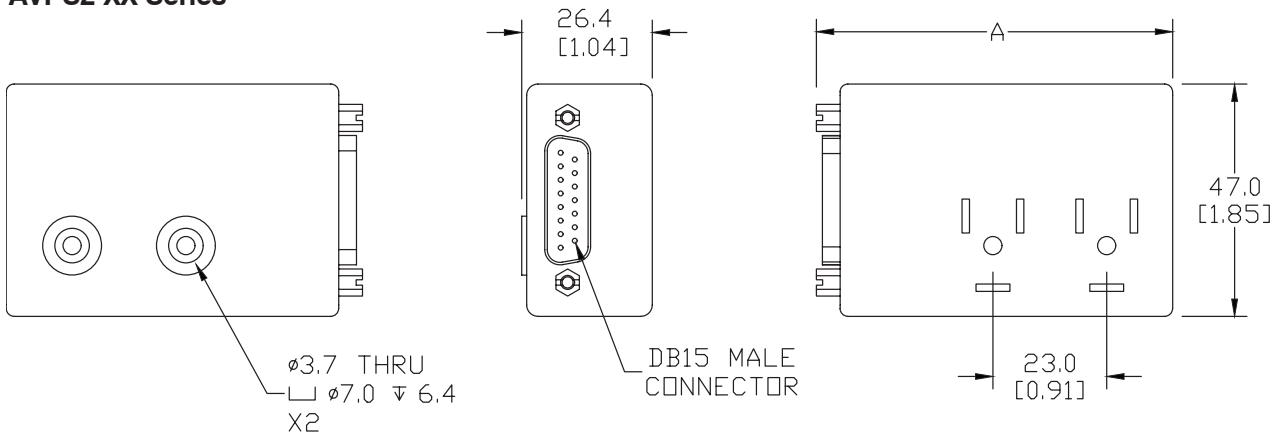
Part No. AVPS2-6A

AVS-32 and AVS-52 Series Control Distribution Blocks					
Part No.	Voltage	Stations	Dimension "A" in [mm]	Price	Weight (lbs)
AVPS2-2A	AC	2	2.84 [72.1]		0.2
AVPS2-2D	DC				0.2
AVPS2-4A	AC	4	4.65 [118.1]		0.3
AVPS2-4D	DC				0.3
AVPS2-6A	AC	6	6.46 [164.1]		0.3
AVPS2-6D	DC				0.3
AVPS2-8A	AC	8	8.27 [210.1]		0.4
AVPS2-8D	DC				0.4

Dimensions

mm [inches]

AVPS2-XX Series



See our website for complete Engineering drawings.



AVS-33 and AVS-53 Series Control Distribution Blocks



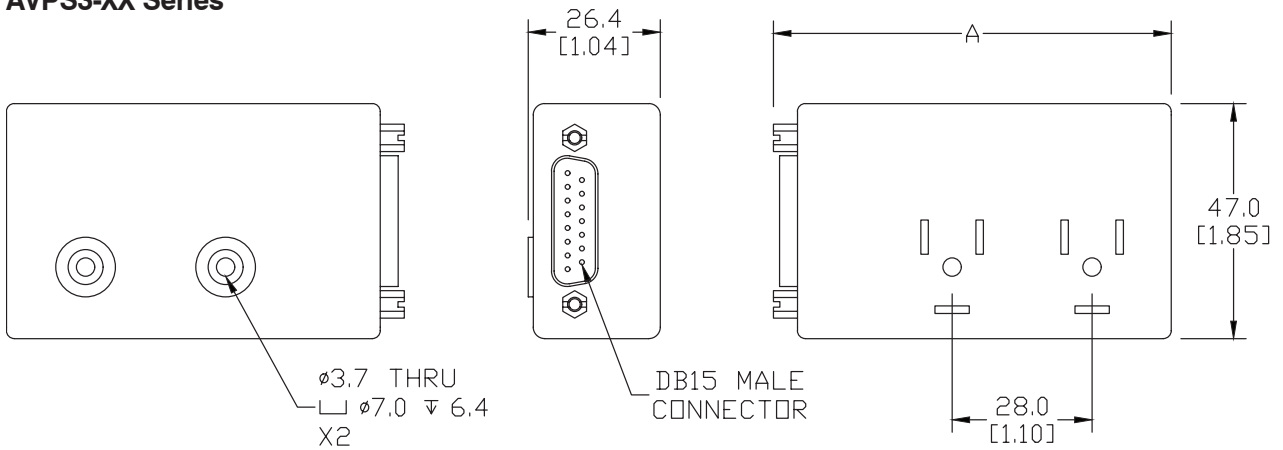
Part No. AVPS3-6A

AVS-33 and AVS-53 Series Control Distribution Blocks					
Part No.	Voltage	Stations	Dimension "A" in [mm]	Price	Weight (lbs)
AVPS3-2A	AC	2	3.13 [79.5]		0.2
AVPS3-2D	DC				0.2
AVPS3-4A	AC	4	5.33 [135.5]		0.3
AVPS3-4D	DC				0.3
AVPS3-6A	AC	6	7.54 [191.5]		0.3
AVPS3-6D	DC				0.3
AVPS3-8A	AC	8	9.74 [247.5]		0.4
AVPS3-8D	DC				0.4

Dimensions

mm [inches]

AVPS3-XX Series



See our website for complete Engineering drawings.



AVS-54 Series Control Distribution Blocks



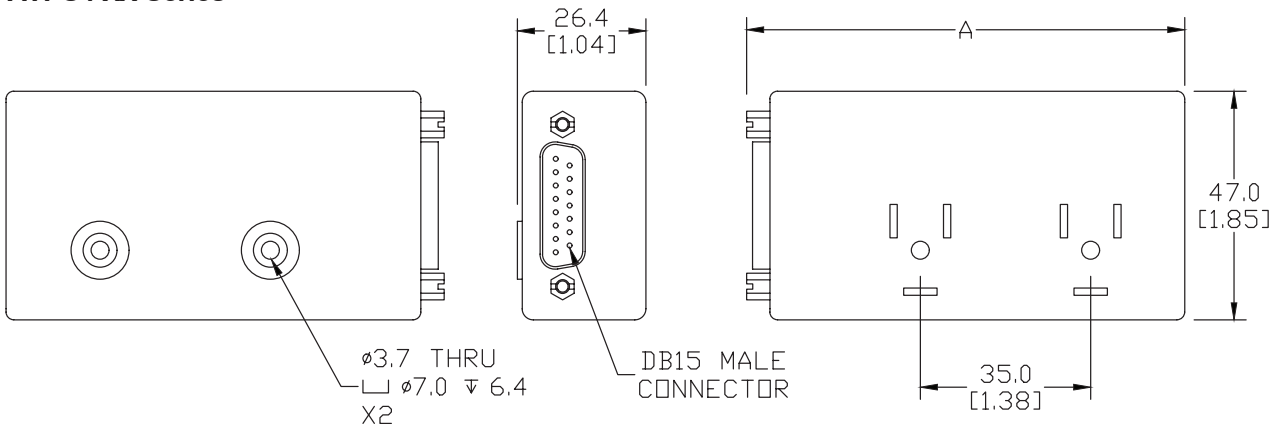
Part No. AVPS4-6A

AVS-54 Series Control Distribution Blocks					
Part No.	Voltage	Stations	Dimension "A" in [mm]	Price	Weight (lbs)
AVPS4-2A	AC	2	3.54 [90.0]		0.2
AVPS4-2D	DC				0.2
AVPS4-4A	AC	4	6.30 [160.0]		0.3
AVPS4-4D	DC				0.3
AVPS4-6A	AC	6	9.06 [230.0]		0.3
AVPS4-6D	DC				0.3
AVPS4-8A	AC	8	11.81 [300.0]		0.4
AVPS4-8D	DC				0.4

Dimensions

mm [inches]

AVPS4-XX Series



See our website for complete Engineering drawings.

AVPS Series Control Distribution Blocks Accessories



Part No. AVPS1-BP



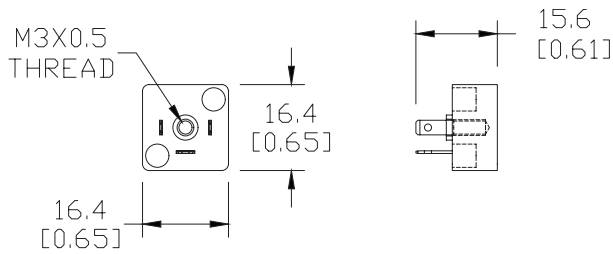
Part No. AVPS2-BP

AVPS Series Control Distribution Blocks Accessories			
Part No.	Description	Price	Weight (lbs)
AVPS1-BP	NITRA blanking plug, for use with AVPS1-x control distribution blocks.		0.2
AVPS2-BP	NITRA blanking plug, for use with AVPS2-x, AVPS3-x and AVPS4-x control distribution blocks.		0.3

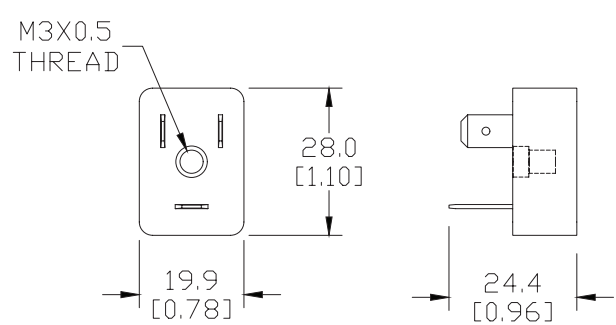
Dimensions

mm [inches]

APVS1-BP



APVS2-BP



See our website for complete Engineering drawings.