

# CLICK PLUS Option Slot Module Specifications

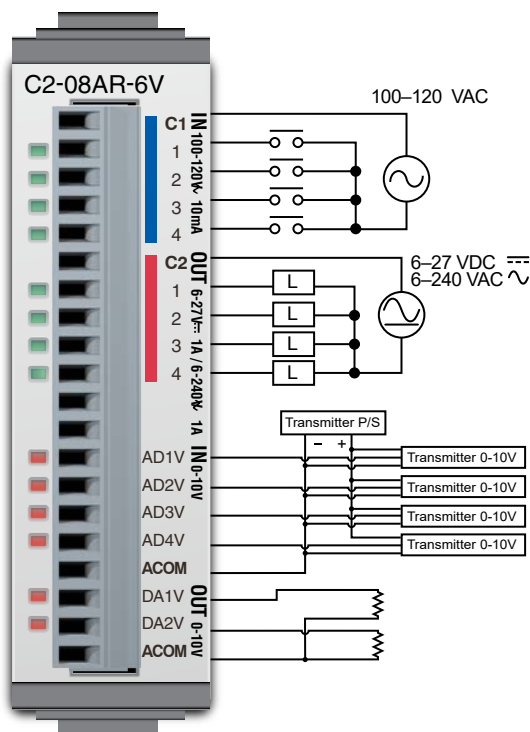
## C2-08AR-6V

**4 AC Input / 4 Relay Output**  
**4 Analog Voltage Input**  
**2 Analog Voltage Output**  
**Option Slot I/O Module**



**NOTE:** Use this module and a CLICK PLUS CPU as a comparable replacement for the existing C0-12ARE-2-D PLC.

### Wiring Diagram



← See Discrete I/O Specifications Inputs (X1 – X4)

← See Discrete I/O Specifications Outputs (Y1 – Y4)

← See Analog I/O Specifications Voltage Inputs (AD1V – AD4V)

← See Analog I/O Specifications Voltage Outputs (DA1V – DA2V)



**NOTE:** There are no **ZIPLink** pre-wired PLC connection cables and modules for the Analog Option Slot Modules (cannot mix discrete I/O and analog I/O signals in a **ZIPLink** cable).

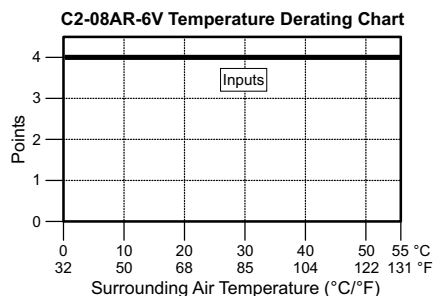
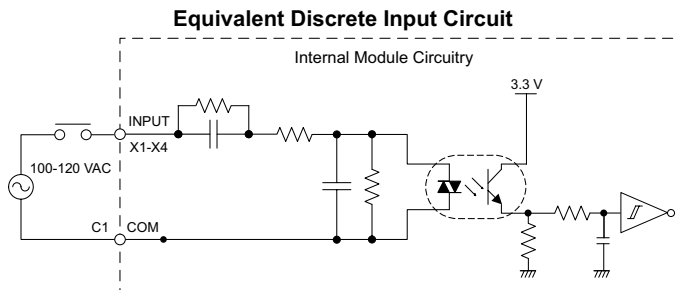
General Specifications	
Current Consumption at 24VDC	100mA max (All Points On)
Terminal Block Replacement Part No.	<a href="#">C0-16TB</a>
Weight	58g

# CLICK PLUS Option Slot Module Specifications

## C2-08AR-6V (cont'd)

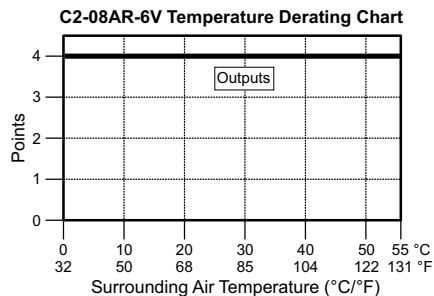
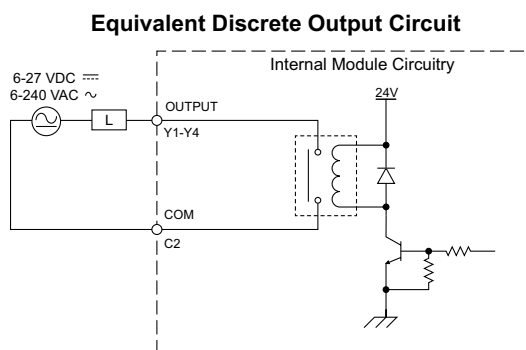
### X1 - X4

Discrete I/O Specifications - Inputs	
<b>Inputs per Module</b>	4
<b>Operating Voltage Range</b>	100-120 VAC
<b>AC Frequency</b>	47-63 Hz
<b>Input Current</b>	Typ 8.5 mA @ 100VAC (50Hz) Typ 10mA @100VAC (60Hz)
<b>Max. Input Current</b>	16mA @ 144VAC
<b>Input Impedance</b>	15kΩ @ 50Hz 12kΩ @ 60Hz
<b>ON Voltage Level</b>	> 60VAC
<b>OFF Voltage Level</b>	< 20VAC
<b>Minimum ON Current</b>	5mA
<b>Maximum OFF Current</b>	2mA
<b>OFF to ON Response</b>	< 40ms
<b>ON to OFF Response</b>	< 40ms
<b>Status Indicators</b>	Logic Side (4 points, green LED)
<b>Commons</b>	1 (4 points/common)



### Y1 - Y4

Discrete I/O Specifications - Outputs	
<b>Outputs per Module</b>	4
<b>Operating Voltage Range</b>	6-27 VDC, 6-240 VAC
<b>Output Type</b>	Relay, form A (SPST)
<b>AC Frequency</b>	47-63 Hz
<b>Maximum Current</b>	1A/point (resistive)
<b>Minimum Load Current</b>	5mA @ 5VDC
<b>Maximum Inrush Current</b>	3A for 10ms
<b>OFF to ON Response</b>	< 15ms
<b>ON to OFF Response</b>	< 15ms
<b>Status Indicators</b>	Logic Side (4 points, red LED)
<b>Commons per Module</b>	1 (4 points/common)



Typical Relay Life (Operations) at Room Temperature	
Voltage & Load Type	Load Current: 1 A
30VDC Resistive	200,000 cycles*
30VDC Inductive	100,000 cycles*
250VAC Resistive	200,000 cycles*
250VAC Inductive	50,000 cycles*

\*ON to OFF = 1 cycle

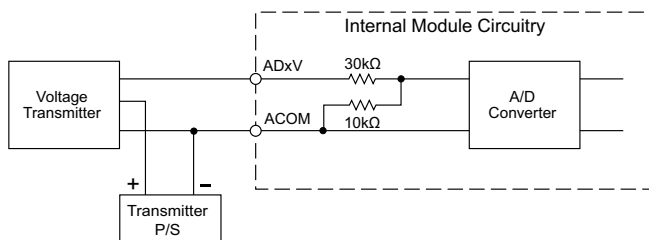
# CLICK PLUS Option Slot Module Specifications

## C2-08AR-6V (cont'd)

### AD1V - AD4V

Analog Specifications - Voltage Input	
<b>Inputs per Module</b>	4 (voltage)
<b>Input Range</b>	0–10 VDC
<b>Resolution</b>	12-bit
<b>Conversion Time</b>	50ms
<b>Input Impedance</b>	40kΩ
<b>Input Stability</b>	±2 LSB maximum
<b>Full-Scale Calibration Error</b>	±2% maximum
<b>Offset Calibration Error</b>	±25mV maximum
<b>Accuracy vs. Temperature Error</b>	±100ppm / °C maximum

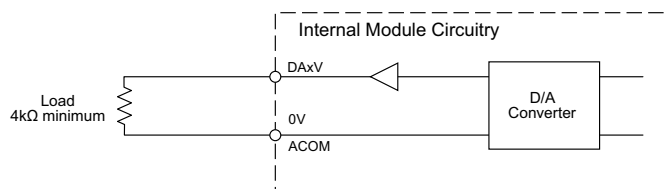
Analog Voltage Input Circuit



### DA1V - DA2V

Analog Specifications - Voltage Output	
<b>Outputs per Module</b>	2 (voltage)
<b>Output Range</b>	0–10 VDC
<b>Resolution</b>	12-bit
<b>Conversion Time</b>	1ms
<b>Load Impedance</b>	4kΩ minimum (output current 2.5 mA maximum)
<b>Full-Scale Calibration Error</b>	±2% maximum
<b>Offset Calibration Error</b>	±25mV maximum
<b>Accuracy vs. Temperature Error</b>	±100ppm / °C maximum

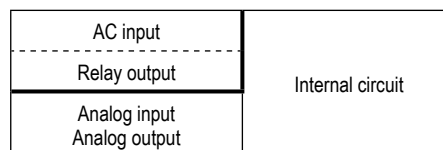
Analog Voltage Output Circuit



### INSULATION

Basic insulation is provided between AC input terminal and Relay output terminal. In order to comply with IEC/UL 61010-2-201, please externally provide an isolation with basic insulation in front of the AC input terminal.

Basic insulation requires a clearance distance of 1.5 mm or more, a creepage distance of 2.5 mm or more, and dielectric voltage withstand of 1500Vrms.



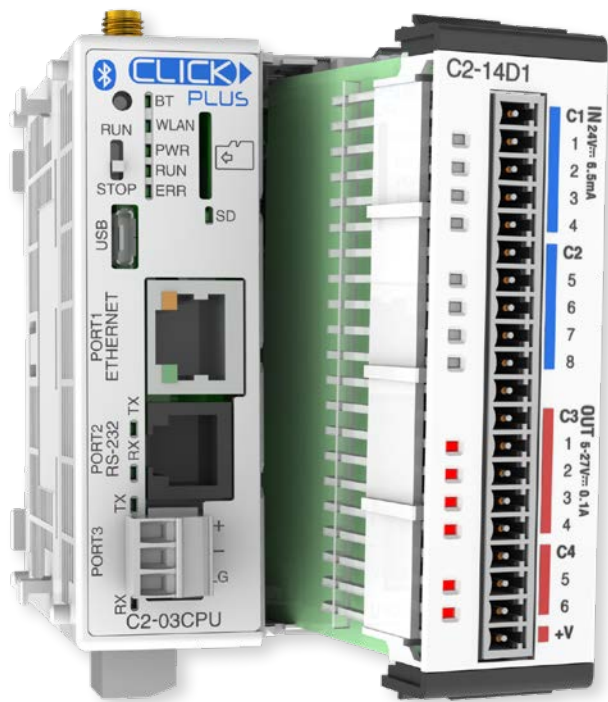
- : No insulation
- - - : Basic insulation
- : Reinforced insulation

# CLICK PLUS Option Slot Module Specifications

## General Specifications For All CLICK PLUS Option Slot Modules

These general specifications apply to all CLICK PLUS Option Slot Modules. Please refer to the appropriate I/O temperature derating charts under the Option Slot module and Stackable I/O module specifications to determine best operating conditions based on the ambient temperature of your particular application.

Option Slot Module General Specifications	
<b>Operating Temperature</b>	32°F to 131°F (0°C to 55°C)
<b>Storage Temperature</b>	-4°F to 158°F (-20°C to 70°C) IEC 60068-2-1 (Test Ab, Cold) IEC 60068-2-2 (Test Bb, Dry Heat) IEC 60068-2-14 (Test Na, Thermal Shock)
<b>Ambient Humidity</b>	30% to 95% relative humidity (non-condensing)
<b>Environmental Air</b>	No corrosive gases. Environmental pollution level is 2 (UL840)
<b>Environment</b>	For Indoor Use Only
<b>Vibration</b>	IEC60068-2-6 (Test Fc) 5-9Hz:3.5mm amplitude, 9-150Hz 1.0G 10 sweep cycles per axis on each of 3 mutually perpendicular axes.
<b>Shock</b>	IEC60068-2-27 (Test Ea) 15G peak, 11ms duration, 3 shocks in each direction per axis, on 3 mutually perpendicular axes.
<b>Noise Immunity</b>	<EN61131-2> EN61000-4-2 (ESD) EN61000-4-3 (RFI) EN61000-4-4 (FTB) EN61000-4-6 (Conducted) EN61000-4-8 (Power frequency magnetic field immunity) <Local Test> Impulse Immunity : 1000V @ 1uS pulse
<b>Emissions</b>	EN55011 Class A (Radiated RF emission)
<b>Agency Approvals</b>	UL61010 (File No. E157382, E316037); CE (EN61131-2); CUL Canadian C22.2
<b>Other</b>	RoHS 2011/65/EU Amendment (EU)2015/863



# CLICK PLUS PLC Specifications

## CLICK PLUS PLC Hardware/Software Compatibility

The table below shows the minimum software and hardware versions required for the CLICK PLUS PLCs and Option Slot Modules. The CLICK PLUS PLC can also utilize the CLICK Stackable I/O Modules, as any software and hardware version compatible with CLICK PLUS is also compatible with the CLICK Stackable I/O Modules.

CLICK PLUS PLC Features Software Compatibility					
Device Type	Part Number	Minimum CLICK Software Version			
		Hardware	High-Speed Inputs	EtherNet/IP	PID, DHCP, DNS, SNTP, MQTT
CLICK PLUS CPU	<a href="#">C2-01CPU</a>	v3.00	v3.00	v3.00	v3.00
	<a href="#">C2-02CPU</a>			N/A	
	<a href="#">C2-03CPU</a>			v3.00	
Option Slot I/O Modules	<a href="#">C2-14D1</a>	v3.00	v3.00	N/A	N/A
	<a href="#">C2-14D2</a>				
	<a href="#">C2-14DR</a>				
	<a href="#">C2-14AR</a>		N/A		
	<a href="#">C2-08D1-4VC</a>	v3.00	v3.00	N/A	N/A
	<a href="#">C2-08D2-4VC</a>				
	<a href="#">C2-08DR-4VC</a>				
	<a href="#">C2-08AR-4VC</a>		N/A		
	<a href="#">C2-08D1-6C</a>	v3.00	v3.00	N/A	N/A
	<a href="#">C2-08D2-6C</a>				
	<a href="#">C2-08DR-6C</a>				
	<a href="#">C2-08AR-6C</a>		N/A		
	<a href="#">C2-08D1-6V</a>	v3.00	v3.00	N/A	N/A
	<a href="#">C2-08D2-6V</a>				
	<a href="#">C2-08DR-6V</a>				
<a href="#">C2-08AR-6V</a>		N/A			

# Accessories

## **C2-USER-M**

### **CLICK PLUS PLC Hardware User Manual**

Manual covers all CLICK PLUS PLC and I/O module installation and wiring, specifications, error codes and troubleshooting guide. The CLICK PLUS PLC Hardware User Manual can be downloaded free at the AutomationDirect Web site; [www.automationdirect.com](http://www.automationdirect.com)



## **C0-USER-M**

### **CLICK PLC Hardware User Manual**

Manual covers all CLICK PLC and I/O module installation and wiring, specifications, error codes and troubleshooting guide. The CLICK PLC Hardware User Manual can be downloaded free at the AutomationDirect Web site; [www.automationdirect.com](http://www.automationdirect.com)



## **C0-PGMSW**

### **Programming Software CD-ROM**

The programming software can be downloaded free at the AutomationDirect Web site, or the CD can be purchased from the AutomationDirect online Web store. [www.automationdirect.com](http://www.automationdirect.com)



## **EA-MG-PGM-CBL**

### **PC to Panel Programming Cable Assembly for C-more Micro-Graphic Panels and CLICK/CLICK PLUS PLCs**

The 6ft cable assembly connects a personal computer to any **C-more** Micro-Graphic panel, CLICK PLC, or select CLICK PLUS PLC for setup and programming.

*Note: This cable assembly uses the PC's USB port and converts the signals to serial transmissions. The USB port supplies 5VDC to the Micro-Graphic panel for configuration operations.*

Assembly includes standard USB A-type connector to B-type connector cable, custom converter, and a RS232C cable with RJ12 modular connector on each end.



## **USB-CBL-AMICB6**

### **USB A to USB micro B Programming Cable Assembly (CLICK PLUS Only)**

Programming Cable, USB A to USB micro B, 6ft. (1.83 m) length. For use with CLICK PLUS PLCs and most USB devices. The USB port supplies 5VDC to the CLICK PLUS CPU for programming.



## **D2-DSCBL**

### **Programming Cable for CLICK/CLICK PLUS and DirectLOGIC PLCs**

12ft. (3.66 m) RS232 shielded PC programming cable for CLICK, select CLICK PLUS PLCs, DL05, DL06, DL105, DL205, D3-350, D4-450, D4-454, and Do-more H2 and T1H series CPUs. 9-pin D-shell female connector to an RJ12 6P6C connector.



*Note: If your PC has a USB port but does not have a serial port, you must use programming cable [EA-MG-PGM-CBL](#) to connect to CLICK PLCs. For CLICK PLUS PLCs, you may also use [USB-CBL-AMICB6](#)*

## **C0-3TB**

### **Spare 3-Pole Terminal Block**

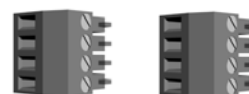
Replacement 3-pole terminal block for the 3-wire RS-485 Port 3 on CLICK Standard and Analog PLCs as well as the CLICK PLUS [C2-03CPU](#). Sold in packs of 2.



## **C0-4TB**

### **Spare 24VDC Power Terminal Block**

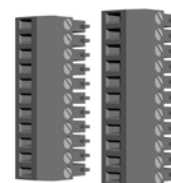
Replacement terminal block for the 24VDC supply power to the PLC. Sold in packs of 2.



## **C0-8TB**

### **Spare 8-Point I/O Terminal Block**

Replacement terminal block for the 8-point I/O modules. Sold in packs of 2.



## **C0-8TB-1**

### **Spare 13-Point I/O Terminal Block**

Replacement terminal block for the 8-point I/O relay modules. Sold in packs of 2.



## **C0-16TB**

### **Spare 16-Point I/O Terminal Block**

Replacement terminal block for the 16-point I/O modules and PLC built-in I/O. Sold in packs of 2.

