

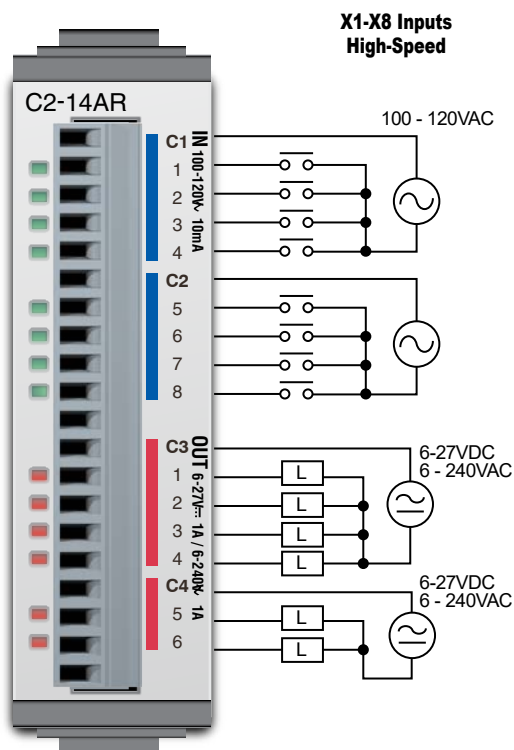
# CLICK PLUS Option Slot Module Specifications

## C2-14AR

### 8 AC Input/6 Relay Output Option Slot I/O Module

8-point 100–120 VAC input, 6-point Form A SPST relay output module, removable terminal block included (replacement AutomationDirect p/n [C0-16TB](#)).

#### Wiring Diagram



#### Z/PLink Pre-Wired PLC Connection Cables and Modules

**ZL-RTB20** 20-pin  
feed-through  
connector module



20-pin connector cable  
**ZL-C0-CBL20** (0.5 m length)  
**ZL-C0-CBL20-1** (1.0 m length)  
**ZL-C0-CBL20-2** (2.0 m length)



**NOTE:** Use this module and a CLICK PLUS CPU as a comparable replacement for the existing [C0-11ARE-D](#) PLC.

### I/O Specifications - Inputs

<b>Inputs per Module</b>	8
<b>Operating Voltage Range</b>	100–120 VAC
<b>Input Voltage Range</b>	80–144 VAC
<b>AC Frequency</b>	47–63 Hz
<b>Input Current</b>	8.5 mA @ 100VAC at 50Hz 10mA @ 100VAC at 60Hz
<b>Maximum Input Current</b>	16mA @ 144VAC
<b>Input Impedance</b>	15kΩ @ 50Hz 12kΩ @ 60Hz
<b>Input Frequency (Max)</b>	X1-X8: 100kHz
<b>ON Voltage Level</b>	> 60VAC
<b>OFF Voltage Level</b>	< 20VAC
<b>Minimum ON Current</b>	5mA
<b>Maximum OFF Current</b>	2mA
<b>OFF to ON Response</b>	< 40ms
<b>ON to OFF Response</b>	< 40ms
<b>Status Indicators</b>	Logic Side (8 points, green LED)
<b>Commons</b>	2 (4 points/common) Isolated

### I/O Specifications - Outputs

<b>Outputs per Module</b>	6
<b>Operating Voltage Range</b>	6–27 VDC / 6–240 VAC
<b>Output Type</b>	Relay, form A (SPST)
<b>AC Frequency</b>	47–63 Hz
<b>Maximum Current</b>	1A/point (resistive) C3: 4A/common; C4: 2A/common
<b>Minimum Load Current</b>	5mA @ 5VDC
<b>Maximum Inrush Current</b>	3A for 10ms
<b>OFF to ON Response</b>	< 15ms
<b>ON to OFF Response</b>	< 15ms
<b>Status Indicators</b>	Logic Side (6 points, red LED)
<b>Commons per Module</b>	2 (4 points or 2 points / common)

### General Specifications

<b>Current Consumption at 24VDC</b>	75mA max (All Points On)
<b>Terminal Block Replacement Part No.</b>	<a href="#">C0-16TB</a>
<b>Weight</b>	63g

### Typical Relay Life (Operations) at Room Temperature

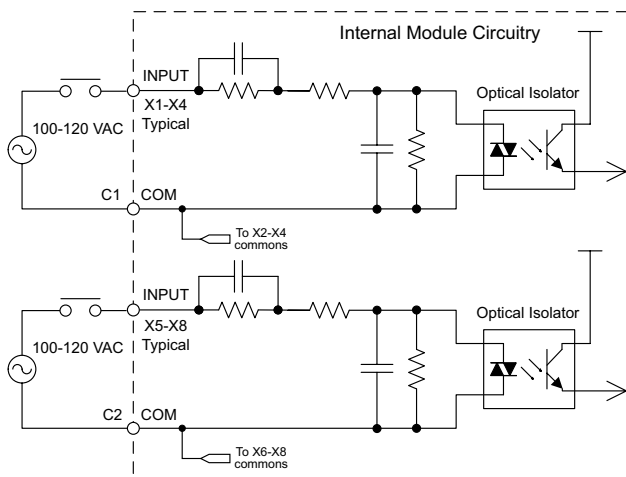
Voltage & Load Type	Relay Life*
30VDC Resistive	200,000 cycles
30VDC Inductive	100,000 cycles
250VAC Resistive	200,000 cycles
250VAC Inductive	50,000 cycles

\*ON to OFF = 1 cycle

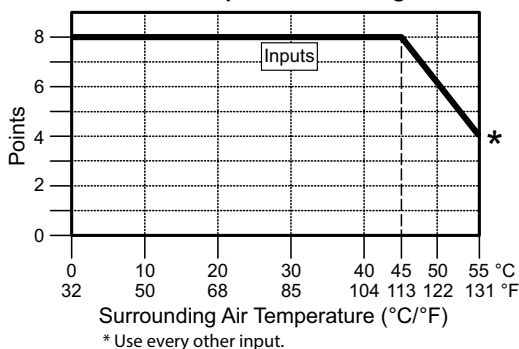
# CLICK PLUS Option Slot Module Specifications

## C2-14AR (cont'd)

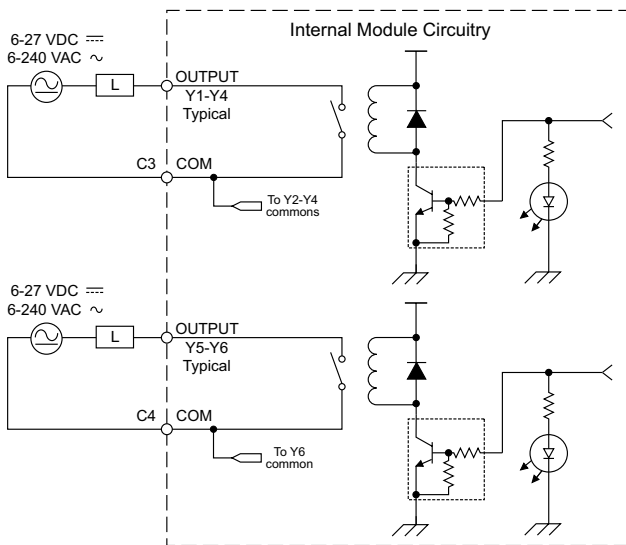
### Equivalent Input Circuit



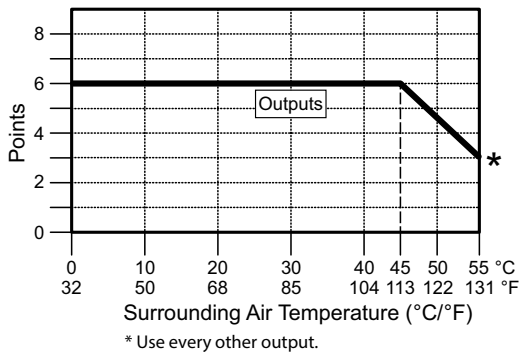
C2-14AR Temperature Derating Chart



### Equivalent Output Circuit



C2-14AR Temperature Derating Chart



### INSULATION

Basic insulation is provided between AC input terminal and Relay output1 terminal. In order to comply with IEC/UL 61010-2-201, please externally provide an isolation with basic insulation in front of the AC input terminals. Basic Insulation is provided between Relay output1 terminal and Relay output2 terminal. In order to comply with IEC/UL 61010-2-201, if either of them is connected to a circuit that exceeds 30V, insert a transformer with basic insulation or more in front of the circuit that is 30V or less.

Basic insulation requires a clearance distance of 1.5 mm or more, a creepage distance of 2.5 mm or more, and dielectric voltage withstand of 1500Vrms.

AC input1 (X1-X4)	Internal circuit
AC input2 (X5-X8)	
Relay output1 (Y1-Y4)	
Relay output2 (Y5-Y6)	

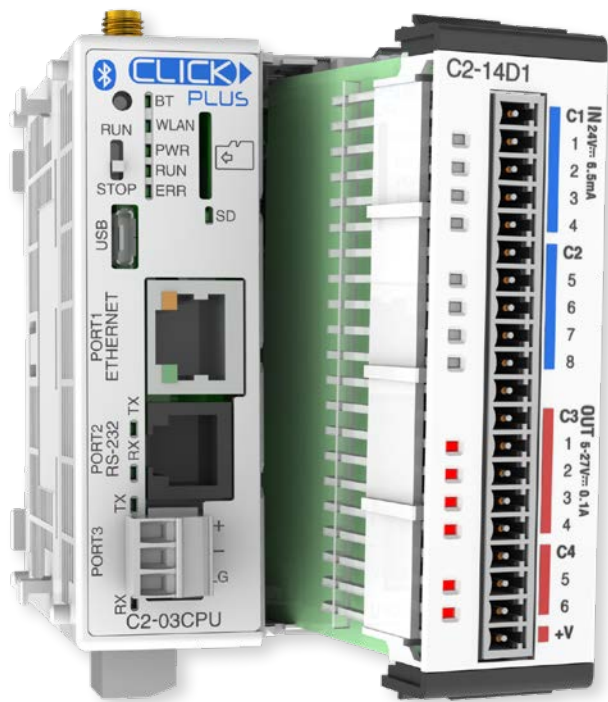
- : No insulation
- - - - - : Basic insulation
- : Reinforced insulation

# CLICK PLUS Option Slot Module Specifications

## General Specifications For All CLICK PLUS Option Slot Modules

These general specifications apply to all CLICK PLUS Option Slot Modules. Please refer to the appropriate I/O temperature derating charts under the Option Slot module and Stackable I/O module specifications to determine best operating conditions based on the ambient temperature of your particular application.

Option Slot Module General Specifications	
<b>Operating Temperature</b>	32°F to 131°F (0°C to 55°C)
<b>Storage Temperature</b>	-4°F to 158°F (-20°C to 70°C) IEC 60068-2-1 (Test Ab, Cold) IEC 60068-2-2 (Test Bb, Dry Heat) IEC 60068-2-14 (Test Na, Thermal Shock)
<b>Ambient Humidity</b>	30% to 95% relative humidity (non-condensing)
<b>Environmental Air</b>	No corrosive gases. Environmental pollution level is 2 (UL840)
<b>Environment</b>	For Indoor Use Only
<b>Vibration</b>	IEC60068-2-6 (Test Fc) 5-9Hz:3.5mm amplitude, 9-150Hz 1.0G 10 sweep cycles per axis on each of 3 mutually perpendicular axes.
<b>Shock</b>	IEC60068-2-27 (Test Ea) 15G peak, 11ms duration, 3 shocks in each direction per axis, on 3 mutually perpendicular axes.
<b>Noise Immunity</b>	<EN61131-2> EN61000-4-2 (ESD) EN61000-4-3 (RFI) EN61000-4-4 (FTB) EN61000-4-6 (Conducted) EN61000-4-8 (Power frequency magnetic field immunity) <Local Test> Impulse Immunity : 1000V @ 1uS pulse
<b>Emissions</b>	EN55011 Class A (Radiated RF emission)
<b>Agency Approvals</b>	UL61010 (File No. E157382, E316037); CE (EN61131-2); CUL Canadian C22.2
<b>Other</b>	RoHS 2011/65/EU Amendment (EU)2015/863



# CLICK PLUS PLC Specifications

## CLICK PLUS PLC Hardware/Software Compatibility

The table below shows the minimum software and hardware versions required for the CLICK PLUS PLCs and Option Slot Modules. The CLICK PLUS PLC can also utilize the CLICK Stackable I/O Modules, as any software and hardware version compatible with CLICK PLUS is also compatible with the CLICK Stackable I/O Modules.

CLICK PLUS PLC Features Software Compatibility					
Device Type	Part Number	Minimum CLICK Software Version			
		Hardware	High-Speed Inputs	EtherNet/IP	PID, DHCP, DNS, SNTP, MQTT
CLICK PLUS CPU	<a href="#">C2-01CPU</a>	v3.00	v3.00	v3.00	v3.00
	<a href="#">C2-02CPU</a>			N/A	
	<a href="#">C2-03CPU</a>			v3.00	
Option Slot I/O Modules	<a href="#">C2-14D1</a>	v3.00	v3.00	N/A	N/A
	<a href="#">C2-14D2</a>				
	<a href="#">C2-14DR</a>				
	<a href="#">C2-14AR</a>		N/A		
	<a href="#">C2-08D1-4VC</a>	v3.00	v3.00	N/A	N/A
	<a href="#">C2-08D2-4VC</a>				
	<a href="#">C2-08DR-4VC</a>				
	<a href="#">C2-08AR-4VC</a>		N/A		
	<a href="#">C2-08D1-6C</a>	v3.00	v3.00	N/A	N/A
	<a href="#">C2-08D2-6C</a>				
	<a href="#">C2-08DR-6C</a>				
	<a href="#">C2-08AR-6C</a>		N/A		
	<a href="#">C2-08D1-6V</a>	v3.00	v3.00	N/A	N/A
	<a href="#">C2-08D2-6V</a>				
	<a href="#">C2-08DR-6V</a>				
<a href="#">C2-08AR-6V</a>		N/A			

# **ZIPLINK™** Wiring System for CLICK PLC Family

**AutomationDirect.com**

## Wiring Solutions using the ZIPLink Wiring System

**ZIPLinks** eliminate the normally tedious process of wiring between devices by utilizing prewired cables and DIN rail mount connector modules. It's as simple as plugging in a cable connector at either end or terminating wires at only one end. Prewired cables keep installation clean and efficient, using half the space at a fraction of the cost of standard terminal blocks.

**ZIPLinks** are available in a variety of styles to suit your needs, including feedthrough connector module. **ZIPLinks** are available for all Basic, Standard and Ethernet CLICK PLC units, select CLICK PLUS option slot modules, and most discrete and analog stackable I/O modules. Pre-printed I/O-specific adhesive label strips for quick marking of **ZIPLink** modules are provided with **ZIPLink** cables.



### **Solution 1: CLICK PLC, CLICK PLUS PLC with Option Slot Module, and Stackable I/O Modules to ZIPLink Connector Modules**

When looking for quick and easy I/O-to-field termination, a **ZIPLink** connector module used in conjunction with a prewired **ZIPLink** cable, consisting of an I/O terminal block at one end and a multi-pin connector at the other end, is the best solution.

Use the "CLICK PLC Unit **ZIPLink** Selector" table and CLICK I/O **ZIPLink** selector tables located in this section:

- Locate your PLC or I/O module.
- Select a **ZIPLink** Module.
- Select a corresponding **ZIPLink** Cable.

### **Solution 2: CLICK/CLICK PLUS PLC I/O to 3rd Party Devices**

When wanting to connect PLC I/O (built-in, option slot module, or stackable) to another device within close proximity, no extra terminal blocks are necessary when using the **ZIPLink** Pigtail Cables. **ZIPLink** Pigtail Cables are prewired to an I/O terminal block with color-coded pigtail with soldered-tip wires on the other end.

Use the I/O Modules to 3rd Party Devices selector tables located in the **ZIPLink** section:

- Locate your PLC or I/O module.
- Select a **ZIPLink** Pigtail Cable that is compatible with your 3rd party device



### **Solution 3: GS Series and DuraPulse Drives Communication Cables**

Need to communicate via Modbus RTU to a drive or a network of drives?

**ZIPLink** cables are available in a wide range of configurations for connecting to PLCs and SureServo, SureStep, Stellar Soft Starter and AC drives. Add a **ZIPLink** communications module to quickly and easily set up a multi-device network.

Use the Drives Communication selector tables located in the **ZIPLink** section:

- Locate your Drive and type of communications.
- Select a **ZIPLink** cable and other associated hardware.



### **Solution 4: Serial Communications Cables**

**ZIPLink** offers communications cables for use with CLICK PLCs and select CLICK PLUS PLCs that can also be used with other communications devices. Connections include a 6-pin RJ12 connector which can be used in conjunction with the RJ12 Feedthrough module.

Use the Serial Communications Cables selector table located in the **ZIPLink** section:

- Locate your connector type
- Select a cable.





# Wiring System for CLICK PLC Family

## CLICK PLC & CLICK PLUS Option Slot ZIPLink Selector

PLC or Option Slot Module		ZIPLink			
CLICK PLC Unit	CLICK PLUS Option Slot Module	# of Terms	Component	Module Part No.	Cable Part No.
C0-00DD1-D	NA	20	Feedthrough	ZL-RTB20, ZL-RTB20-1	ZL-C0-CBL20 *
C0-00DD2-D	NA				
C0-00DR-D	NA				
C0-00AR-D	NA				
C0-01DD1-D	NA				
C0-01DD2-D	NA				
C0-01DR-D	NA				
C0-01AR-D	NA				
C0-02DD1-D	NA	No ZIPLinks are available for CLICK Analog PLC units.			
C0-02DD2-D	NA				
C0-02DR-D	NA				
C0-10DD1E-D	NA	20	Feedthrough	ZL-RTB20, ZL-RTB20-1	ZL-C0-CBL20 *
C0-10DD2E-D	NA				
C0-10DRE-D	NA				
C0-10ARE-D	NA				
C0-11DD1E-D	C2-14D1				
C0-11DD2E-D	C2-14D2				
C0-11DRE-D	C2-14DR				
C0-11ARE-D	C2-14AR	No ZIPLinks are available for CLICK Ethernet Analog PLC units or CLICK PLUS Option Slot Modules with analog I/O.			
C0-12DD1E-D	C2-08D1-4VC				
C0-12DD2E-D	C2-08D2-4VC				
C0-12DRE-D	C2-08DR-4VC				
C0-12ARE-D	C2-08AR-4VC				
C0-12DD1E-1-D	C2-08D1-6C				
C0-12DD2E-1-D	C2-08D2-6C				
C0-12DRE-1-D	C2-08DR-6C				
C0-12ARE-1-D	C2-08AR-6C				
C0-12DD1E-2-D	C2-08D1-6V				
C0-12DD2E-2-D	C2-08D2-6V				
C0-12DRE-2-D	C2-08DR-6V				
C0-12ARE-2-D	C2-08AR-6V				

**Table Notes:**

- \* Select the cable length by replacing the \* with: Blank = 0.5 m, -1 = 1.0 m, or -2 = 2.0 m.
- 1 Note: The C0-04TRS relay output is derated not to exceed 2A per point maximum when used with the ZIPLink wiring system.
- 2 Note: Fuses (5 x 20 mm) are not included. See Edison Electronic Fuse section for (5 x 20 mm) fuse. S500 and GMA electronic circuit protection for fast-acting maximum protection. S506 and GMC electronic circuit protection for time-delay performance. Ideal for inductive circuits. To ensure proper operation, do not exceed the voltage and current rating of ZIPLink module. ZL-RFU20 = 2A per circuit.

## CLICK/CLICK PLUS PLC Discrete Input Module ZIPLink Selector

I/O Module		ZIPLink		
Input Module	# of Terms	Component	Module Part No.	Cable Part No.
C0-08SIM	Not supported by ZIPLink			
C0-08ND3	11	Feedthrough	ZL-RTB20	ZL-C0-CBL11 *
C0-08ND3-1				
C0-08NE3				
C0-08NA				
C0-16ND3	20	Feedthrough	ZL-RTB20	ZL-C0-CBL20 *
		Sensor	ZL-LTB16-24-1	
C0-16NE3	20	Feedthrough	ZL-RTB20	
		Sensor	ZL-LTB16-24-1	

## CLICK/CLICK PLUS PLC Discrete Output Module ZIPLink Selector

I/O Module		ZIPLink		
Output Module	# of Terms	Component	Module Part No.	Cable Part No.
C0-08TD1	11	Feedthrough	ZL-RTB20	ZL-C0-CBL11 *
C0-08TD2				
C0-08TR				
C0-08TR-3	Not supported by ZIPLink			
C0-08TA				
C0-16TD1	20	Feedthrough	ZL-RTB20	ZL-C0-CBL20*
		Fuse	ZL-RFU20 2	
		Relay (sinking)	ZL-RRL16-24-1	
C0-16TD2	20	Feedthrough	ZL-RTB20	
		Fuse	ZL-RFU20 2	
		Relay (sourcing)	ZL-RRL16-24-2	
C0-04TRS1	20	Feedthrough	ZL-RTB20	ZL-C0-CBL20*
C0-04TRS-10	Not supported by ZIPLink			

## CLICK/CLICK PLUS PLC Combo I/O Module ZIPLink Selector

I/O Module		ZIPLink		
Combo Module	# of Terms	Component	Module Part No.	Cable Part No.
C0-16CDD1	20	Feedthrough	ZL-RTB20	ZL-C0-CBL20 *
C0-16CDD2				
C0-08CDR	11	Feedthrough	ZL-RTB20	ZL-C0-CBL11 *

## CLICK/CLICK PLUS PLC Analog I/O Module ZIPLink Selector

I/O Module		ZIPLink		
Analog Module	# of Terms	Component	Module Part No.	Cable Part No.
C0-04AD-1	11	Feedthrough	ZL-RTB20	ZL-C0-CBL11 *
C0-04AD-2	11	Feedthrough	ZL-RTB20	ZL-C0-CBL11 *
C0-04RTD	20	No ZIPLinks are available for RTD and thermocouple modules.		
C0-04THM	11			
C0-04DA-1	11	Feedthrough	ZL-RTB20	ZL-C0-CBL11 *
C0-04DA-2	11	Feedthrough	ZL-RTB20	ZL-C0-CBL11 *
C0-4AD2DA-1	20	Feedthrough	ZL-RTB20	ZL-C0-CBL20 *
C0-4AD2DA-2	20	Feedthrough	ZL-RTB20	ZL-C0-CBL20 *

# Accessories

## **C2-USER-M**

### **CLICK PLUS PLC Hardware User Manual**

Manual covers all CLICK PLUS PLC and I/O module installation and wiring, specifications, error codes and troubleshooting guide. The CLICK PLUS PLC Hardware User Manual can be downloaded free at the AutomationDirect Web site; [www.automationdirect.com](http://www.automationdirect.com)



## **C0-USER-M**

### **CLICK PLC Hardware User Manual**

Manual covers all CLICK PLC and I/O module installation and wiring, specifications, error codes and troubleshooting guide. The CLICK PLC Hardware User Manual can be downloaded free at the AutomationDirect Web site; [www.automationdirect.com](http://www.automationdirect.com)



## **C0-PGMSW**

### **Programming Software CD-ROM**

The programming software can be downloaded free at the AutomationDirect Web site, or the CD can be purchased from the AutomationDirect online Web store. [www.automationdirect.com](http://www.automationdirect.com)



## **EA-MG-PGM-CBL**

### **PC to Panel Programming Cable Assembly for C-more Micro-Graphic Panels and CLICK/CLICK PLUS PLCs**

The 6ft cable assembly connects a personal computer to any **C-more** Micro-Graphic panel, CLICK PLC, or select CLICK PLUS PLC for setup and programming.

*Note: This cable assembly uses the PC's USB port and converts the signals to serial transmissions. The USB port supplies 5VDC to the Micro-Graphic panel for configuration operations.*

Assembly includes standard USB A-type connector to B-type connector cable, custom converter, and a RS232C cable with RJ12 modular connector on each end.



## **USB-CBL-AMICB6**

### **USB A to USB micro B Programming Cable Assembly (CLICK PLUS Only)**

Programming Cable, USB A to USB micro B, 6ft. (1.83 m) length. For use with CLICK PLUS PLCs and most USB devices. The USB port supplies 5VDC to the CLICK PLUS CPU for programming.



## **D2-DSCBL**

### **Programming Cable for CLICK/CLICK PLUS and DirectLOGIC PLCs**

12ft. (3.66 m) RS232 shielded PC programming cable for CLICK, select CLICK PLUS PLCs, DL05, DL06, DL105, DL205, D3-350, D4-450, D4-454, and Do-more H2 and T1H series CPUs. 9-pin D-shell female connector to an RJ12 6P6C connector.



*Note: If your PC has a USB port but does not have a serial port, you must use programming cable [EA-MG-PGM-CBL](#) to connect to CLICK PLCs. For CLICK PLUS PLCs, you may also use [USB-CBL-AMICB6](#)*

## **C0-3TB**

### **Spare 3-Pole Terminal Block**

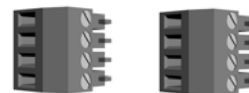
Replacement 3-pole terminal block for the 3-wire RS-485 Port 3 on CLICK Standard and Analog PLCs as well as the CLICK PLUS [C2-03CPU](#). Sold in packs of 2.



## **C0-4TB**

### **Spare 24VDC Power Terminal Block**

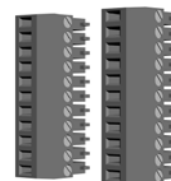
Replacement terminal block for the 24VDC supply power to the PLC. Sold in packs of 2.



## **C0-8TB**

### **Spare 8-Point I/O Terminal Block**

Replacement terminal block for the 8-point I/O modules. Sold in packs of 2.



## **C0-8TB-1**

### **Spare 13-Point I/O Terminal Block**

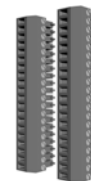
Replacement terminal block for the 8-point I/O relay modules. Sold in packs of 2.



## **C0-16TB**

### **Spare 16-Point I/O Terminal Block**

Replacement terminal block for the 16-point I/O modules and PLC built-in I/O. Sold in packs of 2.



# Accessories

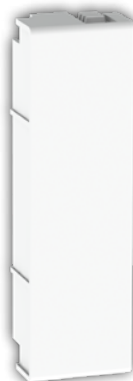
## **SE-ANT250**

**Wi-Fi/Bluetooth Dome Antenna**  
2.4 GHz antenna, IP67, panel mount, 9.8ft (3m) cable length, for external mounting when CLICK PLUS PLC is installed in a metallic enclosure.



## **C2-FILL**

**CPU Option Slot Cover**  
Snap-on cover for CLICK PLUS CPU Option Slot in applications without an Option Slot module present.



## **SE-ANT210**

**Wi-Fi/Bluetooth Whip Antenna**  
Whip/straight 2.4 GHz antenna, IP65, connector mount. Not recommended for installation in a metallic enclosure.



## **D2-BAT-1**

Replacement battery for Standard, Analog, Ethernet Standard and Ethernet Analog PLC units.



## **DN-EB35MN**

**DINector End Bracket**



## **D0-MC-BAT**

Replacement battery for CLICK PLUS PLC units.



**C-more and C-more Micro Graphic Operator Interfaces**



## **DN-WS**

**Wire Stripper**



**ZIPLink Wiring Systems**



## **TW-SD-MSL-2**

**Insulated Slotted Screwdriver**  
0.4 x 2.5 x 80 mm slotted screwdriver for terminal blocks.

