

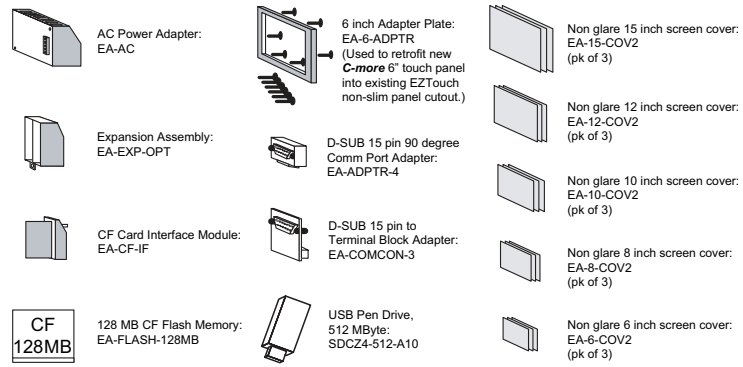
# C-more ACCESSORIES

## Accessories

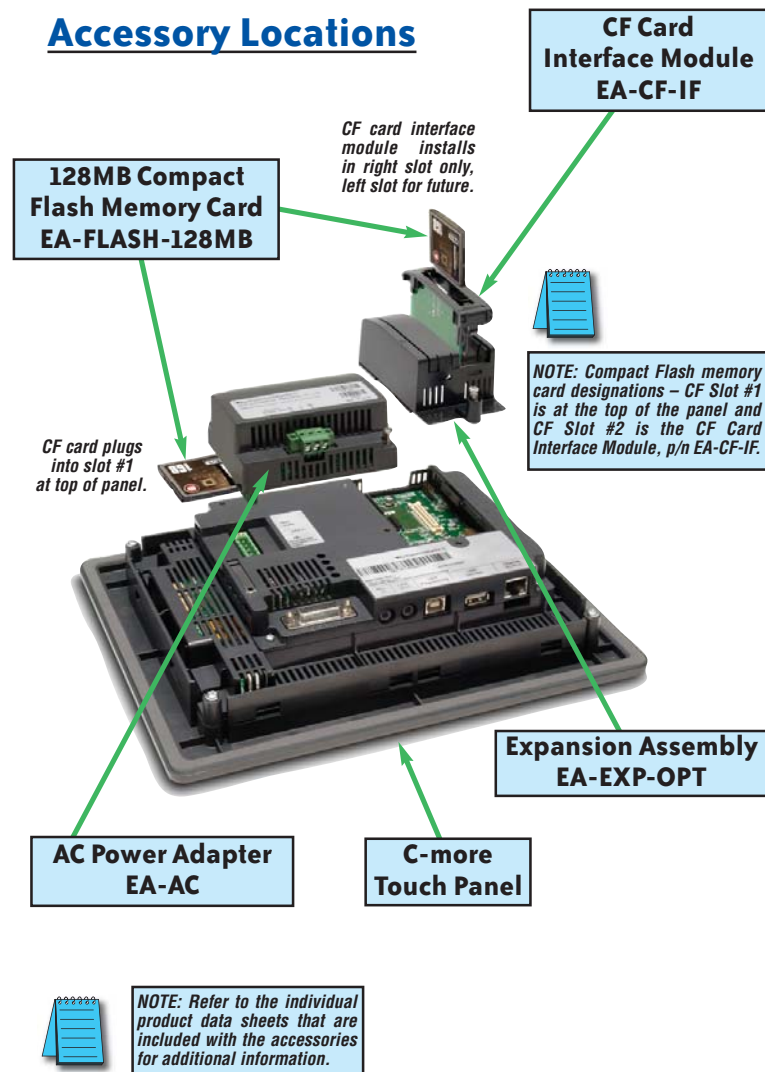
The **C-more** touch panels can be enhanced with the accessories below:

Part Number	Description	Price
<b>EA-AC</b>	AC/DC Adapter for C-more touch panels only; powered from a 100-240 VAC, 50/60 Hertz power source. Provides 24 VDC @ 1.5 A. Power Fault and Power Retention features help protect data being logged to Compact Flash during power failures. Recommended for C-more touch panels.	<--->
<b>EA-EXP-OPT</b>	C-more I/O Module Expansion Assembly, used to hold secondary Compact Flash Adapter (EA-CF-IF) and future option modules.	<--->
<b>EA-CF-IF</b>	Compact Flash Card Adapter Module, used when adding secondary Compact Flash option to Expansion Assembly. Compatible with EA-FLASH-128MB Compact Flash accessory.	<--->
<b>EA-FLASH-128MB</b>	128 MB CF Flash Memory Option, industrial grade, high speed memory for non-volatile storage.	<--->
<b>EA-6-ADPTR</b>	6-inch mounting adapter plate, REQUIRED to mount a 6 inch C-more touch panel into enclosures with legacy thick-bezel EZTouch cutouts. Converts a 8.932 inch x 6.223 inch cutout to 7.522 inch x 5.625 inch cutout.	<--->
<b>EA-ADPTR-4</b>	D-SUB 15-pin 90 degree PLC serial communication port adapter (allows a PLC communication cable to be plugged in at a 90 degree angle to reduce panel depth requirements)	<--->
<b>EA-COMCON-3</b>	D-SUB 15-pin to 6-terminal PLC serial communication port adapter to allow wire terminal connections for RS-422/485 PLC communication cable.	<--->
<b>EA-6-COV2</b>	Non Glare 6 Inch Screen Cover, protective overlay used to protect the touch screen while helping to reduce the glare from external light sources. (pk of 3)	<--->
<b>EA-8-COV2</b>	Non Glare 8 Inch Screen Cover, protective overlay used to protect the touch screen while helping to reduce the glare from external light sources. (pk of 3)	<--->
<b>EA-10-COV2</b>	Non Glare 10-Inch Screen Cover, protective overlay used to protect the touch screen while helping to reduce the glare from external light sources. (pk of 3)	<--->
<b>EA-12-COV2</b>	Non Glare 12-Inch Screen Cover, protective overlay used to protect the touch screen while helping to reduce the glare from external light sources. (pk of 3)	<--->
<b>EA-15-COV2</b>	Non Glare 15-Inch Screen Cover, protective overlay used to protect the touch screen while helping to reduce the glare from external light sources. (pk of 3)	<--->
<b>SDCZ4-512-A10</b>	USB Pen Drive, 512MB, SanDisk Cruzer micro Pen Drive. Compatible with Windows 98SE, ME, 2000, XP and Mac OS 9.1.x+, OS X 10.1.2+ Certified Windows XP and Mac OS X. Contains Unit, sleeve and protective cap, lanyard and keychain loop. Recommended for use with the <b>C-more</b> Operator Touch Panels.	<--->

## Accessories at a glance:



## Accessory Locations



# C-more ACCESSORIES

## AC Power Adapter

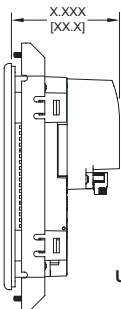
The AC Power Adapter provides dedicated DC power to the panel if using 110 VAC as a power source. The AC power adapter provides some features that a normal DC power supply cannot provide. The adapter incorporates power loss detection that signals the panel in the case of a

power interruption. The panel then sequentially stops all logging to USB and Compact Flash devices and shuts down before all power to the panel is lost. It also allows the panel to set an error flag that can be used to log power interruptions with a time and date stamp.

### Part No. EA-AC



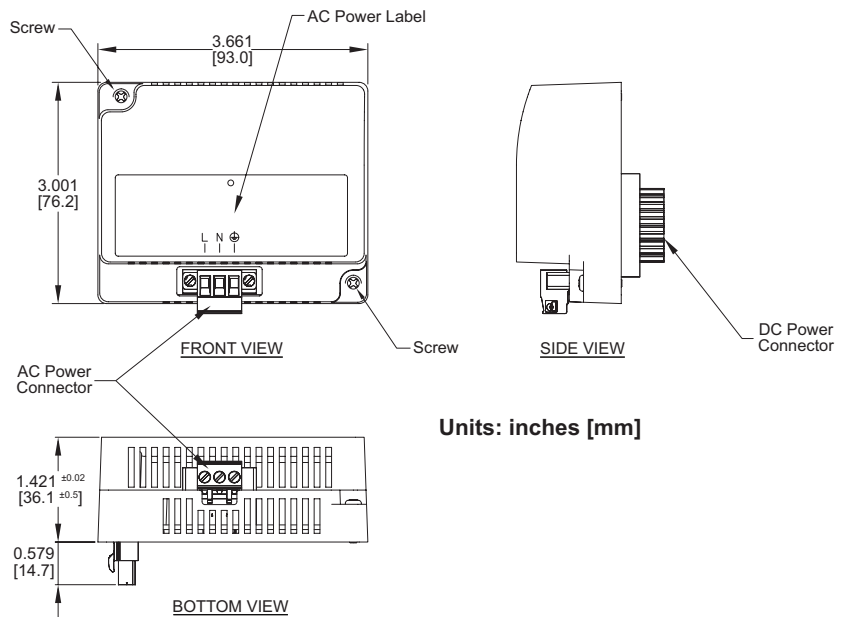
### Overall Panel Depth w/ EA-AC Installed



- EA7-S6M-R = 2.921 [74.2]
- EA7-S6C-R = 2.921 [74.2]
- EA7-S6M = 2.921 [74.2]
- EA7-S6C = 2.921 [74.2]
- EA7-T6C = 2.921 [74.2]
- EA7-T8C = 3.157 [80.2]
- EA7-T10C = 3.106 [78.9]
- EA7-T12C = 3.102 [78.8]
- EA7-T15C = 3.075 [78.1]

Units: inches[mm]

### Dimensions



Units: inches [mm]

AC Power Adapter Specifications			
<b>Part Number</b>	<b>EA-AC</b>	<b>Environmental Air</b>	
<b>Input Power (AC)</b>		<b>Vibration</b>	
<b>Input Voltage &amp; Frequency Range</b>		<b>Shock</b>	
<b>Inrush Current (Typical)</b>		<b>Isolation</b>	
<b>Inrush Current (&lt;2msec)</b>		<b>Noise Immunity</b>	
<b>Recommended Fusing</b>		<b>Hi-pot</b>	
<b>Efficiency (Typical)</b>		<b>Insulation Resistance</b>	
<b>Output Voltage &amp; Current (DC)</b>		<b>Connector (Removable)</b>	
<b>Output Power (Maximum)</b>		<b>Connector Wire Size</b>	
<b>Output Voltage Regulation</b>		<b>Connector Screw Torque</b>	
<b>Output Voltage Ripple</b>		<b>Connector Screwdriver Size</b>	
<b>Output Protection</b>		<b>Connector Mounting Torque</b>	
<b>Operating Temperature Range</b>		<b>Dimensions - inches[mm]</b>	
<b>Storage Temperature Range</b>		<b>Mounting to Touch Panel</b>	
<b>Humidity</b>		<b>Weight</b>	
<b>Cooling Method</b>		<b>Agency Approvals</b>	

# C-more ACCESSORIES

## Expansion Assembly

The **C-more** Expansion Assembly allows installation of the optional CF Card Interface Module (shown below) for CF card use and also provides a slot for future option modules. Although the full featured models have a built-in Compact Flash slot, some users may require additional CF memory for data logging.

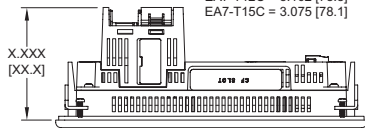
### Part No. EA-EXP-OPT



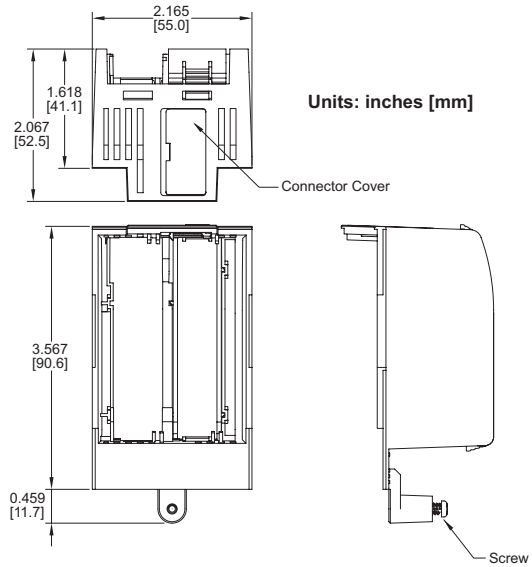
### Overall Panel Depth w/ EA-EXP-OPT Installed

- EA7-S6M = 2.921 [74.2]
- EA7-S6C = 2.921 [74.2]
- EA7-T6C = 2.921 [74.2]
- EA7-T8C = 3.157 [80.2]
- EA7-T10C = 3.106 [78.9]
- EA7-T12C = 3.102 [78.8]
- EA7-T15C = 3.075 [78.1]

Units: inches[mm]



### Dimensions



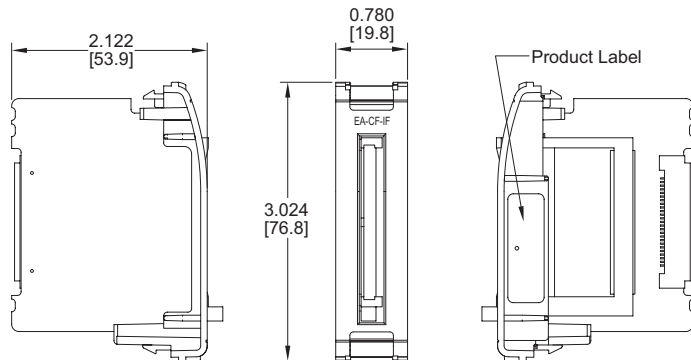
## CF Card Interface Module

The **C-more** CF Card Interface Module is used with the Expansion Assembly to allow use of CF cards, such as the Compact Flash Memory (EA-FLASH-128MB). The CF card can be used for data logging or as project backup.

### Part No. EA-CF-IF



### Dimensions



Units: inches [mm]

# C-more ACCESSORIES

## 128MB CF Flash Memory

EA-FLASH-128MB is a 128MB High speed industrial grade Compact Flash memory card for non-volatile storage. The card is constructed with a flash disk controller chip and NAND-type flash memory device and can operate from a single 5-volt or 3.3 volt power source. Its 85 °C operating temperature makes it perfect for data logging in industrial applications (recommended for **C-more** touch panels).

### Part No. EA-FLASH-128MB



#### Specifications/Features:

- CompactFlash<sup>™</sup> Compatibility
- 3.3 or 5.0 volt single power supply
- 50-pin two-piece connector with Type-I form factor (3.3 mm thickness)
- Support for CIS implementation with 256 bytes of attribute memory
- Interface modes
- PC card memory mode
- PC card I/O mode
- True IDE mode

#### High performance:

- Interface transfer speed at PIO mode 4 or multi-word DMA mode 2 cycle timing: 16.6 MBsecond (theoretical)
- Sustained write: max 6.0 MB in ATA PIO mode 4 cycle timing
- Sustained read: max 6.5 MB in ATA PIO mode 4 cycle timing
- W/E Endurance: 100,000 cycles (Ta = 40°C to 85°C); 300 cycles (Ta = 0°C to 70°C)

## USB Pen Drive

### Part No. SDCZ4-512-A10



The SanDisk Cruzer Micro is an extremely small 512MB USB Flash Drive (UFD) that connects to a USB port. Users can easily store their logging data, project data, key documents and images on a Cruzer Micro and transfer them to another computer with a USB port.

Includes software for data encryption (CruzerLock 2)\*, and trial version for back-up (PocketCache)\*, and Outlook synchronization (CruzerSync)\*.

#### Specifications/Features:

- Dimensions: 7.9mm x 18.95mm x 52.2mm (H x W x L)
- Stylish, metal casing with changeable colored skins and caps \*\*
- Includes CruzerLock 2 for data security\*, and trial versions of PocketCache (back-up)\* and CruzerSync (Outlook & My Documents folder synchronization) software\*
- Hi-Speed USB 2.0 certified (backwards compatible with all USB 1.1 ports)
- Compatible with Windows 98SE, ME, 2000, XP and Mac OS 9.1.x+, OS X v10.1.2+
- Certified Windows XP and Mac OS X



#### Cruzer Micro Package Contents:

- Cruzer Micro Skins (with clear skin and cap)
- 2 additional colored skins w/matching caps \*\*
- Lanyard
- Quick Start Guide

\* For Windows only

\*\* Available for new version of Cruzer Micro with Skins only

# C-more ACCESSORIES

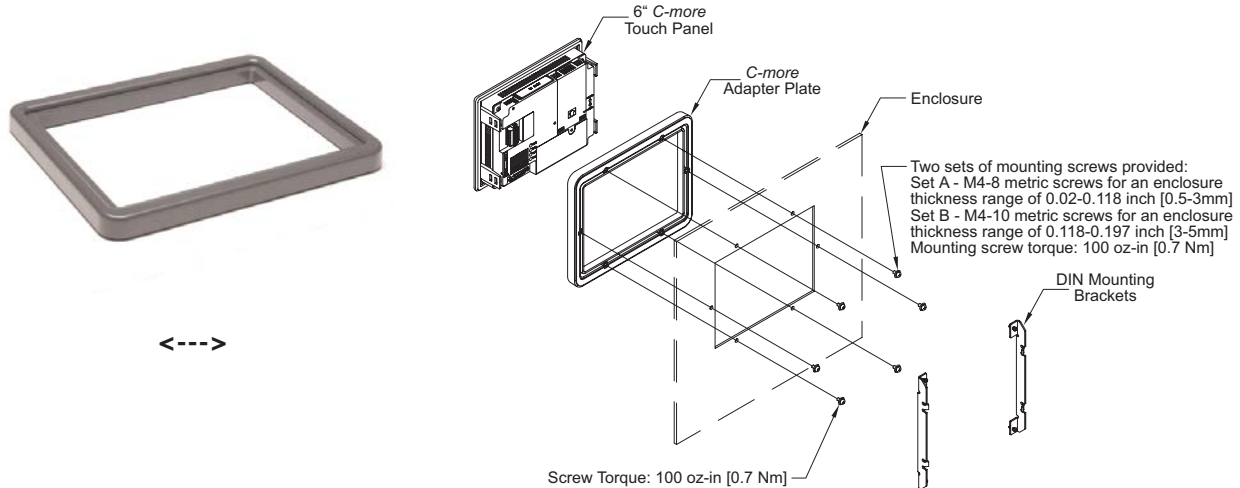
## 6" Adapter Plate

The adapter plate has been designed to simplify the retrofit of a new **C-more** 6" touch panel into an existing cabinet cutout for an EZTouch 6" wide bezel touch panel, such as our part number EZ-S6C-K, EZ-S6C-F, EZ-S6M-R or EZ-S6M-F. The gasket is rated

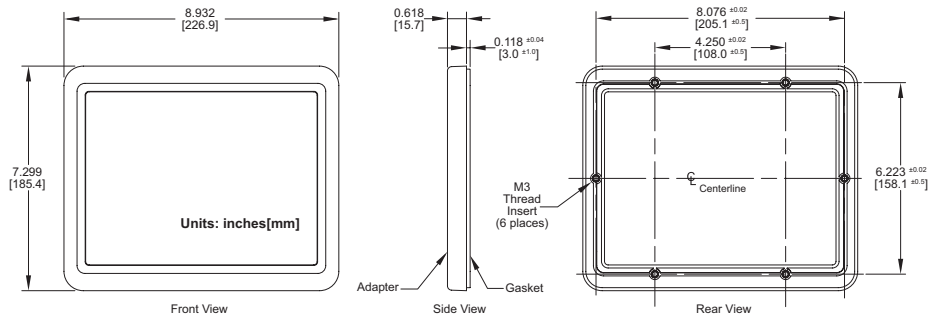
NEMA 4/4X and UL 4/4X is included. Please note that all sizes of the EZTouch thin bezel (slim) touch panels have the same cutout as similarly sized **C-more** touch panels, allowing quick replacement.

### Part No. EA-6-ADPTR

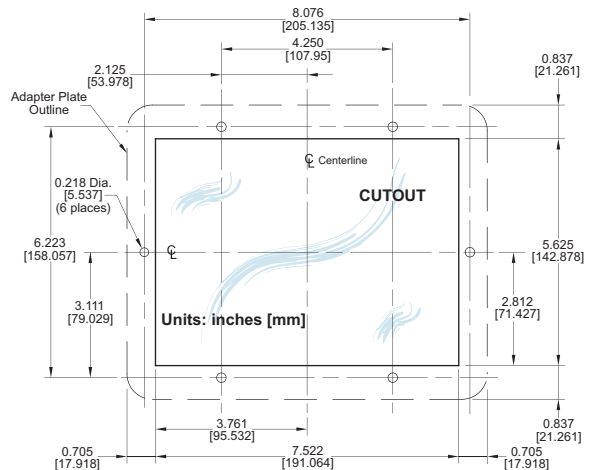
### Mounting Details



### Dimensions



### Cutout Dimensions



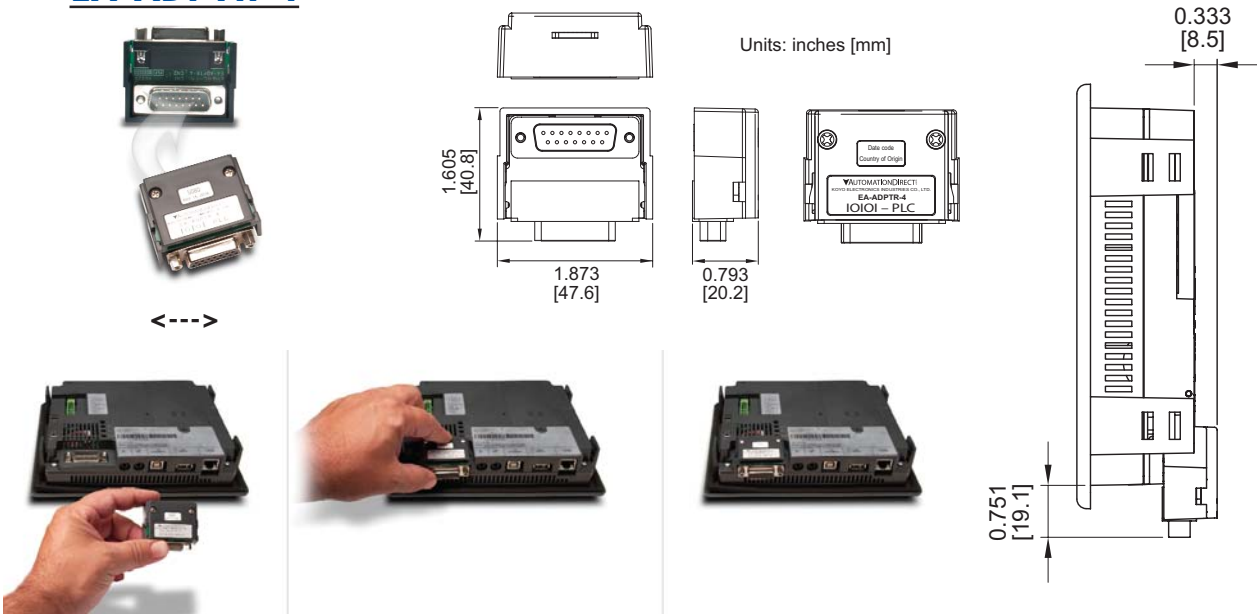
# C-more ACCESSORIES

## D-SUB 15-pin 90-degree Communication Port Adapter

The EA-ADPTR-4 adapter plugs into the 15-pin serial port on the rear of the panel to allow a PLC communication cable to be plugged in at a 90 degree angle to reduce panel depth requirements. 15-pin straight through pin-out.

### Part No. EA-ADPTR-4

### Dimensions

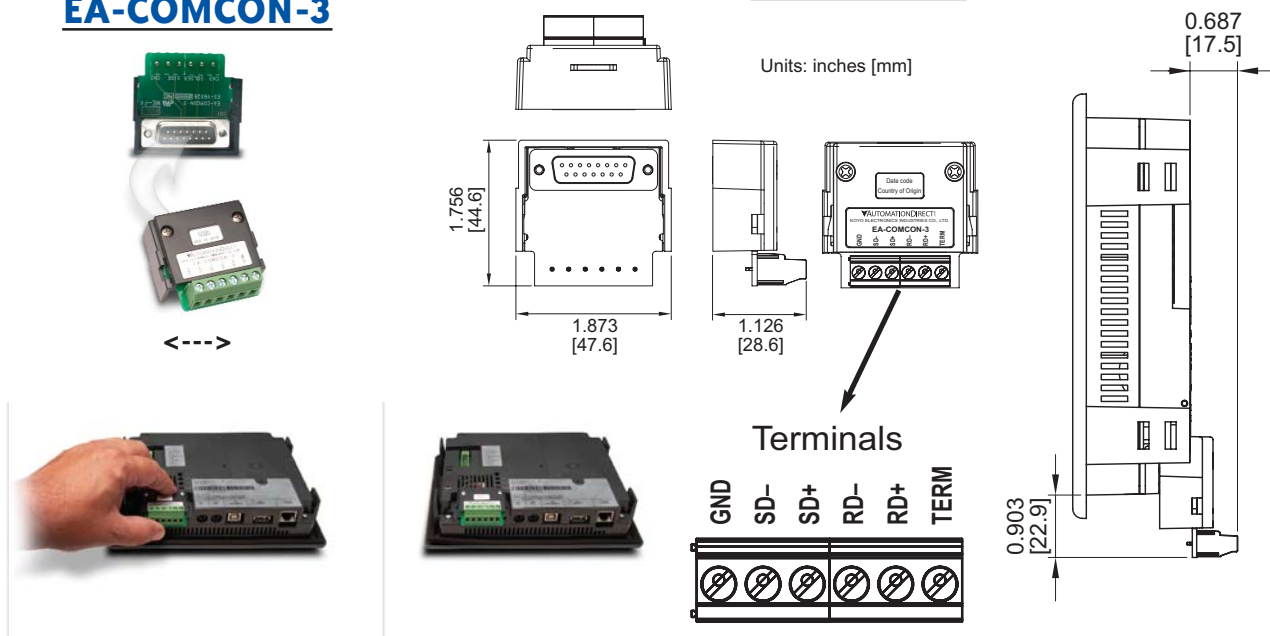


## D-SUB 15-pin to Terminal Block Adapter

The EA-COMCON-3 adapter plugs into the 15-pin serial port on the rear of the panel to allow wire terminal connections for an RS-422/485 PLC communication cable.

### Part No. EA-COMCON-3

### Dimensions





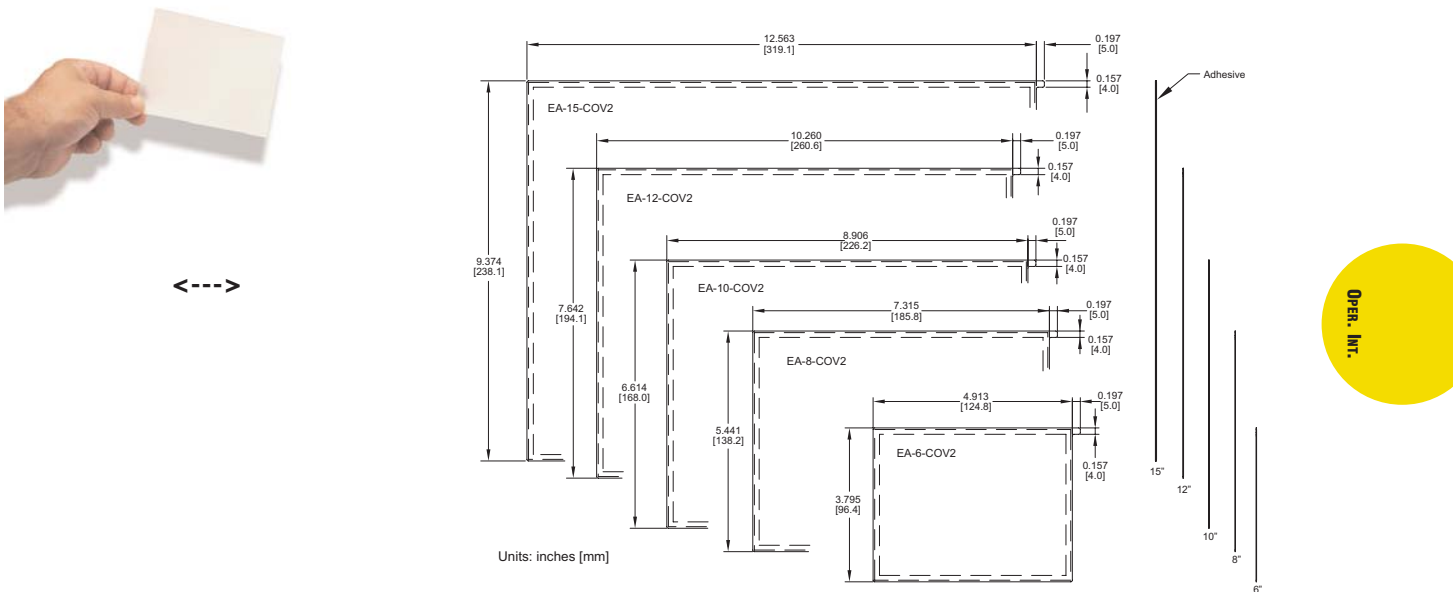
# C-more ACCESSORIES

## Non-glare Screen Covers (in packages of 3)

The non-glare screen covers are protective overlays used to protect the touch screen while helping to reduce the glare from external light sources.

### Part No. EA-6-COV2, EA-8-COV2, EA-10-COV2, EA-12-COV2 and EA-15-COV2

#### Dimensions



#### Installation

