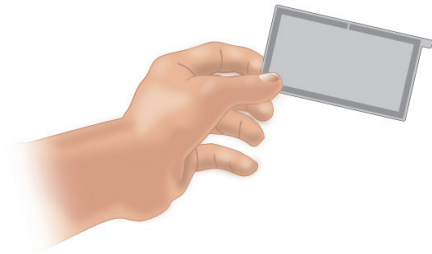


# C-more Micro 3-inch EA1 Panel Accessories

## Clear Screen Overlay

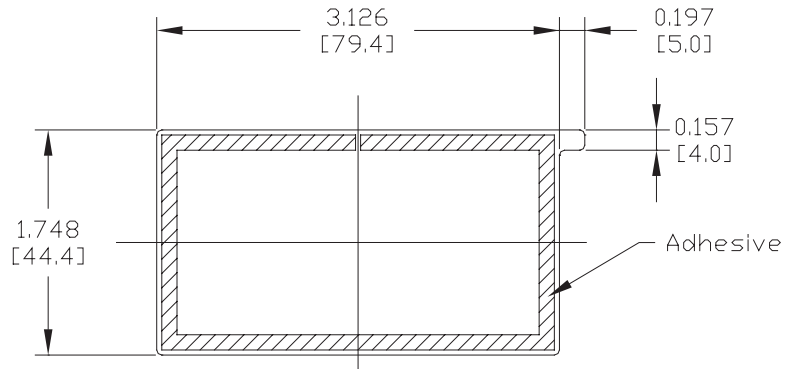
Optional clear screen overlay used to protect **C-more** 3-inch Micro displays from minor scratches and wear. Package contains 5 clear screen overlays.

Part No. EA-MG-COV-CL



## Dimensions

Units: inches [mm]



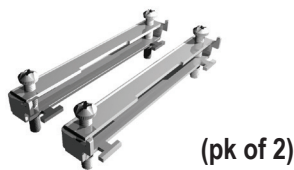
# C-more Micro 3-inch EA1 Replacement Parts

The optional replacement parts can be used to replace damaged, worn or lost **C-more** 3-inch Micro panel components.

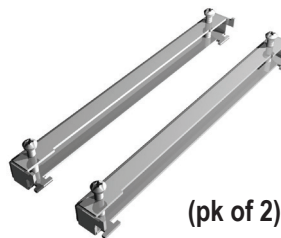
## Replacement parts at a glance:

Part Number	Description	Price
<a href="#"><u>EA-MG-S3ML-BRK</u></a>	Panel mounting brackets, replacement. Package of 2. For use with <b>C-more</b> Micro 3in and EA3-T4CL HMIs.	
<a href="#"><u>EA-MG-BZ1-BRK</u></a>	Panel mounting brackets, replacement. Package of 2. For use with <b>C-more</b> Micro bezel EA-MG-BZ1.	
<a href="#"><u>EA-MG-BZ2-BRK</u></a>	Panel mounting brackets, replacement. Package of 8. For use with <b>C-more</b> Micro 4in and 6in panels, all 6in bezels, and 3in bezel EA-MG-BZ2.	
<a href="#"><u>EA-MG-DC-CON</u></a>	DC 3-terminal power connector, replacement. Package of 5. For use with all <b>C-more</b> Micro 4in, 6in, 8in and 10in panels, and power adapters EA-MG-P1 and EA-MG-SP1.	
<a href="#"><u>EA-MG-S3ML-GSK</u></a>	Panel mounting gasket, replacement. For use with <b>C-more</b> Micro EA1 series 3in HMIs.	
<a href="#"><u>EA-MG-BZ1-GSK</u></a>	Panel mounting gasket, replacement. For use with <b>C-more</b> Micro 3in bezel EA-MG-BZ1.	
<a href="#"><u>EA-MG-BZ2-GSK</u></a>	Panel mounting gasket, replacement. For use with <b>C-more</b> Micro 3in bezel EA-MG-BZ2.	
<a href="#"><u>EA-MG-S3ML-FKL</u></a>	Function key label insert, replacement. Package of 10. For use with <b>C-more</b> Micro 3in panels. (5) blank labels (5) landscape F1-F5 label included.	

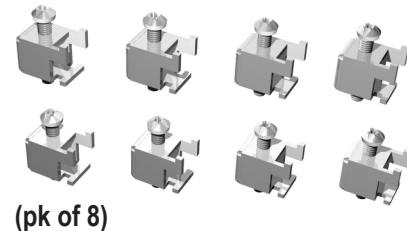
Panel Mounting Clips  
Part No. [EA-MG-S3ML-BRK](#)



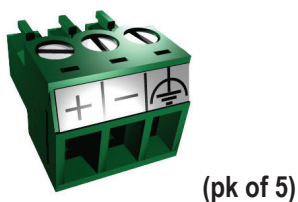
Keypad Bezel 1 Mounting Clips  
Part No. [EA-MG-BZ1-BRK](#)



Keypad Bezel 2 Mounting Clips  
Part No. [EA-MG-BZ2-BRK](#)



DC Power Connector  
Part No. [EA-MG-DC-CON](#)



3-inch Panel Gasket  
Part No. [EA-MG-S3ML-GSK](#)



3-inch Keypad Bezel 1 Gasket  
Part No. [EA-MG-BZ1-GSK](#)



3-inch Keypad Bezel 2 Gasket  
Part No. [EA-MG-BZ2-GSK](#)



3-inch Panel Function Keys Label Inserts  
Part No. [EA-MG-S3ML-FKL](#)

