

# C-more 3" Micro-Graphic Panel Accessories

## 8-button Keypad Bezel

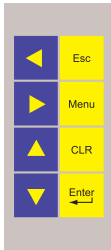
The 8-button keypad bezel can be used with both the touch and non-touch **C-more 3" Micro-Graphic** panels. The keypad includes four directional arrow cursor buttons, and one each of an ESCAPE, MENU, CLEAR and ENTER button. The keypad is intended to be used with the numeric entry object (Style 3) to allow changing of a

value, and can also be used to navigate & select objects when using the non-touch panel version. The keypad bezel is designed for easy drop-in of a **C-more 3" Micro-Graphic** panel. No panel configuration required.

Part No. EA-MG-BZ1

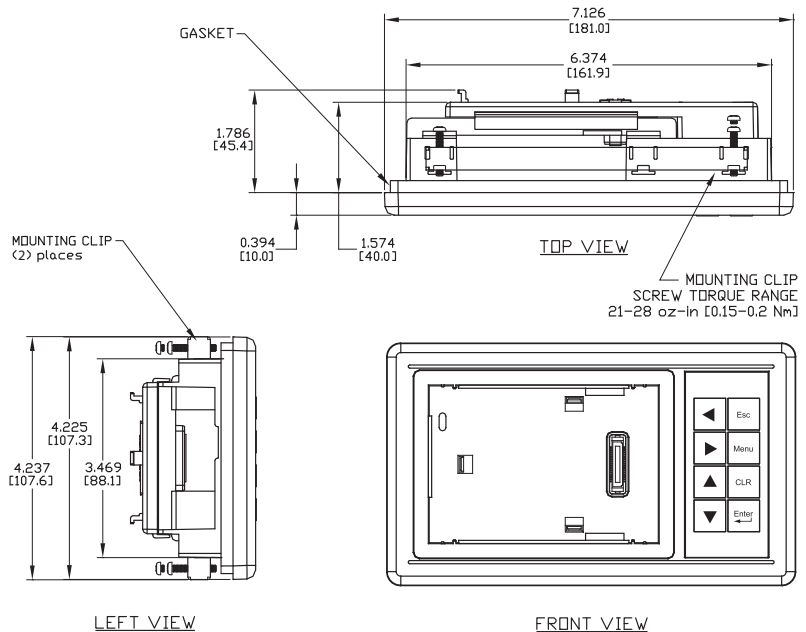


Four directional cursor buttons, and ESC, MENU, CLEAR and ENTER buttons.

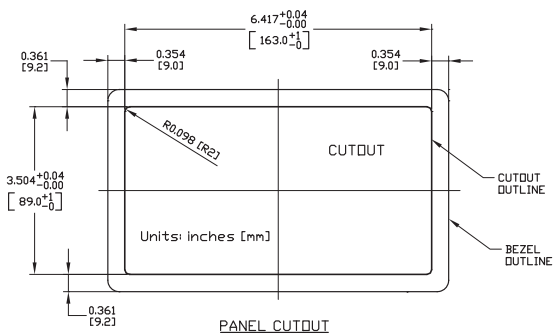


## Dimensions

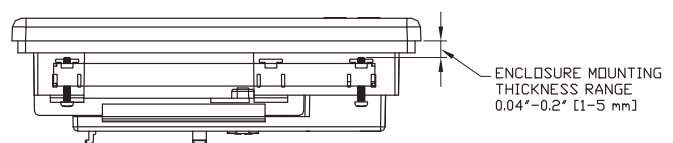
Units: inches [mm]



## Panel Cutout



## Panel Thickness



## 8-Button Keypad Bezel Specifications

Part Number	EA-MG-BZ1
<b>General</b>	
• <b>C-more Micro-Graphic Panels Supported</b>	EA1-S3ML, EA1-S3MLW, EA1-S3ML-N, EA1-S3MLW-N
• <b>Connection</b>	Connects with expansion connector on the rear of a <b>C-more 3" Micro-Graphic</b> panel. An expansion connector is also located on the rear of the keypad bezel to allow the EA-MG-P1 DC Power Adapter, or the EA-MG-SP1 Serial Port with DC Power Adapter to be attached.
• <b>Power Consumption</b>	None
• <b>Keypad Button Life</b>	Minimum of 500,000 cycles
• <b>Enclosure Mounting</b>	(2) mounting clips, EA-MG-BZ1-BRK, included. Note: The <b>C-more 3" Micro-Graphic</b> panel is installed into the keypad bezel using the EA-MG-S3ML-BRK mounting clips that are supplied with the panel.
<b>Physical</b>	
• <b>Dimensions</b>	7.126" (W) x 4.225" (H) x 2.180" (D) [181.0 mm x 107.3 mm x 55.4 mm]
• <b>Weight</b>	7.05 oz. [200 g]
• <b>Environmental</b>	See environmental specifications at the beginning of this catalog section.

# C-more 3" Micro-Graphic Panel Accessories

## 20-Button Keypad Bezel

The 20-button keypad bezel can be used with both the touch and non-touch **C-more 3" Micro-Graphic** panels. The keypad includes four directional arrow cursor buttons, a full numeric keypad, and one each of an ESCAPE, MENU, CLEAR and ENTER button. The keypad is intended to be used with the numeric entry object (Style 3) to allow changing of a value, and can also be

used to navigate & select objects when using the non-touch panel version. The numeric buttons can be used to enter a new value. The keypad bezel is designed for easy drop-in of a **C-more 3" Micro-Graphic** panel. No panel configuration required.

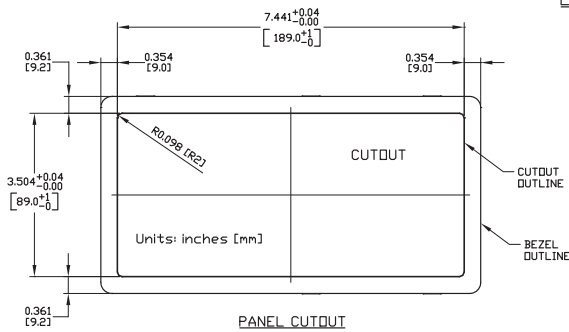
### Part No. EA-MG-BZ2



Four directional cursor buttons, numeric buttons, and ESC, MENU, CLEAR and ENTER buttons.

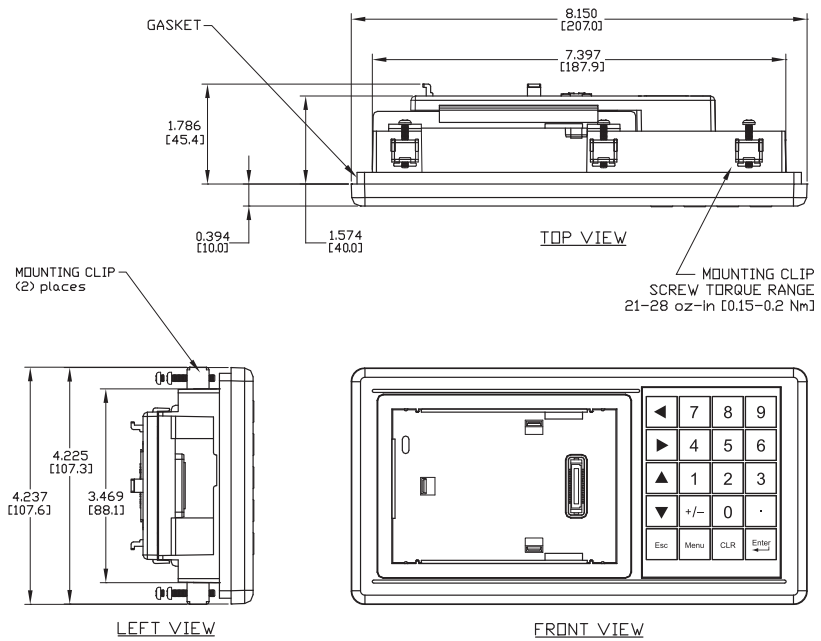


### Panel Cutout

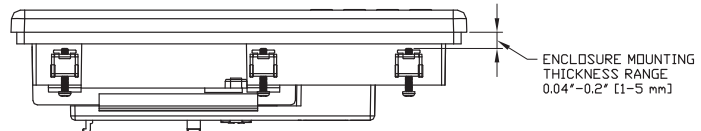


### Dimensions

Units: inches [mm]



### Panel Thickness



### 20-Button Keypad Bezel Specifications

Part Number	EA-MG-BZ2
<b>General</b>	
• <b>C-more Micro-Graphic Panels Supported</b>	EA1-S3ML, EA1-S3MLW, EA1-S3ML-N, EA1-S3MLW-N
• <b>Connection</b>	Connects with expansion connector on the rear of a 3" <b>C-more</b> Micro-Graphic panel. An expansion connector is also located on the rear of the keypad bezel to allow the EA-MG-P1 DC Power Adapter, or the EA-MG-SP1 Serial Port with DC Power Adapter to be attached.
• <b>Power Consumption</b>	None
• <b>Keypad Button Life</b>	Minimum of 500,000 cycles
• <b>Enclosure Mounting</b>	(6) mounting clips, EA-MG-BZ2-BRK, included. Note: The <b>C-more 3" Micro-Graphic</b> panel is installed into the keypad bezel using the EA-MG-S3ML-BRK mounting clips that are supplied with the panel.
<b>Physical</b>	
• <b>Dimensions</b>	8.150" (W) x 4.225" (H) x 2.180" (D) [207.0 mm x 107.3 mm x 55.4 mm]
• <b>Weight</b>	7.40 oz. [210 g]
<b>Environmental</b>	See environmental specifications at the beginning of this catalog section.

# C-more 3" Micro-Graphic Panel Accessories

## DC Power Adapter

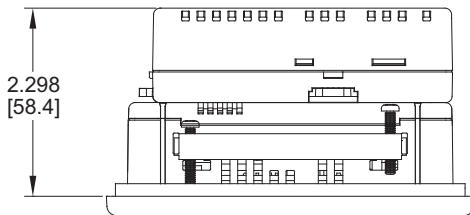
The **C-more** 3" Micro-Graphic panel is designed to use the 5 VDC power that is available from an RJ12 serial communications port found on some **AutomationDirect** PLC's. However, for other devices that do not supply power through their serial communications port, the EA-MG-P1 DC power adapter or EA-MG-SP1 serial port with DC power adapter must be used. Both

adapters require power from a 12-24 VDC source. The EA-MG-P1 DC Power Adapter for **C-more** 3" Micro-Graphic panels is designed to easily snap on to the rear of a **C-more** 3" Micro-Graphic panel or the rear of an optional Keypad Bezel being used with a **C-more** 3" Micro-Graphic panel.

Part No. EA-MG-P1



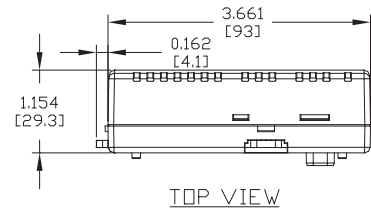
Panel overall depth with adapter installed



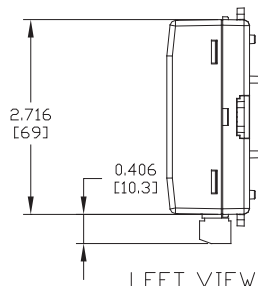
Units: inches [mm]

## Dimensions

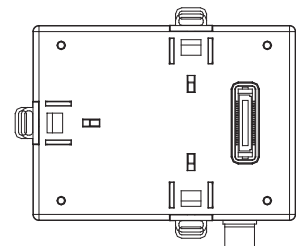
Units: inches [mm]



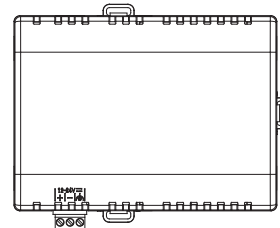
TOP VIEW



LEFT VIEW



REAR VIEW



FRONT VIEW

## DC Power Adapter Specifications

Part Number	EA-MG-P1
<b>Electrical</b>	
• Input Voltage	12-24 VDC
• Input Voltage Range	10.8-26.4 VDC
• Power Consumption	100 mA @ 24 VDC
• Maximum Power	2.90 Watts
• Maximum Inrush Current	5 A @ 500 $\mu$ s with 12 VDC applied, 10 A @ 500 $\mu$ s with 24 VDC applied
• Recommended Fuse	Type AGC fast acting glass fuse, 750 mA, 250 VAC, ADC #AGC-75
• Connector Type	3-pin screw type terminal block
<b>Physical</b>	
• Dimensions	3.823" (W) x 3.284" (H) x 1.331" (D) [97.1 mm x 83.4 mm x 33.8 mm]
• Weight	2.8 oz. [80 g]
<b>Environmental</b>	See environmental specifications at the beginning of this catalog section.



**NOTE: Recommended DC power supply to power either DC Power Adapter, AutomationDirect Part No. PSP24-024S or PSP24-024C.**

# C-more 3" Micro-Graphic Panel Accessories

## Serial Port with DC Power Adapter

The **C-more 3"** Micro-Graphic panel is designed to use the 5 VDC power that is available from an RJ12 serial communications port of some **AutomationDirect** PLC's. However, for other devices that do not supply power through their serial communications port, the EA-MG-P1 DC power adapter or EA-MG-SP1 serial port with DC power adapter must be used. The EA-MG SP1, with D-Sub 15-pin RS-232/RS-422/485 serial port, can be

used to connect to a PLC using RS-232 or RS-422/485. The adapter requires power from a 12-24 VDC source. This optional Serial Port with DC Power Adapter for **C-more 3"** Micro-Graphic panels is designed to easily snap on to the rear of a **C-more 3"** Micro-Graphic panel or the rear of an optional Keypad Bezel being used with a **C-more 3"** Micro-Graphic panel.

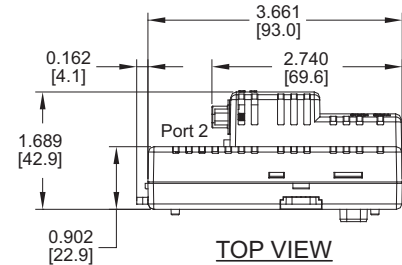
### Part No. EA-MG-SP1



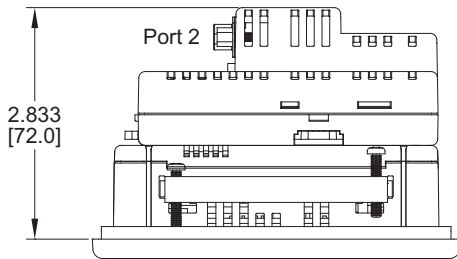
Supports:  
RS-232,  
RS-485,  
& RS-422

### Dimensions

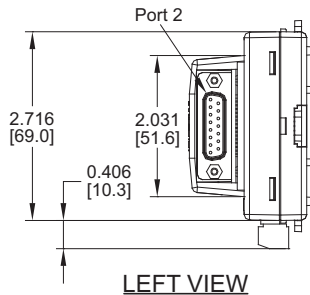
Units: inches [mm]



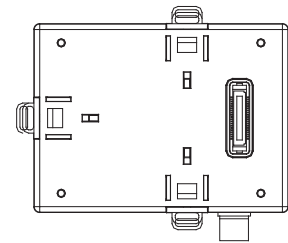
Panel overall depth with adapter installed



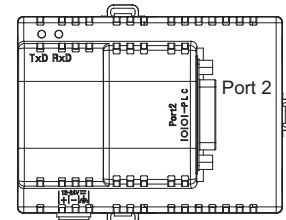
Units: inches [mm]



LEFT VIEW



REAR VIEW



FRONT VIEW

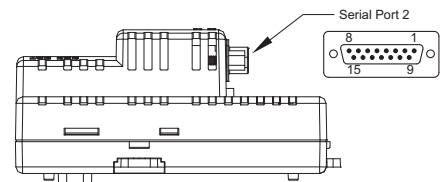
Serial Port w/ DC Power Adapter Specifications	
<b>Part Number</b>	EA-MG-SP1
<b>Serial PLC Interface</b>	
• <b>Interface Standard</b>	RS-232 & RS-485/422
• <b>Adjustable Settings from Software (Dependent on PLC Protocol)</b>	Baud rate: 9600, 19200 or 38400 bits/sec Data bits: 7/8 bits Parity: None, Odd/Even Stop bits: 2/1 bits
• <b>Connector Type</b>	15-pin D-sub connector (female)
<b>Electrical</b>	
• <b>Input Voltage</b>	12-24 VDC
• <b>Input Voltage Range</b>	10.8-26.4 VDC
• <b>Power Consumption</b>	100 mA @ 24 VDC
• <b>Maximum Power</b>	2.90 Watts
• <b>Maximum Inrush Current</b>	5 A @ 500 μs with 12 VDC applied, 10 A @ 500 μs with 24 VDC applied
• <b>Recommended Fuse</b>	Type AGC fast acting glass fuse, 750 mA, 250 VAC, ADC #AGC-75
• <b>Connector Type</b>	3-pin screw type terminal block
<b>Physical</b>	
• <b>Dimensions</b>	3.823" (W) x 3.284" (H) x 1.331" (D) [97.1 mm x 83.4 mm x 33.8 mm]
• <b>Weight</b>	2.8 oz. [80 g]
• <b>Environmental</b>	See environmental specifications at the beginning of this catalog section.



**NOTE: Recommended DC power supply to power either DC Power Adapter, AutomationDirect Part No. PSP24-024S or PSP24-024C.**

## PLC Serial Communications Port 2

Pin	Signal	Pin	Signal	Pin	Signal
1	Frame GND	6	LE	11	TXD+ (422/485)
2	TXD (232C)	7	CTS (232C)	12	TXD- (422/485)
3	RXD (232C)	8	RTS (232C)	13	Term. Resistor
4	Future	9	RXD+ (422/485)	14	do not use
5	Logic GND	10	RXD- (422/485)	15	do not use



# C-more 3" Micro-Graphic Panel Accessories

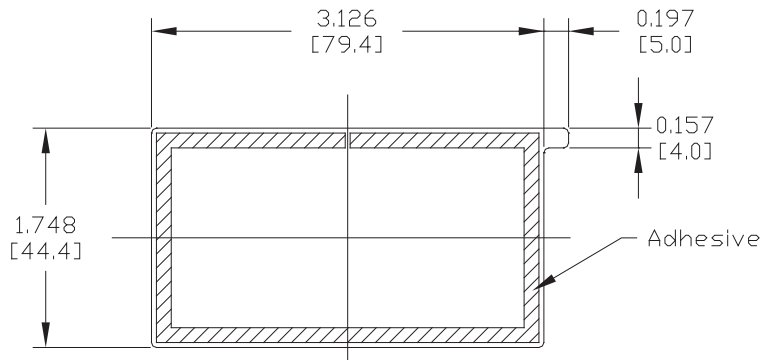
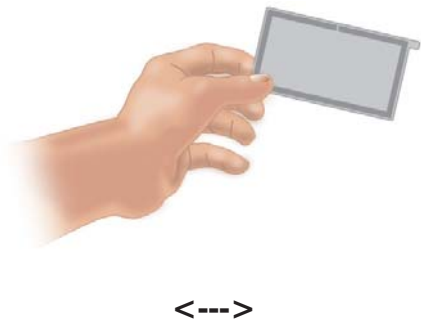
## Clear Screen Overlay

Optional clear screen overlay used to protect C-more 3" Micro-Graphic displays from minor scratches and wear. Package contains 5 clear screen overlays.

Part No. EA-MG-COV-CL

### Dimensions

Units: inches [mm]



## Clear screen overlay installation

### Step 1



Remove the overlay from the package

### Step 2



Remove the paper backing from the overlay

### Step 3



Align the overlay with the screen and press the adhesive firmly into place

### Step 4



Remove the protective film\*



\*Note: The overlay cover ships with a thin protective film on the face that should be carefully removed after installation.

# C-more 3" Micro-Graphic Replacement Parts

The optional replacement parts can be used to replace damaged, worn or lost **C-more 3" Micro-Graphic** panel components.

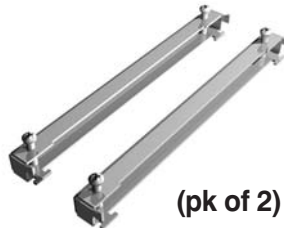
## Replacement parts at a glance:

Part Number	Description	Price
<b>EA-MG-S3ML-BRK</b>	Replacement mounting clip for <b>C-more 3" Micro-Graphic</b> panels (pk of 2)	<--->
<b>EA-MG-BZ1-BRK</b>	Replacement mounting clip for <b>C-more 3" Micro-Graphic keypad bezel</b> p/n EA-MG-BZ1 (pk of 2)	<--->
<b>EA-MG-BZ2-BRK</b>	Replacement mounting clip for <b>C-more Micro-Graphic keypad bezel</b> p/n EA-MG-BZ2 and <b>C-more 6" Micro-Graphic</b> panels and bezels (pk of 8)	<--->
<b>EA-MG-DC-CON</b>	Replacement adapter DC power connector for optional p/n EA-MG-P1 and p/n EA-MG-SP1 power adapters used with <b>C-more 3" Micro-Graphic</b> panels and <b>C-more 6" Micro-Graphic</b> panels and bezels (pk of 5)	<--->
<b>EA-MG-S3ML-GSK</b>	Replacement mounting gasket for <b>C-more 3" Micro-Graphic</b> panels	<--->
<b>EA-MG-BZ1-GSK</b>	Replacement mounting gasket for <b>C-more 3" Micro-Graphic keypad bezel</b> p/n EA-MG-BZ1	<--->
<b>EA-MG-BZ2-GSK</b>	Replacement mounting gasket for <b>C-more 3" Micro-Graphic keypad bezel</b> p/n EA-MG-BZ2	<--->
<b>EA-MG-S3ML-FKL</b>	Replacement function key label insert for <b>C-more 3" Micro-Graphic</b> panels (pk of 10; 5 blank, 5 F1-F5)	<--->

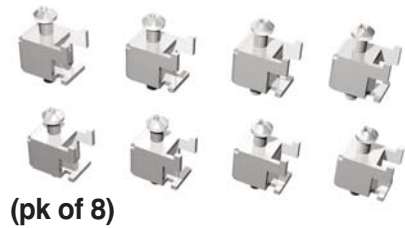
### Panel Mounting Clips Part No. EA-MG-S3ML-BRK



### Keypad Bezel 1 Mounting Clips Part No. EA-MG-BZ1-BRK



### Keypad Bezel 2 Mounting Clips Part No. EA-MG-BZ2-BRK



### DC Power Connector Part No. EA-MG-DC-CON



### 3" Panel Gasket Part No. EA-MG-S3ML-GSK



### 3" Keypad Bezel 1 Gasket Part No. EA-MG-BZ1-GSK



### 3" Keypad Bezel 2 Gasket Part No. EA-MG-BZ2-GSK



### 3" Panel Function Keys Label Inserts Part No. EA-MG-S3ML-FKL

