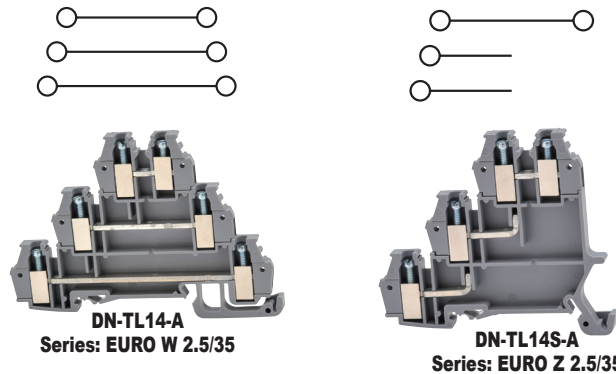


Triple-level and Sensor Terminal Blocks

- Screw connection terminal
- 35mm DIN-rail mountable
- LVD 2006/95/EC



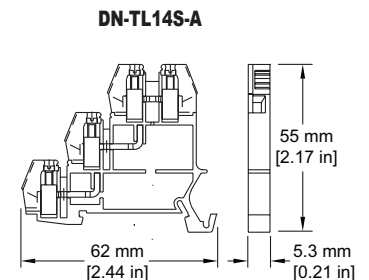
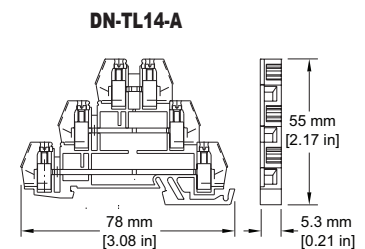
Triple-level terminal blocks enable high-density wiring or simplified, low-cost sensor wiring.

When wiring space is at a premium, use the DN-TL14-A to connect three separate circuits in only 5mm of linear DIN-rail space. The rest of our family of triple-level blocks will allow you to wire one terminal block per sensor, vs. the traditional method, which requires three different single-level blocks per sensor.

The DN-TL14S-A is the standard sensor terminal block, and the DN-TL14SLP-A and DN-TL14SLN-A provide LED indication at the terminal block when voltage is present.

Ordering Information						
Color	Part Number	Qty	Price	Part Number	Qty	Price
Gray	DN-TL14-A	25		DN-TL14S-A	25	
Technical Specifications						
Stripping Length	10 mm [0.39 in]			10 mm [0.39 in]		
Tightening Torque	0.5 N·m [4.5 lb-in]			0.5 N·m [4.5 lb-in]		
Density	200/m [57 pcs/ft]			200/m [57 pcs/ft]		
UL Approval*	300V	10A	26-14 AWG	300V	10A	26-14 AWG
CSA Approval	300V	10A	26-14 AWG	300V	10A	26-14 AWG
VDE Approval	300V	10A	2.5 mm ²	300V	10A	2.5 mm ²
Operating Temperature	Ambient air temperature: -20 to 105°C [-4 to 221°F] Relative humidity: 50% max at 40°C [104°F]; 90% max at 20°C [68°F]					
SCCR Rating	10kA per Table SB4.1, 2009, UL 508A, Maximum short circuit current rating for unmarked components					
CE Conformity	CE (EN 60947-1 / EN 60947-7-1)					
Agency File #	UL E179129					
<i>Note: To obtain the most current agency approval information, see the Agency Approval Checklist section on the specific part number's web page.</i>						
Accessories						
End Covers	DN-EC14	25		DN-EC14S	25	
Jumpers	2-pole Blue	DN-2JL14B-A	100	DN-2JL14B-A	100	
		DN-2JL14B-AMN	25	DN-2JL14B-AMN	25	
	3-pole Blue	DN-3JL14B-A	100	DN-3JL14B-A	100	
		DN-3JL14B-AMN	25	DN-3JL14B-AMN	25	
	12-pole Blue	DN-12JL14B-A	10	DN-12JL14B-A	10	
	2-pole Red	DN-2JL14-A	100	DN-2JL14-A	100	
		DN-2JL14-AMN	25	DN-2JL14-AMN	25	
	3-pole Red	DN-3JL14-A	100	DN-3JL14-A	100	
DN-3JL14-AMN		25	DN-3JL14-AMN	25		
12-pole Red	DN-12JL14-A	10	DN-12JL14-A	10		
Jumper Cutting Tool	DN-JL14CUT	1		DN-JL14CUT	1	
35mm DIN Rail	7.5 mm high	DN-R35S1	10	DN-R35S1	10	
		DN-R35S1-2	2	DN-R35S1-2	2	
	15mm high	DN-R35HS1	10	DN-R35HS1	10	
		DN-R35HS1-2	2	DN-R35HS1-2	2	
End Brackets	DN-EB35	50		DN-EB35	50	
	DN-EB35MN	20		DN-EB35MN	20	
	DN-EB35-A	50		DN-EB35-A	50	
	DN-EB35-A-10	10		DN-EB35-A-10	10	
	DN-QEB35	50		DN-QEB35	50	
	DN-QEB35-10	10		DN-QEB35-10	10	
Angled Support Bracket	DN-ASB1	50		DN-ASB1	50	
Marking Tags	DN-LAT-A series	500	various	DN-LAT-A series	500	various

Dimensions

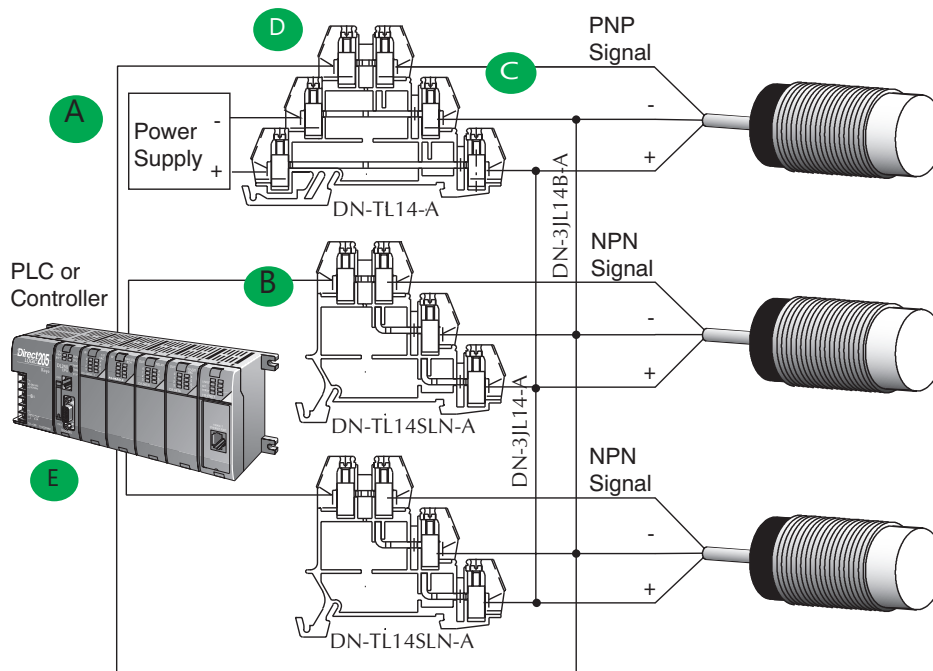


*Copper wire only
For more information on accessories, see the DINnectors Accessories section of this chapter.

Triple-level and Sensor Terminal Blocks

Sensor wiring has never been this simple.

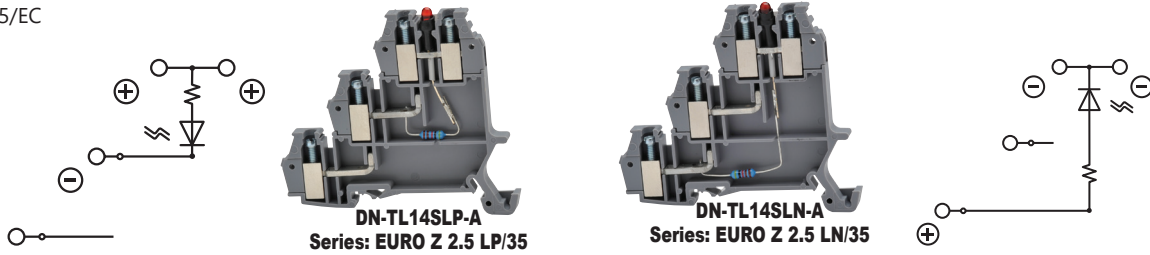
- **A** Wire the bottom two levels of one DN-TL14-A to connect your power supply to what will become a sensor +V and -V power bus.
- **B** Mount the triple-level sensor blocks next to the DN-TL14-A. The DN-TL14S-A is our standard sensor terminal block. The DN-TL14SLP-A gives you LED indication for PNP sensors, and the DN-TL14SLN-A gives you LED indication for NPN sensors.
- **C** Use the top level to connect the first sensor signal line to the PLC.
- **D** Connect the power supply terminals of the DN-TL14-A to the LED sensor terminal blocks by installing jumpers. This will create a +V and -V power bus on the two bottom levels of the terminals. Use an external wire to connect a group of 12 DN-TL14-As to another group.
- **E** Wire the sensor signal lines through the top levels of the blocks to your PLC or controller. Remember to use the appropriate end covers for safety purposes.



Note: Wiring schematic is for reference only. See individual I/O modules for correct wiring connections.

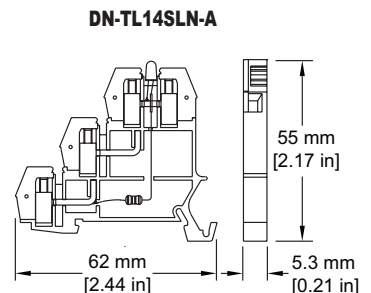
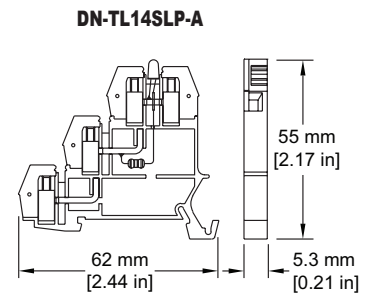
Triple-level and Sensor Terminal Blocks with LED

- Screw connection terminal
- 35mm DIN-rail mountable
- LVD 2006/95/EC



Ordering Information						
Color	Part Number	Qty	Price	Part Number	Qty	Price
Gray	DN-TL14SLP-A	25		DN-TL14SLN-A	25	
Technical Specifications						
Stripping Length	10 mm [0.39 in]			10 mm [0.39 in]		
Tightening Torque	0.5 N·m [4.5 lb-in]			0.5 N·m [4.5 lb-in]		
Density	200/m [57 pcs/ft]			200/m [57 pcs/ft]		
Leakage Current	25mA@5V			25mA@5V		
LED Voltage/Resistance	12 – 24V AC/DC. 3.4 kΩ			12 – 24V AC/DC. 3.4 kΩ		
UL Approval*	300V	10A	26-14 AWG	300V	10A	26-14 AWG
CSA Approval	300V	10A	26-14 AWG	300V	10A	26-14 AWG
VDE Approval	300V	10A	2.5 mm ²	300V	10A	2.5 mm ²
Operating Temperature	Ambient air temperature: -20 to 105°C [-4 to 221°F] Relative humidity: 50% max at 40°C [104°F]; 90% max at 20°C [68°F]					
SCCR Rating	10kA per Table SB4.1, 2009, UL 508A, Maximum short circuit current rating for unmarked components					
CE Conformity	CE (EN 60947-1 / EN 60947-7-1)					
Agency File #	UL E179129					
<i>Note: To obtain the most current agency approval information, see the Agency Approval Checklist section on the specific part number's web page.</i>						
Accessories						
End Cover	DN-EC14S	25		DN-EC14S	25	
Jumpers	2-pole Blue	DN-2JL14B-A	100	DN-2JL14B-A	100	
		DN-2JL14B-AMN	25	DN-2JL14B-AMN	25	
	3-pole Blue	DN-3JL14B-A	100	DN-3JL14B-A	100	
		DN-3JL14B-AMN	25	DN-3JL14B-AMN	25	
	12-pole Blue	DN-12JL14B-A	10	DN-12JL14B-A	10	
	2-pole Red	DN-2JL14-A	100	DN-2JL14-A	100	
		DN-2JL14-AMN	25	DN-2JL14-AMN	25	
	3-pole Red	DN-3JL14-A	100	DN-3JL14-A	100	
DN-3JL14-AMN		25	DN-3JL14-AMN	25		
12-pole Red	DN-12JL14-A	10	DN-12JL14-A	10		
Jumper Cutting Tool	DN-JL14CUT	1		DN-JL14CUT	1	
35mm DIN Rail	7.5 mm high	DN-R35S1	10	DN-R35S1	10	
		DN-R35S1-2	2	DN-R35S1-2	2	
	15mm high	DN-R35HS1	10	DN-R35HS1	10	
		DN-R35HS1-2	2	DN-R35HS1-2	2	
End Brackets	DN-EB35	50		DN-EB35	50	
	DN-EB35MN	20		DN-EB35MN	20	
	DN-EB35-A	50		DN-EB35-A	50	
	DN-EB35-A-10	10		DN-EB35-A-10	10	
	DN-QEB35	50		DN-QEB35	50	
	DN-QEB35-10	10		DN-QEB35-10	10	
Angled Support Bracket	DN-ASB1	50		DN-ASB1	50	
Marking Tags	DN-LAT-A series	500	various	DN-LAT-A series	500	various

Dimensions



*Copper wire only

For more information on accessories, see the DINnectors Accessories section of this chapter.

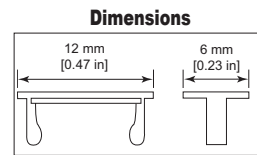
Marking Tags Cross Reference Charts - Screw-type

DINector Marking Tags Cross Reference - Screw-type					
<i>Block Type</i>	<i>DN-L</i>	<i>DN-LA</i>	<i>DN-LT</i>	<i>DN-LAT</i>	<i>DN-EMLBL</i>
<i>DN-T12</i>	-	X	X	-	-
<i>DN-T10</i>	X	-	X	-	-
<i>DN-T8</i>	X	-	X	-	-
<i>DN-T6</i>	X	-	X	-	-
<i>DN-T4</i>	X	-	X	-	-
<i>DN-T1/0</i>	X	-	X	-	-
<i>DN-T3/0</i>	X	-	X	-	-
<i>DN-D10</i>	X	-	X	-	-
<i>DN-D10X</i>	X	-	X	-	-
<i>DN-D10LED</i>	X	-	X	-	-
<i>DN-D10DR</i>	X	-	X	-	-
<i>DN-TL14</i>	-	-	-	X	-
<i>DN-THERM</i>	X	-	X	-	-
<i>DN-EMXM1</i>	-	X	X	-	X
<i>DN-EMXDV</i>	-	X	X	-	X
<i>DN-M10</i>	-	-	X	-	-
<i>DN-MG10</i>	-	-	X	-	-
<i>DN-G10</i>	X	-	X	-	-
<i>DN-G8</i>	X	-	X	-	-
<i>DN-G6</i>	X	-	X	-	-
<i>DN-G4</i>	X	-	X	-	-
<i>DN-G1/0</i>	X	-	X	-	-
<i>DN-F6</i>	X	-	X	-	-
<i>DN-F10</i>	X	-	X	-	-
<i>DN-DIS2</i>	-	X	X	-	-
<i>DN-DIS4</i>	X	-	X	-	-
<i>DN-FE2</i>	-	X	X	-	-
<i>DN-FE4</i>	X	-	X	-	-
<i>DN-DIS10</i>	X	-	X	-	-
<i>DN-KBD12</i>	-	X	X	-	-

Continued on next page

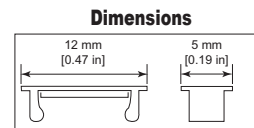
Marking Tags

Marking Tags DN-L Series			
Part Number	Marking Sequence	Qty	Price
<u>DN-L50</u>	1-50	500	
<u>DN-L100</u>	51-100	500	
<u>DN-L150</u>	101-150	500	
<u>DN-L200</u>	151-200	500	
<u>DN-L250</u>	201-250	500	
<u>DN-L300</u>	251-300	500	
<u>DN-L350</u>	301-350	500	
<u>DN-L400</u>	351-400	500	
<u>DN-L450</u>	401-450	500	
<u>DN-LB</u>	Blank	500	
<u>DN-LS</u>	L1, L2, L3, L, N, GND, +, -, COM, COM*	500	



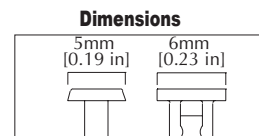
- The marking sequence of 50 tags (i.e. 101-150) is printed 10 times in each package of 500.
- The DN-L tags fit all DINnectors 6mm wide and wider.
- There will be a gap between tags on blocks wider than 6mm.
- Material: Thermoplastic with heat embossed black print.

Marking Tags DN-LA Series			
Part Number	Marking Sequence	Qty	Price
<u>DN-LA100</u>	1-100	500	
<u>DN-LA200</u>	101-200	500	
<u>DN-LA300</u>	201-300	500	
<u>DN-LA400</u>	301-400	500	
<u>DN-LAB</u>	Blank Tags	500	
<u>DN-LAS</u>	L1, L2, L3, L, N, GND, +, -, COM, COM*	500	



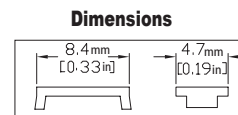
- The marking sequence of 100 tags (i.e. 1-100) is printed five times in each package of 500.
- The DN-LA tags fit all DINnectors 5mm wide and wider. There will be a gap between tags on blocks wider than 5mm.
- Material: Thermoplastic with heat embossed black print.

Marking Tags DN-LAT Series			
Part Number	Marking Sequence	Qty	Price
<u>DN-LAT100-A</u>	1-100	500	
<u>DN-LAT200-A</u>	101-200	500	
<u>DN-LAT300-A</u>	201-300	500	
<u>DN-LAT400-A</u>	301-400	500	
<u>DN-LAT500-A</u>	401-500	500	
<u>DN-LAT600-A</u>	501-600	500	
<u>DN-LATB-A</u>	Blank Tags	500	
<u>DN-LATS-A</u>	L1, L2, L3, L, N, +, -, COM, COM*	500	



- The marking sequence of 500 tags (i.e. 1-100) is printed five times in each package of 500.
- Material: Thermoplastic with heat embossed black print.

Marking Tags DN-QL Series			
Part Number	Marking Sequence	Qty	Price
<u>DN-QL100</u>	1-100	500	
<u>DN-QL200</u>	101-200	500	
<u>DN-QL300</u>	201-300	500	
<u>DN-QL400</u>	301-400	500	
<u>DN-QL500</u>	401-500	500	
<u>DN-QLB</u>	Blank Tags	500	
<u>DN-QLS</u>	L1, L2, L3, L, N, +, -, COM, COM*	500	



- The marking sequence of 500 (i.e. 1-100) is printed five times in each package of 500.
- Material: Thermoplastic with heat embossed black print.

Terminal Marking Accessories



DN-EMLBL1



DN-EMLBL2



DN-EMLBL3

Part Number	Description	For Use With	Qty	Price
DN-EMLBL1	Blank labels	DN-EMPEG1 pin protectors for DN-xEMXxx plug-in terminal blocks	100	
DN-EMLBL2	Labels printed 1 – 12		100	
DN-EMLBL3	Labels printed 13 – 24		100	

Marking Pen – for terminal and wire marking tags

- Permanent
- Smudge-proof
- Waterproof
- Weatherproof
- Lightfast (won't fade)
- Dries in seconds (excellent for left-handed users)
- Dry-safe (pen can be left uncapped for days without drying out)
- Low odor ink

Part Number	Description	Qty	Price
DN-MP	Indelible black ink marking pen	1	



Marking pen

Wire Marking Accessories



DN-WMTAG1 wire tags & DN-WM-x wire tag holders

Part Number	Description	For Use With	Qty	Price
DN-WMTAG1	Wire tag – blank	all DN-WM-x wire tag holders	525	
DN-WM-1	Wire tag holder, clear, 12mm length, 0.051–0.118 in diameter; for 22–16 AWG wire	DN-WMTAG1	200	
DN-WM-2	Wire tag holder, clear, 12mm length, 0.098–0.196 in diameter; for 16-11 AWG wire		200	
DN-WM-3	Wire tag holder, clear, 12mm length, 0.157–0.393 in diameter; for 13–5 AWG wire		100	
DN-WM-4	Wire tag holder, clear, 12mm length, 0.314–0.629 in diameter; for 5AWG wire		100	