











Enhanced 50 Series Photoelectric Sensors Connector Cables

Enhanced 50 Series Cables Selection Chart				
Part Number	Price	Description	Gauge	Pin-Out Diagram
CSDS4A4CY2202		DC Euro (Micro) connector cable for quick-disconnect photoelectric sensors, straight female, DC 4-pin/4-wire, PVC, 6 feet (2 meter) length	22	 1-Brown 2-White 3-Blue 4-Black
CSDS4A4CY2205		DC Euro (Micro) connector cable for quick-disconnect photoelectric sensors, straight female, DC 4-pin/4-wire, PVC, 16.4 feet (5 meter) length	22	 1-Brown 2-White 3-Blue 4-Black
CSAS4F4CY2202		AC Micro connector cable for quick-disconnect photoelectric sensors, straight female, AC 4-pin/4-wire, PVC, 6 feet (2 meter) length, 1/2" - 20 UNF thread	22	 1-Red/Black 2-Red/White 3-Red 4-Green
CSAS4F4CY2205		AC Micro connector cable for quick-disconnect photoelectric sensors, straight female, AC 4-pin/4-wire, PVC, 16.4 feet (5 meter) length, 1/2" - 20 UNF thread	22	 1-Red/Black 2-Red/White 3-Red 4-Green
CSAS5A5CY2202		AC Micro connector cable for quick-disconnect photoelectric sensors, straight female, AC 5-pin/5-wire, PVC, 6 feet (2 meter) length, 1/2" - 20 UNF thread	22	 1-Brown 2-Blue 3-Gray 4-Black 5-White
CSAS5A5CY2205		AC Micro connector cable for quick-disconnect photoelectric sensors, straight female, AC 5-pin/5-wire, PVC, 16.4 feet (5 meter) length, 1/2" - 20 UNF thread	22	 1-Brown 2-Blue 3-Gray 4-Black 5-White
CSMS4A4CY1602		Mini connector cable for quick-disconnect photoelectric sensors, straight female, 4-pin/4-wire, PVC, 6 feet (2 meter) length, 7/8" - 16 UN thread	16	 1-Black 2-Blue 3-Brown 4-White
CSMS4A4CY1606		Mini connector cable for quick-disconnect photoelectric sensors, straight female, 4-pin/4-wire, PVC, 19.69 feet (6 meter) length, 7/8" - 16 UN thread	16	 1-Black 2-Blue 3-Brown 4-White
CSMS5A5CY1602		Mini connector cable for quick-disconnect photoelectric sensors, straight female, 5-pin/5-wire, PVC, 6 feet (2 meter) length, 7/8" - 16 UN thread	16	 1-Black 2-Blue 3-Orange 4-Brown 5-White
CSMS5A5CY1606		Mini connector cable for quick-disconnect photoelectric sensors, straight female, 5-pin/5-wire, PVC, 19.69 feet (6 meter) length, 7/8" - 16 UN thread	16	 1-Black 2-Blue 3-Orange 4-Brown 5-White



CSDS4A4CY2205



CSAS4F4CY2205



CSAS5A5CY2202



CSMS4A4CY1602



CSMS5A5CY1602

Note: Cutler-Hammer parts available for sale to North America locations only.

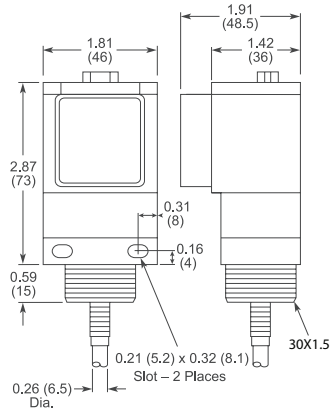
Connector Cables Specifications		
	Micro Style	Mini Style
Jacket Material	PVC	PVC
Contact Material	Gold-plated copper alloy	Gold-plated brass
Coupling Nut Material	Zinc die-cast epoxy-coat	Zinc die cast epoxy-coat
O-ring	Nitrile rubber	None
Cable	PVC insulation and jacket, stranded copper conductors	
Cable Strain Relief	35 pounds minimum	
Voltage Rating	320 V (24 VDC for LED plugs)	600 V
Current Rating	4A	4-pin: 10A 5-pin: 8 A
Contact Resistance	5 mΩ maximum	5 mΩ maximum
Isolation Resistance	1000 MΩ minimum	1000 MΩ minimum
Protection	IP67	NEMA 6P, IP68
Temperature Range	-25° to 90°C	-20° to 105°C
Cable Diameter (3/C = 3 Conductor)	22 AWG PVC: 4/C: 0.21 inch (5.3 mm) 5/C: 0.20 inch (5.1 mm)	16AWG PVC: 4/C: 0.42 inch (10.7 mm) 5/C: 0.50 inch (12.7 mm)
Bend Radius	Minimum recommended bend radius is 12X cable diameter	

Enhanced 50 Series Photoelectric Sensors Dimensions

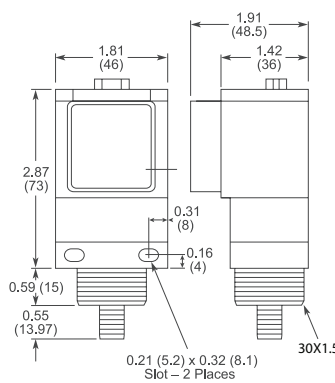
Sensor Dimensions

(inches (mm))

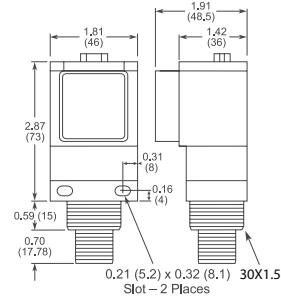
Cable and Pigtail Connector* Version



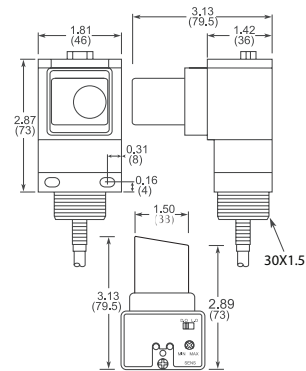
AC/DC Micro or Euro (Micro) Connector Versions



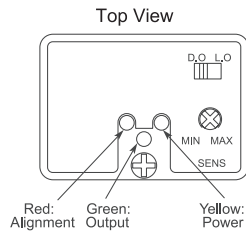
Mini Connector Versions



Clear Object Versions (Cable Version Shown)



* Pigtail length: 7.5" nominal

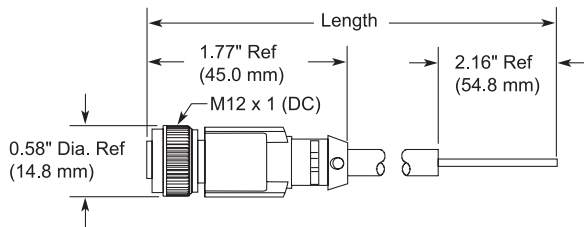


Connector Cables Dimensions

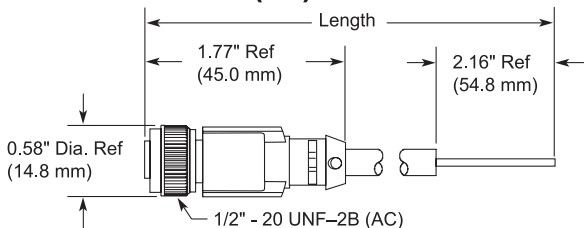
(in/mm)

Micro Style Connector Cables

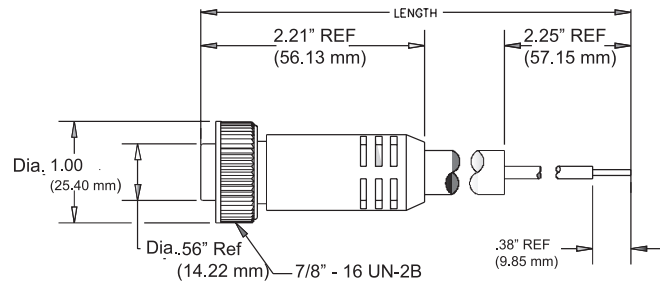
M12 x 1 (DC) connector cable



1/2" - 20 UNF-2B (AC) connector cable



Mini Style Connector Cables



Accessories for 50 Series Photoelectric Sensors

Mounting Brackets

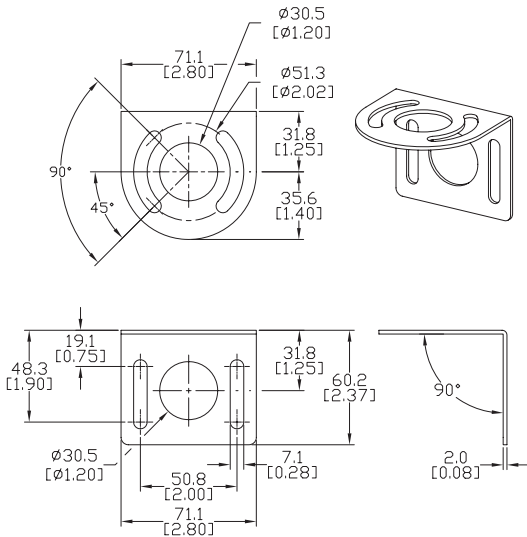
Short, tall or ball-swivel style of mounting brackets are available. All styles allow 360° rotation of the sensor.

Note: Cutler-Hammer parts available for sale to North America locations only.

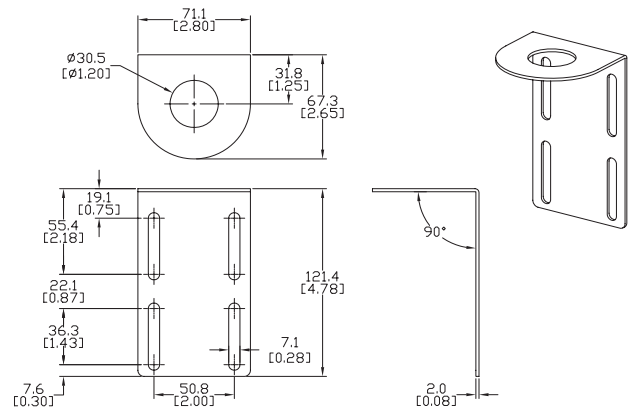
Dimensions

mm [inches]

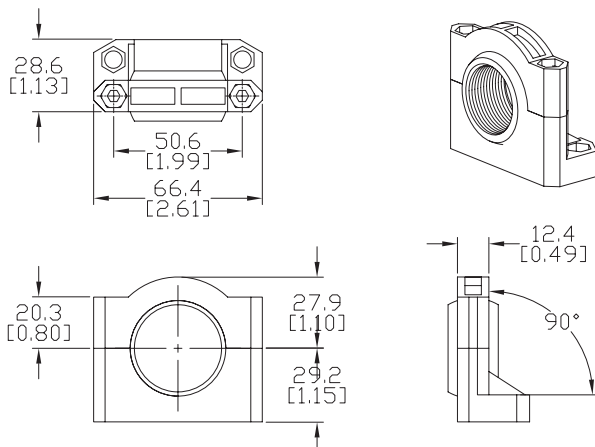
Accessories for Enhanced 50 Series Sensors			
Part Number	Price	Description	Weight [lb]
<u>6150E-6501</u>		Mounting bracket, right-angle, 1.5in vertical adjustment, nickel plated steel. For use with CH Enhanced 50 Series sensor.	0.20
<u>6150E-6502</u>		Mounting bracket, right-angle, 3.5in vertical adjustment, nickel plated steel. For use with CH Enhanced 50 Series sensor.	0.39
<u>6150E-6503</u>		Mounting bracket, right-angle ball swivel, 60 degree vertical and horizontal adjustment, plastic. For use with CH Enhanced 50 Series sensor. Ball swivel allows for ±30° angle.	0.11



6150E-6501



6150E-6502



6150E-6503