

Communication Expansion Module

EA-ECOM Ethernet Communication Module

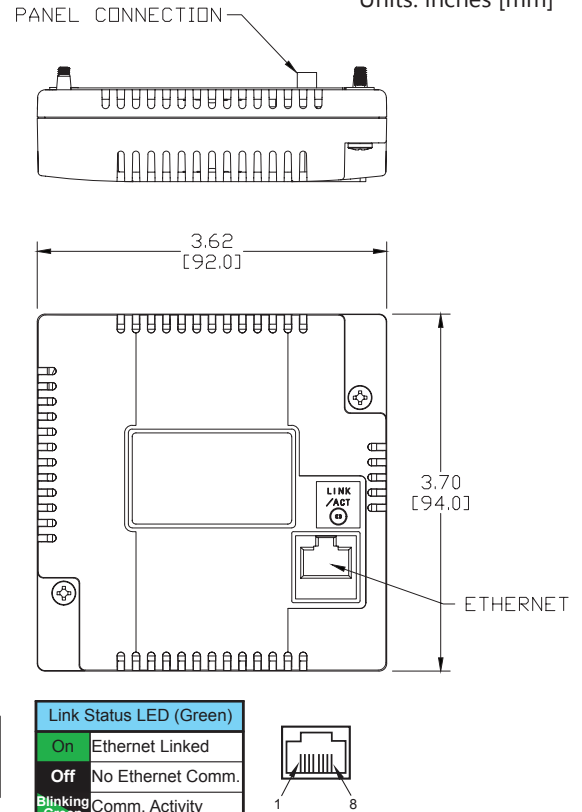
The EA-ECOM communication module is compatible with EA3 series **C-more** Micro 6-inch, 8-inch and 10-inch panels and most **C-more** panels. It adds an Ethernet (RJ45) port for programming and PLC communications at 10/100 Mbps. **C-more** Micro Software and firmware version 4.0 or later is required. **C-more** Software and firmware version 6.50 or later is required.

Part No. **EA-ECOM**



Dimensions

Units: inches [mm]



Ethernet Communication Interface Specifications	
Standard Specification	Conforms to IEEE802.3
Communication Speed	10/100 Base-T (Automatic Negotiation)
Cable Specification	Category 5
Auto MDI / MDI-X	Yes
Connector Type	RJ45

Communication Drivers	
C-more	C-more Micro
Supports all C-more Ethernet drivers	AutomationDirect Productivity Series Ethernet
	AutomationDirect Do-more / BRX Ethernet
	AutomationDirect CLICK Ethernet
	AutomationDirect ECOM Ethernet
	Modbus TCP/IP
	Allen-Bradley EtherNet/IP (Client) SLC5/05
	Allen-Bradley EtherNet/IP (Client) ENI Adapter
	Allen-Bradley EtherNet/IP (Client) MicroLogix 1100/1400
Allen-Bradley EtherNet/IP (Client) control/CompactLogix (SLC Mapping only)	

EA-ECOM Specifications	
Part Number	EA-ECOM
Operating Temperature	0 to 50 °C (32 to 122 °F) Maximum surrounding air temperature rating: 50 °C
Storage Temperature	-20 to +60 °C (-4 to +140 °F)
Humidity	5-95% RH (non-condensing)
Environmental Air	For use in pollution degree 2 environment
Vibration	IEC60068-2-6 (Test Fc), 5-9 Hz: 3.5 mm amplitude, 9-150 Hz: 1.0G, sweeping, at a rate of 1 octave/min. (±10%), 10 sweep cycles per axis on each of 3 mutually perpendicular axes
Shock	IEC60068-2-27 (Test Ea), 15 G peak, 11ms duration, three shocks in each direction per axis, on 3 mutually perpendicular axes (total of 18 shocks)
Noise Immunity	NEMA ICS3-304 RFI, (145 MHz, 440 MHz 10 W @ 10 cm) Impulse 1000 V @ 1 µs pulse
Emission	EN55011 Class A (Radiated RF emission)
Enclosure (panel door installation)	NEMA 250 type 4/4X indoor use only UL50 type 4X indoor use only IP-65 indoor use only (When mounted correctly)
Agency Approvals	CE (EN61131-2), UL508, CUL Canadian C22.2 To obtain the most current agency approval information, see the Agency Approval Checklist section on the specific part number's web page
Mounting Torque	50 oz-in [0.35 N-m]
Weight	0.23 lb [105g]

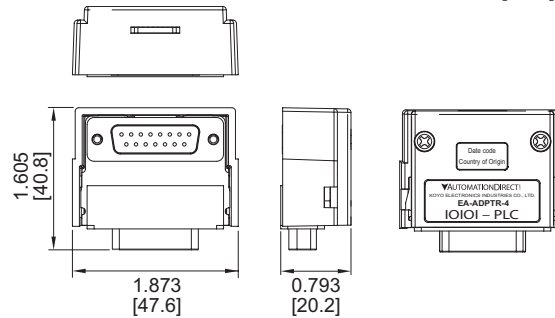
C-more Micro EA3 Panel Accessories

D-SUB 15-pin 90-degree Communication Port Adapter

The **EA-ADPTR-4** adapter plugs into the 15-pin serial port on the rear of **C-more** Micro EA3 Series 3-inch*, 4-inch and 6-inch panels to allow a controller communication cable to be plugged in at a 90 degree angle to reduce panel depth requirements. 15-pin straight through pin-out. UL Recognized.

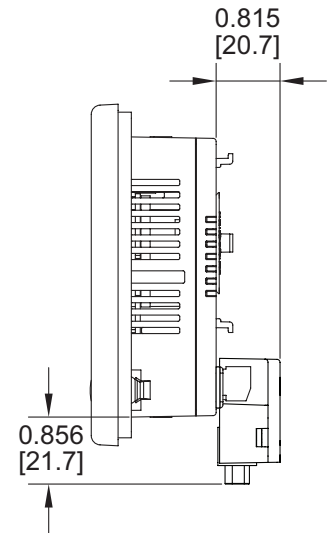
* EA3-S3ML-RN and EA3-S3ML-R are not equipped with a 15-pin serial port.

Part No.
EA-ADPTR-4



Dimensions 

Units: inches [mm]

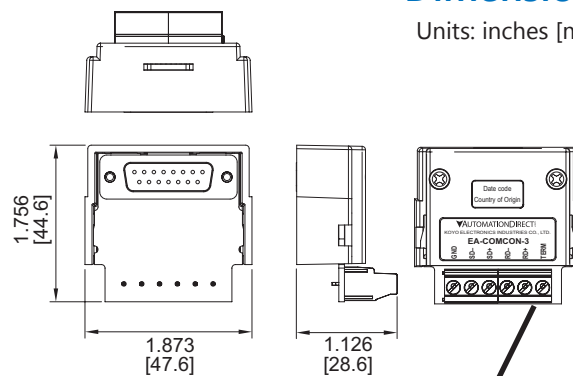


D-SUB 15-pin to Terminal Block Adapter

The **EA-COMCON-3** adapter plugs into the 15-pin serial port on the rear of **C-more** Micro EA3 Series 3-inch*, 4-inch and 6-inch panels to allow wire terminal connections for an RS-422/RS-485/DH485 PLC communication cable. UL Recognized.

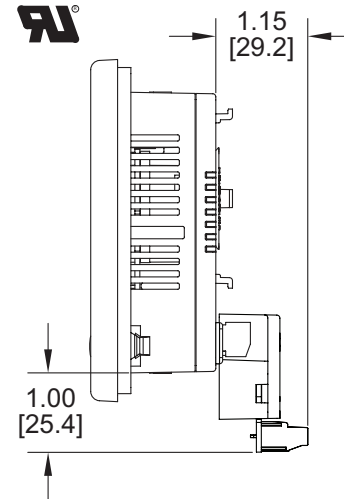
* EA3-S3ML-RN and EA3-S3ML-R are not equipped with a 15-pin serial port.

Part No.
EA-COMCON-3

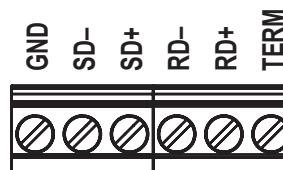


Dimensions 

Units: inches [mm]



Terminals

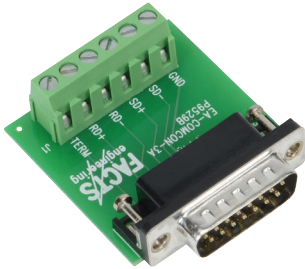


C-more Micro EA3 Panel Accessories

D-SUB 15-pin to Terminal Block Adapter

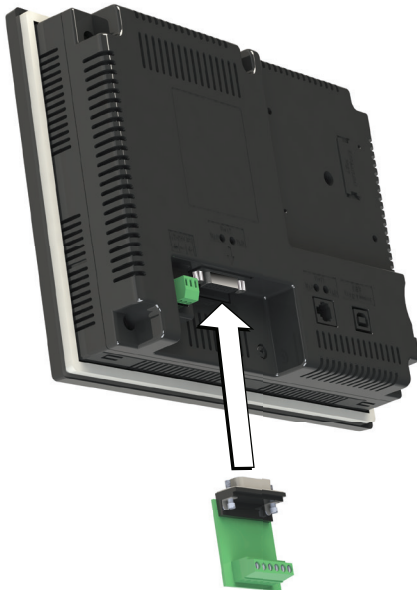
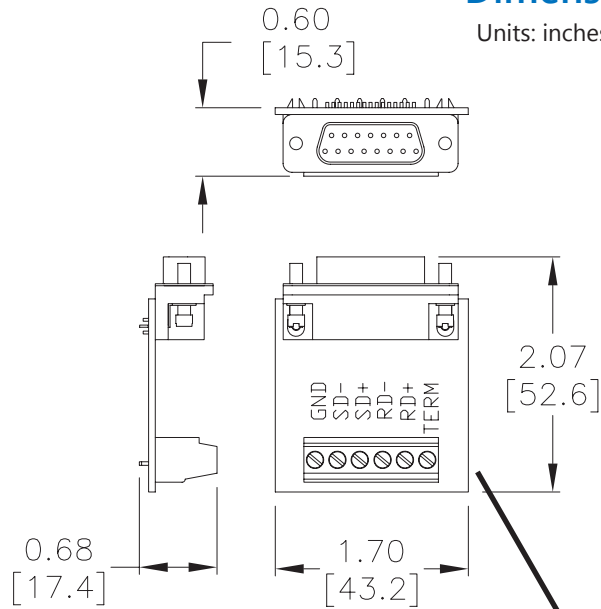
The [EA-COMCON-3A](#) adapter plugs into the 15-pin serial port on the rear of **C-more** Micro EA3 Series 8-inch and 10-inch panels to allow wire terminal connections for an RS-422/RS-485/DH485 PLC communication cable.

Part No.
EA-COMCON-3A

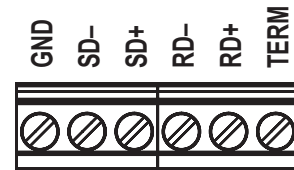


Dimensions

Units: inches [mm]



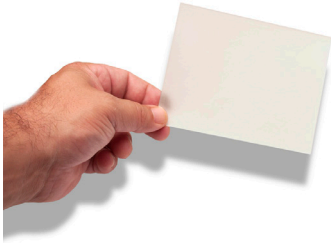
Terminals



C-more Micro EA3 Panel Accessories

Clear Screen Overlay

Optional clear screen overlay used to protect **C-more** Micro displays from minor scratches and wear. [EA-MG-COV-CL](#) contains 5 clear screen overlays. All other packages contain 3 clear screen overlays.



Part No. [EA-MG-COV-CL](#)

Part No. [EA-4-COV3](#)

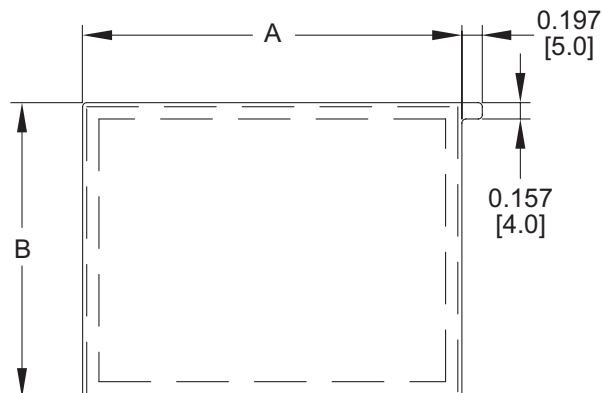
Part No. [EA-6-COV2](#)

Part No. [EA-8-COV2](#)

Part No. [EA-10-COV2](#)

Dimensions

Units: inches [mm]



Part Number	Dimensions - inch [mm]	
	A	B
EA-MG-COV-CL	3.13 [79.4]	1.75 [44.4]
EA-4-COV3	4.15 [105.5]	2.52 [64.0]
EA-6-COV2	4.91 [124.8]	3.80 [96.4]
EA-8-COV2	7.32 [185.8]	5.44 [138.2]
EA-10-COV2	8.91 [226.2]	6.61 [168.0]