

HT800 30mm Guarded Flush Pushbuttons



HT8GDRV3



HT8GDGV3



HT8GDAV3



HT8GDCV3



HT8GDWV3



HT8GDYV3



HT8GDBV3

HT800 30mm Guarded Flush Pushbuttons								
Contact Configuration	24 Volt AC/DC Incandescent Full Voltage Lamp 50mA @ 24 Volts	Price	120 Volt AC/DC Incandescent Full Voltage Lamp 19mA @ 120 Volts	Price	24 Volt LED Full Voltage Lamp	Price	120 Volt LED Full Voltage Lamp	Price
Red Lens								
Operator only	HT8GDRV3		HT8GDRV7		HT8GDRF3		HT8GDRF7	
1 N.O.	*HT8GDRAV3		*HT8GDRAV7		*HT8GDRAF3		*HT8GDRAF7	
1 N.C.	*HT8GDRBV3		*HT8GDRBV7		*HT8GDRBF3		*HT8GDRBF7	
Green Lens								
Operator only	HT8GDGV3		HT8GDGV7		HT8GDGF3		HT8GDGF7	
1 N.O.	*HT8GDGAV3		*HT8GDGAV7		*HT8GDGAF3		*HT8GDGAF7	
1 N.C.	*HT8GDGBV3		*HT8GDGBV7		*HT8GDGBF3		*HT8GDGBF7	
Amber Lens								
Operator only	HT8GDAV3		HT8GDAV7		HT8GDAF3		HT8GDAF7	
1 N.O.	*HT8GDAAV3		*HT8GDAAV7		*HT8GDAAF3		*HT8GDAAF7	
1 N.C.	*HT8GDABV3		*HT8GDABV7		*HT8GDABF3		*HT8GDABF7	
Clear Lens								
Operator only	HT8GDCV3		HT8GDCV7		HT8GD CF3		HT8GD CF7	
1 N.O.	*HT8GDCAV3		*HT8GDCAV7		*HT8GDCAF3		*HT8GDCAF7	
1 N.C.	*HT8GDCBV3		*HT8GDCBV7		*HT8GDCBF3		*HT8GDCBF7	
White Lens								
Operator only	HT8GDWV3		HT8GDWV7		HT8GDWF3		HT8GDWF7	
1 N.O.	*HT8GDWAV3		*HT8GDWAV7		*HT8GDWAF3		*HT8GDWAF7	
1 N.C.	*HT8GDWBV3		*HT8GDWBV7		*HT8GDWBF3		*HT8GDWBF7	
Yellow Lens								
Operator only	HT8GDYV3		HT8GDYV7		HT8GDYF3		HT8GDYF7	
1 N.O.	*HT8GDYAV3		*HT8GDYAV7		*HT8GDYAF3		*HT8GDYAF7	
1 N.C.	*HT8GDYBV3		*HT8GDYBV7		*HT8GDYBF3		*HT8GDYBF7	
Blue Lens								
Operator only	HT8GDBV3		HT8GDBV7		HT8GDBF3		HT8GDBF7	
1 N.O.	*HT8GDBAV3		*HT8GDBAV7		*HT8GDBAF3		*HT8GDBAF7	
1 N.C.	*HT8GDBBV3		*HT8GDBBV7		*HT8GDBBF3		*HT8GDBBF7	
Spare Incandescent and LED Lamps For HT8 Series - starting Prices								
	HT8BULBV3		HT8BULBV7		HT8LED**F3		HT8LED**F7	
30mm Guard for Illuminated Pushbuttons								
HT8A15								

See HT800 accessories in this section.

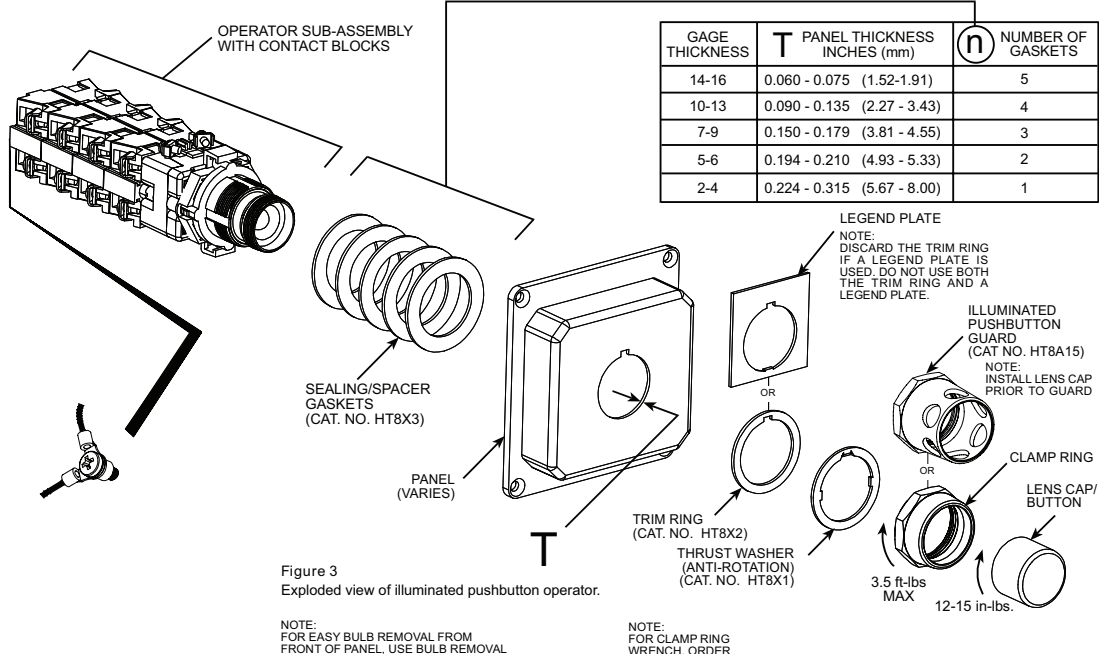
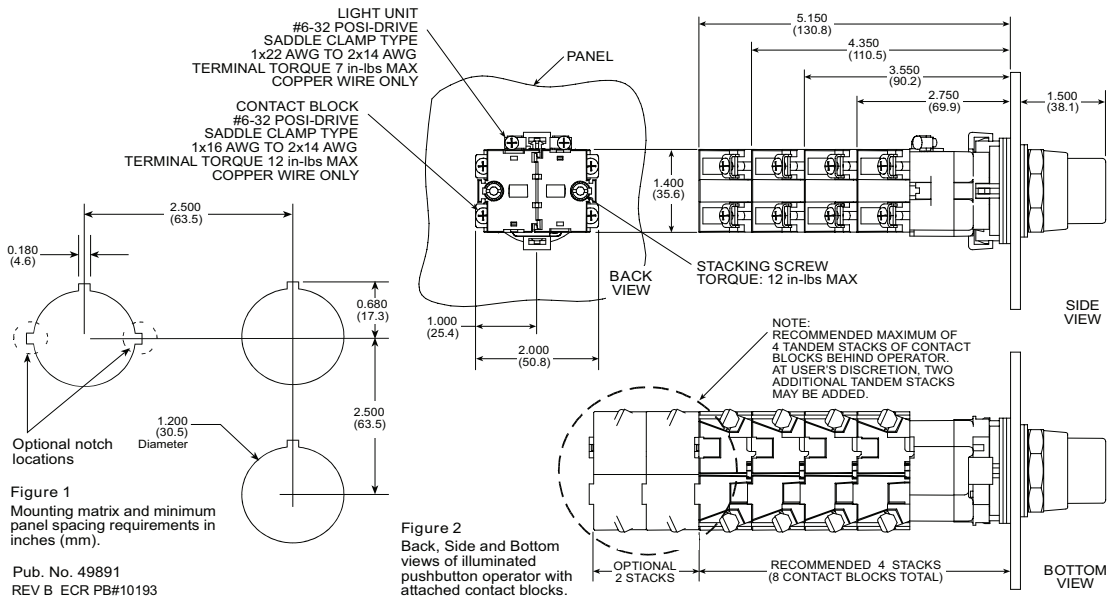
Notes: A grounding kit is included with each operator or switch assembly.

* Part numbers with an * are kitted from individual components at AutomationDirect. The individual components are picked and shipped in the same shipping box. Final assembly of the individual components must be done by the customer. Lens not sold separately.

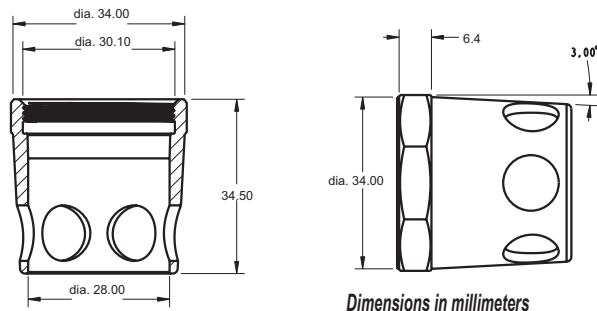
**Insert letter of color bulb needed; for example, HT8LEDYF3 is the part number for a yellow 24 volt LED replacement bulb. See the accessories page at the end of this section for the complete listing of LED replacement bulbs.

HT800 30mm Guarded Flush Pushbuttons

30.5 mm Pushbutton Installation and Mounting Instructions - inches (mm)



Guard dimensions

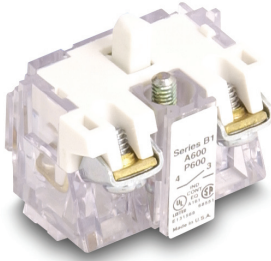




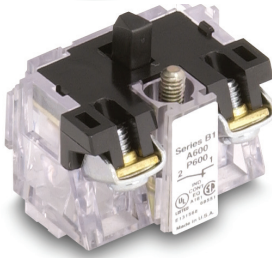
Cutler-Hammer

HT800 30mm Contact Blocks & Accessories

Contact blocks



HT8A



HT8B

HT8 Series Contact Blocks		
Part Number	Description	Price
HT8A	Normally open contact block for HT8 series switches. NEMA Rated A600, P6001	
HT8B	Normally closed contact block for HT8 series switches. NEMA Rated A600, P6001	
HT8C	Early closing normally open contact block for HT8 series switches. NEMA Rated A6001	
HT8D	Late opening normally closed contact block for HT8 series switches. NEMA Rated A6001	
HT8E	Logic level normally open contact block for HT8 series switches. Gold plated contacts for reliable low energy switching. Power Rating: Min 1mA @ 5V; Max 500mA 28V.	

Notes

1. See HT800 specifications in this section for typical contact wiring diagram.
2. NEMA ICS 5-2000. For more information, refer to HT800 technical specifications and control circuit contact electrical ratings at the beginning of this section.

Spare parts and tools



HT8WRENCH



HT8LAMPTOOL



109305



HT8BULBV3



HT8LEDYF3

HT8 Series Spare Parts and Tools		
Part Number	Description	Price
HT8WRENCH	Installation wrench for Cutler-Hammer HT8 series and E22 series pushbuttons, switches, and indicators	
HT8LAMPTOOL	Bulb extraction tool for removing bulbs from switches, indicators and stacklights	
109305	Knockout punch hole cutting tool for 30.5 mm mounting hole. Includes punch, die and draw stud	
HT8X1	Spare anti-rotation ring for HT8 series. Included with each HT8 device. (not shown)	
HT8X2	Spare trim ring for HT8 series. Included with each HT8 device. (not shown)	
HT8X3	Spare sealing/spacing ring for HT8 series. Included with each HT8 device. (not shown)	
HT8GR1	Spare grounding kit for HT8 series devices except non-PTT indicators. Included with each HT8 device. (not shown)	
HT8GR2	Spare grounding kit for HT8 series non-PTT indicators. Included with each HT8 device. (not shown)	
HT8BULBV3	24 volt incandescent bulb for HT8 illuminated devices. This is an extended bulb for enhanced illumination with HT8 devices. 50mA at 24 volts.	
HT8BULBV7	120 volt incandescent bulb for HT8 illuminated devices. This is an extended bulb for enhanced illumination with HT8 devices. 19mA at 120 volts.	
HT8LEDRF3	24 volt replacement LED bulb for HT800 30mm pushbuttons. Color: Red	
HT8LEDYF3	24 volt replacement LED bulb for HT800 30mm pushbuttons. Color: Yellow	
HT8LEDGF3	24 volt replacement LED bulb for HT800 30mm pushbuttons. Color: Green	
HT8LEDBF3	24 volt replacement LED bulb for HT800 30mm pushbuttons. Color: Blue	
HT8LEDWF3	24 volt replacement LED bulb for HT800 30mm pushbuttons. Color: White	
HT8LEDAF3	24 volt replacement LED bulb for HT800 30mm pushbuttons. Color: Amber	
HT8LEDRF7	120 volt replacement LED bulb for HT800 30mm pushbuttons. Color: Red	
HT8LEDYF7	120 volt replacement LED bulb for HT800 30mm pushbuttons. Color: Yellow	
HT8LEDGF7	120 volt replacement LED bulb for HT800 30mm pushbuttons. Color: Green	
HT8LEDBF7	120 volt replacement LED bulb for HT800 30mm pushbuttons. Color: Blue	
HT8LEDWF7	120 volt replacement LED bulb for HT800 30mm pushbuttons. Color: White	
HT8LEDAF7	120 volt replacement LED bulb for HT800 30mm pushbuttons. Color: Amber	

NOTE: LED modules have very low current draw and should not be used with triac output devices like PLC triac output modules.

EATON 30mm Legend Plates

Cutler-Hammer



For Pushbutton Operators and Indicating Lights			
Legend	Color of Field	Catalog Number	Price
Clamp	Black	HT8SP90	
Close	Black	HT8SP73	
Down	Black	HT8SP74	
Emergency Stop	Red	HT8SP13	
Fast	Black	HT8SP75	
Faster	Black	HT8SP87	
Feeder On	Black	HT8SP94	
Feeder Off	Black	HT8SP95	
Forward	Black	HT8SP15	
High	Black	HT8SP16	
In	Black	HT8SP17	
Inch	Black	HT8SP18	
Jog	Black	HT8SP19	
Jog Forward	Black	HT8SP20	
Jog Reverse	Black	HT8SP21	
Low	Black	HT8SP22	
Lower	Black	HT8SP23	
Lube-fail	Black	HT8SP92	
Motor Run	Black	HT8SP81	
Motor Stop	Black	HT8SP82	
Off	Red	HT8SP24	
On	Black	HT8SP25	
Open	Black	HT8SP26	
Out	Black	HT8SP27	
Power On	Black	HT8SP80	
Raise	Black	HT8SP28	
Ready	Black	HT8SP86	
Reset	Black	HT8SP29	
Reverse	Black	HT8SP30	
Run	Black	HT8SP31	
Safe	Black	HT8SP85	
Slow	Black	HT8SP32	
Slower	Black	HT8SP88	
Start	Black	HT8SP33	
Stop	Red	HT8SP34	
Test	Black	HT8SP83	
Transfer	Black	HT8SP93	
Trip	Black	HT8SP84	
Unclamp	Black	HT8SP91	
Up	Black	HT8SP35	

*Note: Dimensions: 1.77" (45mm) x1.77" (45mm)

For Selector Switch Operators/ Two-Position			
Legend	Color of Field	Catalog Number	Price
Forward Reverse	Black	HT8SP38	
Hand Auto	Black	HT8SP39	
High Low	Black	HT8SP40	
Jog Run	Black	HT8SP41	
Manual Auto	Black	HT8SP67	
Off On	Black	HT8SP42	
Open Close	Black	HT8SP43	
Run Jog	Black	HT8SP44	
Safe Run	Black	HT8SP45	
Start Jog	Black	HT8SP46	
Start Stop	Black	HT8SP47	
Up Down	Black	HT8SP48	

For PUSH/PULL Units			
Legend 3/32" lettering	Color of Field	Catalog Number	Price
ON/OFF	Black	HT8PP5	
OPEN/CLOSE	Black	HT8PP8	
UP/DOWN	Black	HT8PP11	

NOTE: All 30 mm legend plates are plastic.

For Selector Switch Operators/ Three-Position			
Legend	Color of Field	Catalog Number	Price
Auto Off Hand	Black	HT8SP49	
For. Off Rev	Black	HT8SP50	
For. Safe Rev.	Black	HT8SP69	
Hand Off Auto	Black	HT8SP51	
Man. Off Auto	Black	HT8SP68	
Open Off Close	Black	HT8SP53	
Run Safe Jog	Black	HT8SP70	
Up Off Down	Black	HT8SP54	
On Stop Safe	Black	HT8SP71	

Square Blank Plastic Legend Plates			
Lettering	Color of Field	Catalog Number	Price
Black	White/Silver	HT8SP76	
White	Red/Black	HT8SP77	

Round Plastic Legend Plates			
Legend	Color of Field	Catalog Number	Price
ESTOP	Yellow	HT8RP79	

NOTE: 70 mm / 2-3/4" diameter