

# Modular Ferrule Fuse Blocks for Midget Class and CC Fuses



## Description

- BCM Series for use with Class CC fuses EDCC, HCTR and HCLR
- BMM Series for use with Midget Class Midget fuses MCL, MEQ, MEN & MOL

### Mounting

35mm DIN rail or panel mount

## Specifications

### Materials:

Base – Thermoplastic  
 Terminals – Tin-plated bimetallic copper  
 Covers – Thermoplastic  
 Screws and pressure plates – Zinc-plated steel

**SCCR:** 200kA

### Flammability rating:

Blocks – UL 94V0, self-extinguishing  
 Covers – UL 94HB, self-extinguishing

### Operating and storage temp range:

Blocks – -40° to 120°C [-40° to 248°F]  
 Covers – indicating -20° to 90°C [-4° to 194°F]  
 – non-indicating -40° to 120°C [-40° to 248°F]

### Wire:

Cu – 75°/90°C [ 167°/194°F]  
 Ring or Fork terminal to fit a #10-32 screw

## Agency Approvals

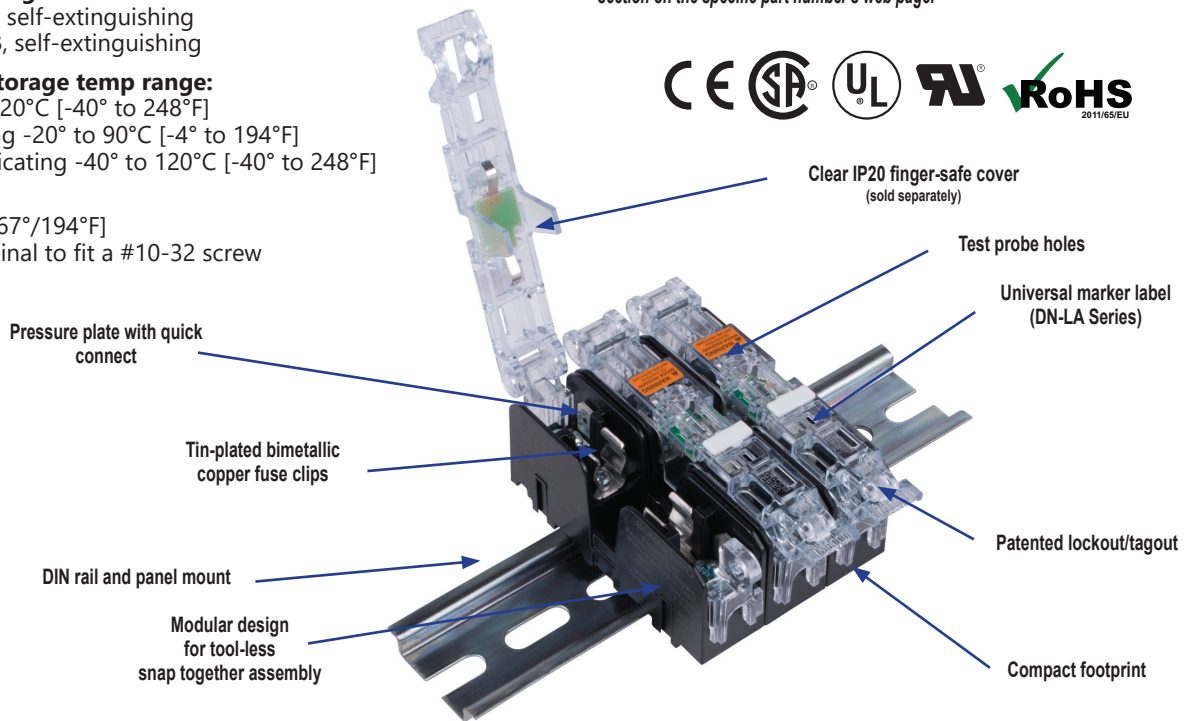
### Fuse Blocks

- BCM – UL® Listed E14853 - IZLT
- BMM and BCCM UL Recognized E14853-IZLT2
- CSA® Certified 47235-6225-01
- CE
- RoHS Compliant
- Conflict mineral free
- REACH Compliant

### Covers

- Covers are included in the overall UL Listing/Recognition and CSA Certification
- IP20 finger-safe
- RoHS compliant
- REACH Compliant

To obtain the most current agency approval information, see the Agency Approval Checklist section on the specific part number's web page.



Pressure Plate (with Quick Connect**) Modular Ferrule Fuse Blocks for Midget Class and CC Fuses													
Class	Part Number	Pc/pkg	Price	Volts	Amps	Poles	Wire Range <sup>1</sup>		Torque	Wt.	Covers* (Sold Separately)		
							Solid and Stranded	Fine Stranded			lb-in [N·m]	lb [kg]	w/o Indication
Midget	<a href="#">BMM603-1PQ</a>	15		600V AC/DC	30	1	18-10 AWG	18-10 AWG	20 [2.3]	0.05 [0.04]	CVR-CCM-QC	CVR-CCM-QC	3
	<a href="#">BMM603-2PQ</a>	5	2			0.15 [0.06]							
	<a href="#">BMM603-3PQ</a>	5	3			0.20 [0.10]							
	<a href="#">BMM603-1PQ-1</a>	1	1			0.05 [0.04]							
CC	<a href="#">BCM603-1PQ</a>	15		600V AC/DC	30	1	18-10 AWG	18-10 AWG	20 [2.3]	0.05 [0.04]	CVR-CCM-QC	CVR-CCM-QC	3
	<a href="#">BCM603-2PQ</a>	5	2			0.15 [0.06]							
	<a href="#">BCM603-3PQ</a>	5	3			0.20 [0.10]							
	<a href="#">BCM603-1PQ-1</a>	1	1			0.05 [0.04]							
Combo	<a href="#">BCCMM603-3PQ<sup>2</sup></a>	5				3							

<sup>1</sup> Ratings are for copper wire only.

<sup>2</sup> Combination modular fuse block for use with transformers. Accepts two (2) Class CC and one (1) Midget class fuse.

<sup>3</sup> Open fuse indication requires 90V minimum and closed circuit to operate.

\*Once installed, the cover cannot be removed.

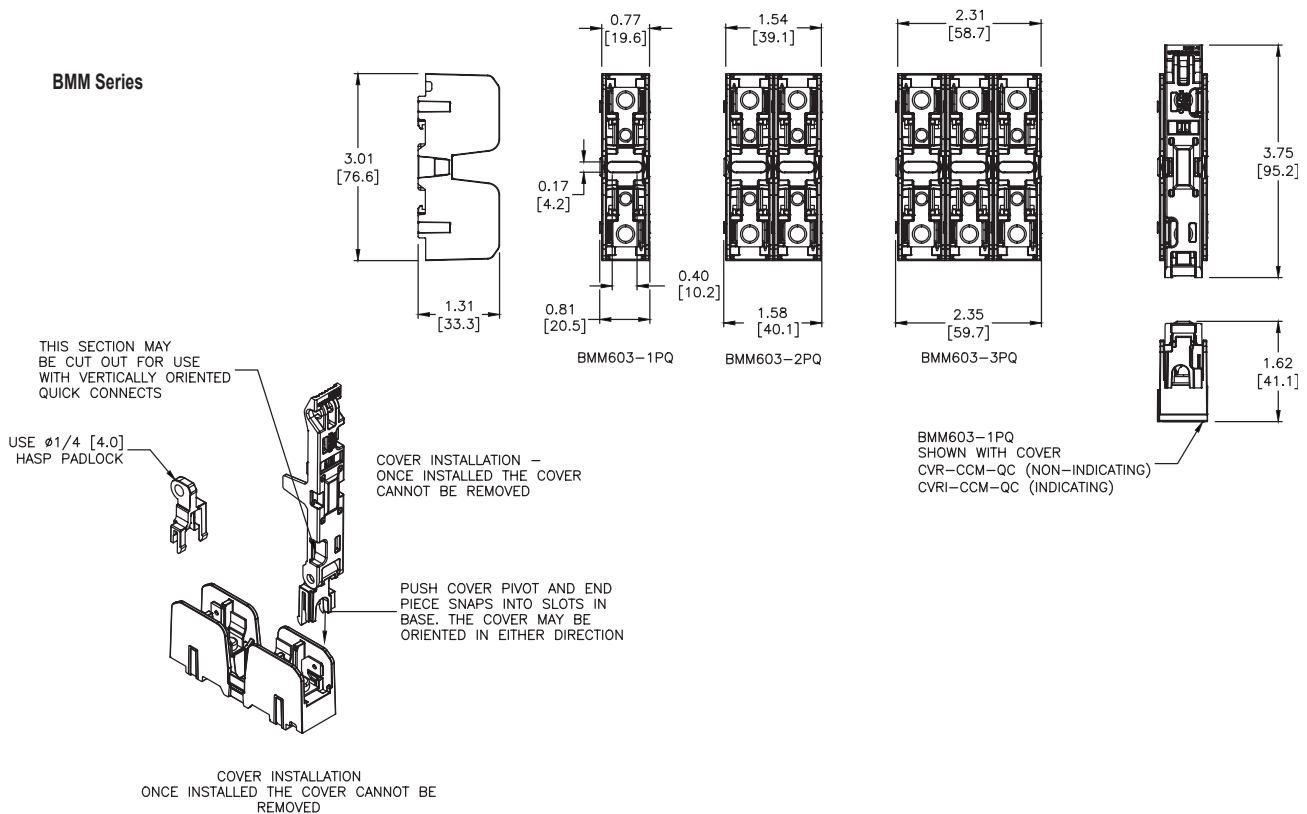
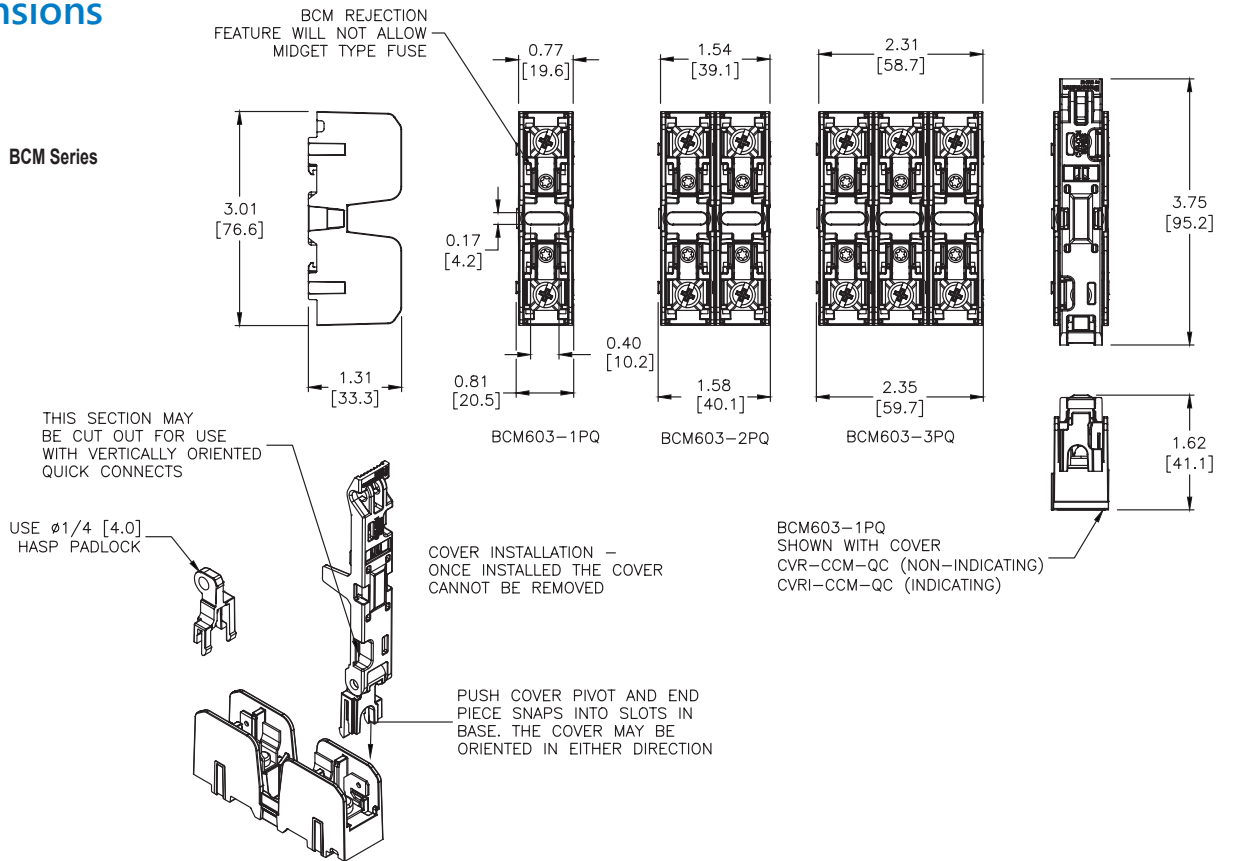
\*\*Quick connect terminal rated for 20A maximum.

# Modular Ferrule Fuse Blocks for Midget Class and CC Fuses



## Dimensions

in [mm]



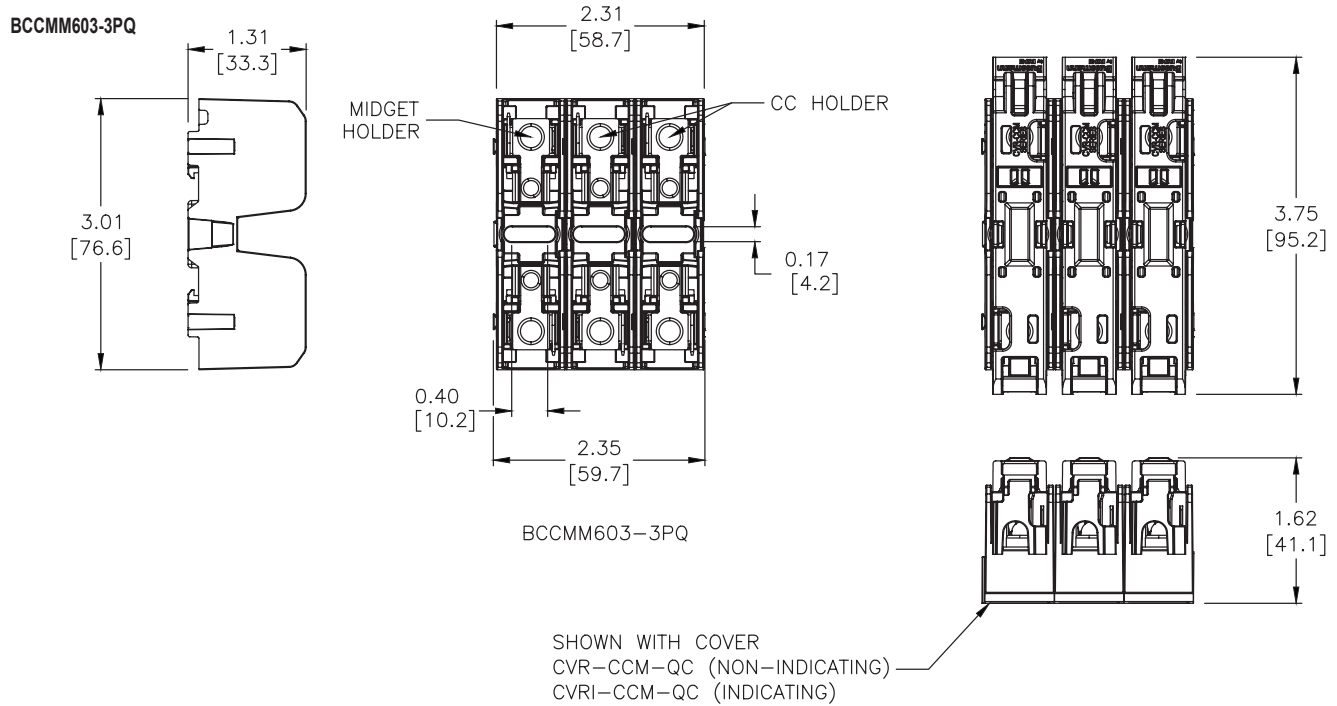
Please see our website for complete engineering drawings. Dimensions are approximate. Not for construction purposes.

# Modular Ferrule Fuse Blocks for Midget Class and CC Fuses



## Dimensions

in [mm]



Please see our website for complete engineering drawings. Dimensions are approximate. Not for construction purposes.