

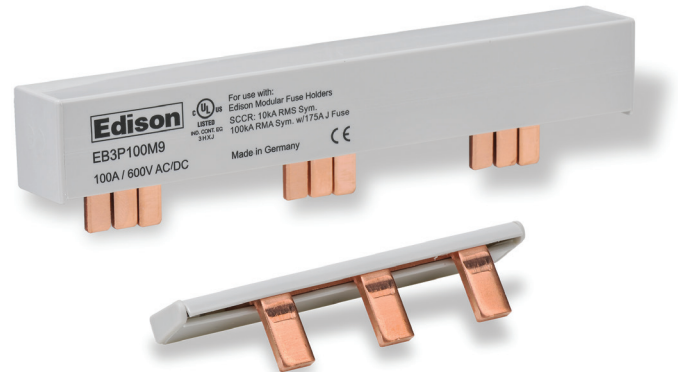
Edison Comb-Bus Bars



Features

- Easily distribute power in single-phase or three-phase configurations
- Flexible cut-to length solutions without compromising on the product's finger-safe features
- 10kA (default) SCCR
- 100kA SCCR (Short Circuit Current Rating) when protected by a 200A Class J fuse
- Single-phase bus bars rated to 1000VDC/600VAC and 100A configuration
- Three-phase bus bars rated to 600VAC/DC and 100A configuration
- Power feed terminals for single-phase and three-phase service

Note: Not to be used with older style CH series fuse holders.



Agency Approvals/Standards

- UL508, File E195399
- CE
- RoHS
- Reach

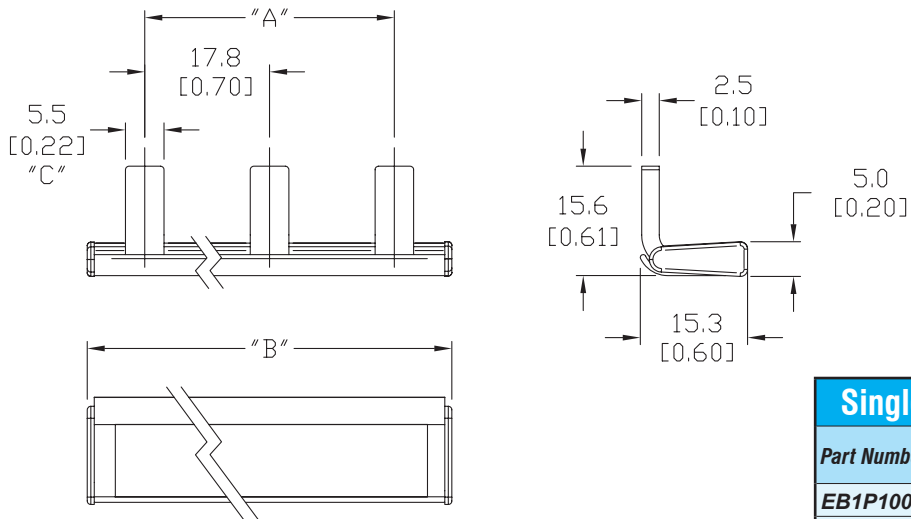
Comb-Bus Bar Selection Table								
Part Number	Wiring Configuration	Maximum Voltage	Maximum Current	Endcap	# of Pins/Connections	Product Weight (lbs.)	Box Qty.	Price
EB1P100M3	Single-phase	600VAC 1000VDC	100A	Ships w/2 Endcaps	3	1.84	1	
EB1P100M6					6	3.90		
EB1P100M9					9	5.38		
EB1P100M12					12	7.94		
EB1P100M15					15	10.00		
EB1P100M57				Sold separately (EECAP1P)	57	15.52	1	
EB3P100M6	Three-phase	600VAC/DC	100A	Ships w/2 Endcaps	6	1.84	1	
EB3P100M9					9	3.07		
EB3P100M12					12	4.28		
EB3P100M15					15	5.54		
EB3P100M57				Sold separately (EECAPMP)	57	44.67	1	

Comb-Bus Bars



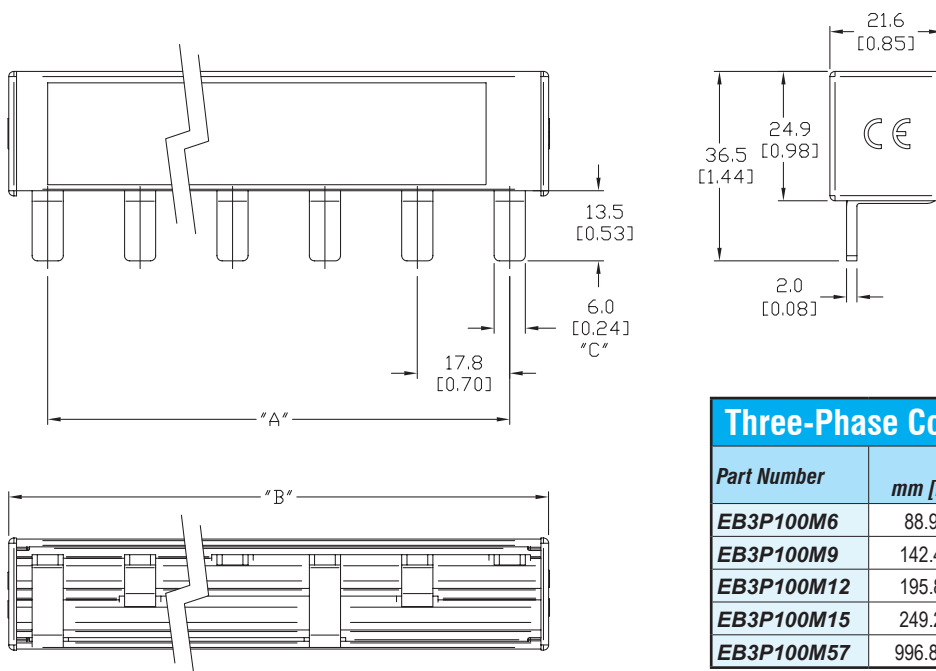
Typical Single-Phase Dimensional Data

mm [inches]



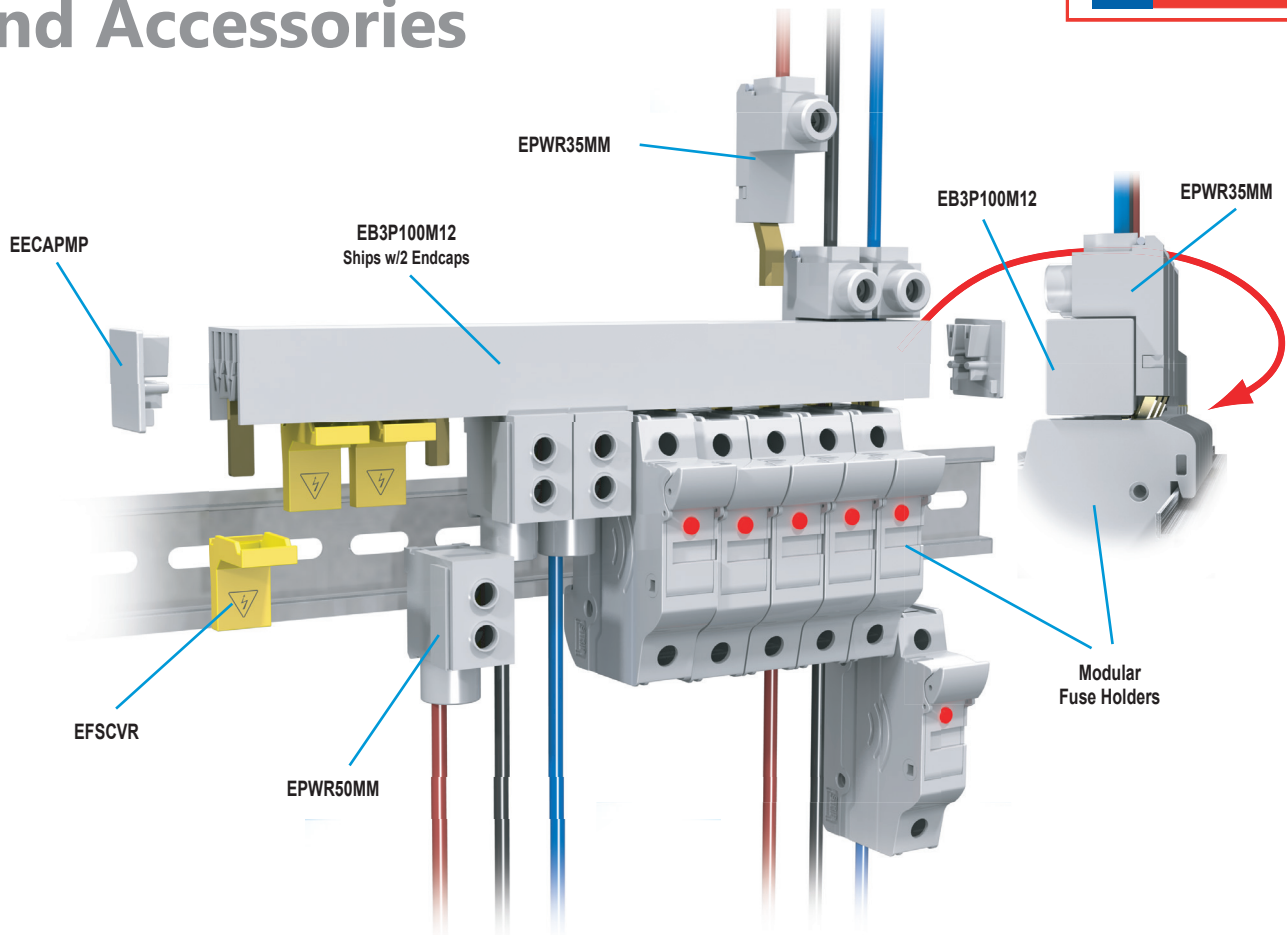
Single-Phase Comb-Bus Bar Dimensions			
Part Number	A mm [inches]	B mm [inches]	C # of pins
EB1P100M3	35.6 [1.40]	60.4 [2.38]	3
EB1P100M6	88.9 [3.50]	113.0 [4.45]	6
EB1P100M9	142.4 [5.61]	157.1 [6.19]	9
EB1P100M12	195.8 [7.71]	211.8 [8.33]	12
EB1P100M15	249.2 [9.81]	271.7 [10.70]	15
EB1P100M57	996.8 [39.24]	1011.2 [39.81]	57

Typical Three-Phase Dimensional Data



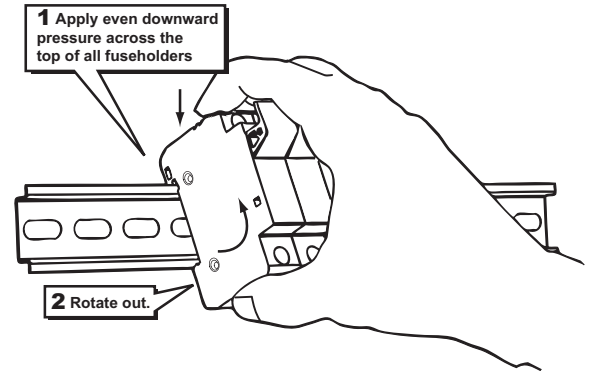
Three-Phase Comb-Bus Bar Dimensions			
Part Number	A mm [inches]	B inches [mm]	C # of Pins
EB3P100M6	88.9 [3.50]	103.7 [4.08]	6
EB3P100M9	142.4 [5.61]	158.4 [6.24]	9
EB3P100M12	195.8 [7.71]	213.3 [8.39]	12
EB3P100M15	249.2 [9.81]	265.0 [10.43]	15
EB3P100M57	996.8 [39.24]	1011.2 [39.81]	57

Comb-Bus Bar Installation and Accessories

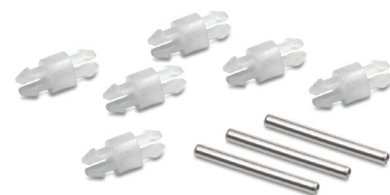


Comb-Bus Bar Accessories				
Part Number	Description	Product Weight (lbs)	Qty. Per Pack	Price
EECAP1P	Single-phase busbar endcap	0.02	50	
EECAP1P-10			10	
EECAPMP	Three-phase busbar endcap	0.22	50	
EECAPMP-10			10	
EPWR35MM	35mm ² feeder terminal for three-phase busbar, wire range: 10-1/0 AWG CU, torque 50 lb-in, (115A, 1000VAC/DC)	0.68	10	
EPWR35MM-1			1	
EPWR50MM	50mm ² direct feed terminal, wire range: 14-1 AWG CU, torque 35 lb-in, (115A, 1000VAC/DC)	0.61	10	
EPWR50MM-1			1	
EFSCVR	Spare contact safety protection covers	0.17	10	
EFSCVR-2			2	
EPWR1PLP	Single-phase low-profile feeder terminal, wire range: 10-1/0 AWG CU, torque 50 lb-in, (115A, 1000VAC/DC)	0.51	10	
EPWR1PLP-1			1	

DIN Rail Removal



Fuse Holder Accessories			
Part Number	Description	Qty. Per Pack	Price
JV-L (Not Field Installable)	Multi-pole connection kit to connect multiple Class CC and Midget Class fuse holders together.	6 connectors 3 handle pins	



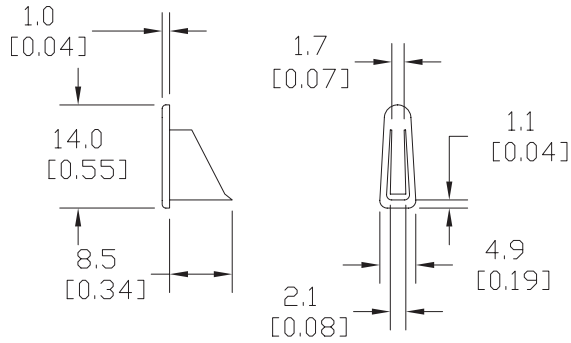
JV-L

Comb-Bus Accessories

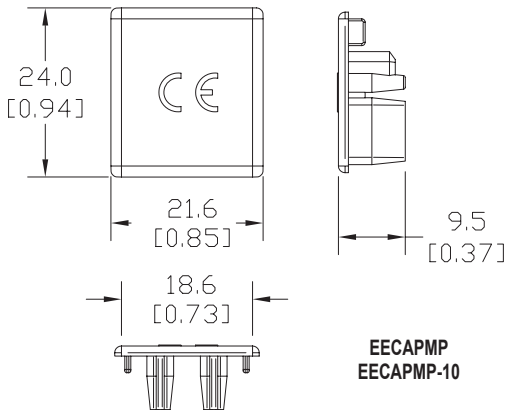


Dimensions

mm [inches]

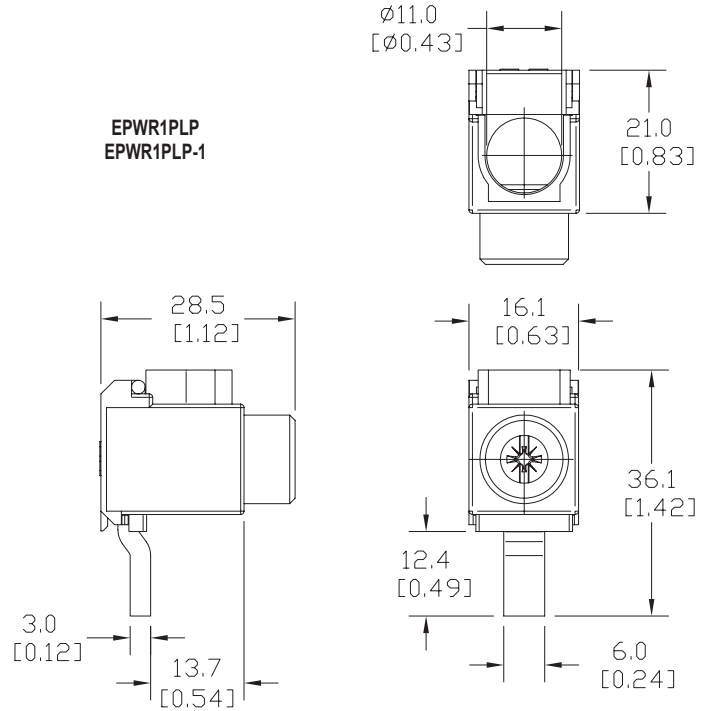


EECAP1P
EECAP1P-10

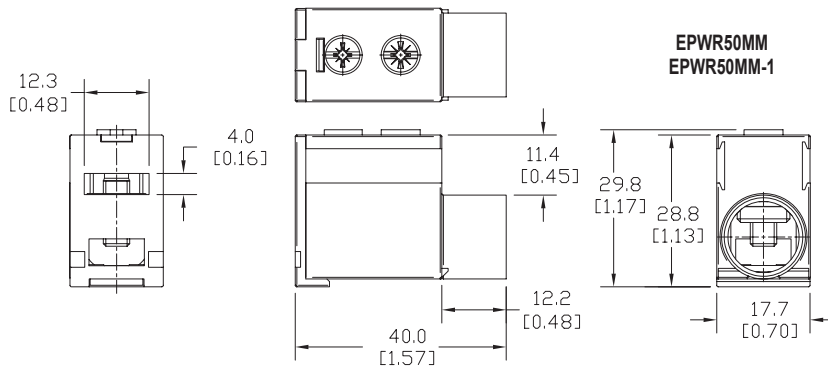


EECAPMP
EECAPMP-10

EPWR1PLP
EPWR1PLP-1



EPWR50MM
EPWR50MM-1



Comb-Bus Accessories

Dimensions

mm [inches]

