

Modular Ferrule Fuse Blocks for Class R Fuses



Description

RM Series for use with Class R fuses LENRK, LESRK, ECNR & ECSR

Mounting

35mm DIN rail or panel mount

Specifications

Materials:

Base – Thermoplastic
 Terminals – Tin-plated copper brass
 Covers – Thermoplastic
 Screws – Zinc-plated steel

SCCR: 200kA

Flammability rating:

Blocks – UL 94V0, self-extinguishing
 Covers – UL 94HB, self-extinguishing

Operating and storage temp range:

Blocks – -40° to 120°C [-40° to 248°F]
 Covers – indicating -20° to 90°C [-4° to 194°F]
 non-indicating -40° to 120°C [-40° to 248°F]

Wire:

Cu – 75°/90°C [167°/194°F]
 Al – 75°C [167°F]
 Ring or Fork terminal to fit a #10-32 screw

Agency Approvals

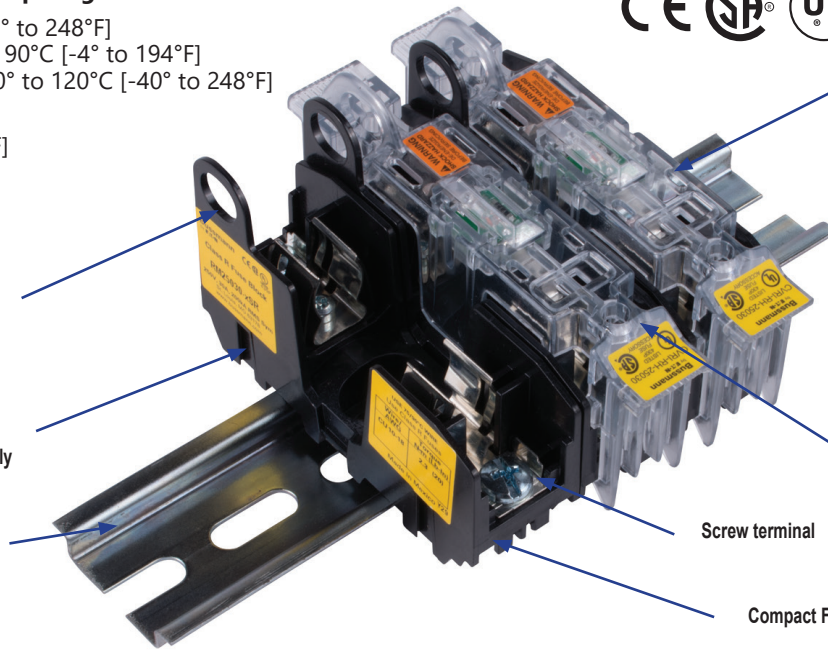
Fuse Blocks

- UL® Listed E14853 - IZLT
- CSA® Certified 47235-6225-01
- CE
- RoHS Compliant
- Conflict mineral free
- REACH Compliant

Covers

- Covers are included in the overall UL Listing/Recognition and CSA Certification
- IP20 finger-safe
- RoHS compliant
- REACH Compliant

To obtain the most current agency approval information, see the Agency Approval Checklist section on the specific part number's web page.



Clear IP20 finger-safe cover (sold separately)

Patented lockout / tagout

Modular dove-tail design for tool-less snap together assembly

DIN Rail or panel mount

Test probe holes

Screw terminal

Compact Footprint

Modular Ferrule Fuse Blocks for Class R Fuses														
Type	Part Number	Pc/ pkg	Price	Volts	Amps	Poles	Wire Range		Torque lb-in [N·m]	Wt. lb [kg]	Covers (sold separately)			
							solid and stranded	fine stranded (Cu)			w/o Indication	w/ Indication ¹	Pc/ pkg	
Screw	RM25030-1SR	1		250V AC/DC	30	1	18-10 AWG (Cu)	18-10 AWG	20 [2.3]	0.10 [0.04]	CVR-RH-25030	CVRI-RH-25030	1	
	RM25030-2SR	1	2			0.15 [0.07]								
	RM25030-3SR	1	3			0.25 [0.12]								
Box Lug	RM25060-1CR	1			600V AC/DC	60	1	14-2 AWG (Cu) 8-2 AWG (Al)	3-2 AWG 6-4 AWG 8 AWG 14-10 AWG	50 [5.6] 45 [5.1] 40 [4.5] 35 [4.0]	0.15 [0.07]	CVR-RH-25060	CVRI-RH-25060	1
	RM25060-2CR	1	2				0.30 [0.14]							
	RM25060-3CR	1	3				0.45 [0.22]							
Screw	RM60030-1SR	1		600V AC/DC		30	1	18-10 AWG (Cu)	18-10 AWG	20 [2.3]	0.15 [0.07]	CVR-RH-60030	CVRI-RH-60030	1
	RM60030-2SR	1	2				0.30 [0.14]							
	RM60030-3SR	1	3				0.45 [0.22]							
Box Lug	RM60060-1CR	1			600V AC/DC	60	1	14-2 AWG (Cu) 8-2 AWG (Al)	3-2 AWG 6-4 AWG 8 AWG 14-10 AWG	50 [5.6] 45 [5.1] 40 [4.5] 35 [4.0]	0.25 [0.12]	CVR-RH-60060	CVRI-RH-60060	1
	RM60060-2CR	1	2				0.45 [0.22]							
	RM60060-3CR	1	3				0.70 [0.30]							

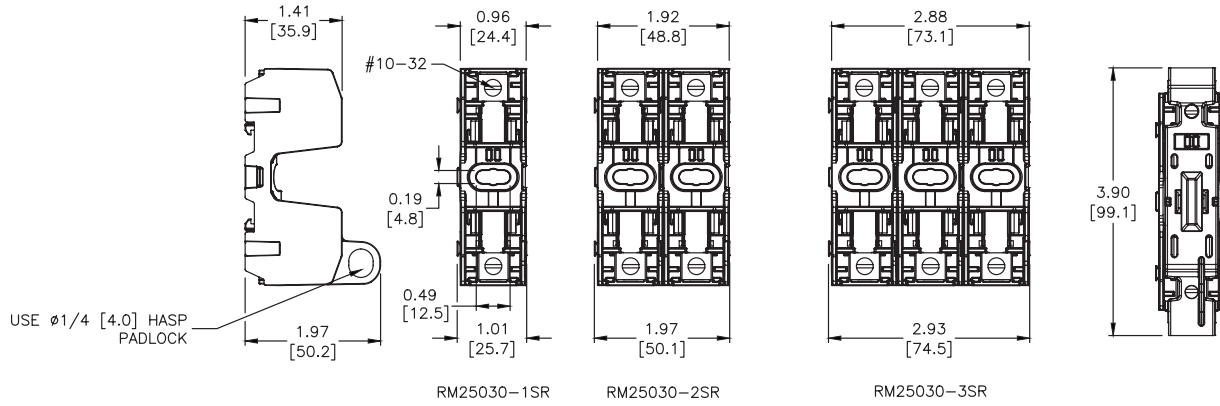
¹ Open fuse indication requires 90V minimum and closed circuit to operate.

Modular Ferrule Fuse Blocks for Class R Fuses

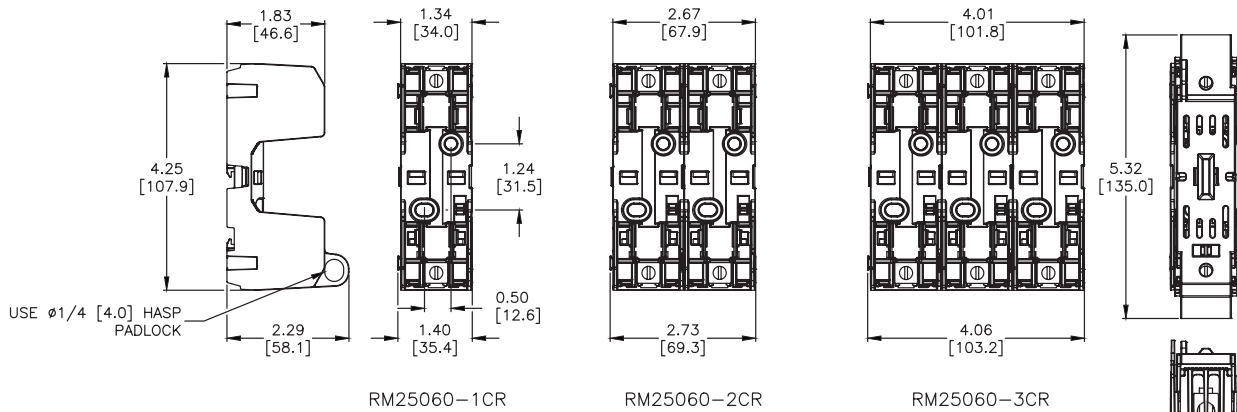
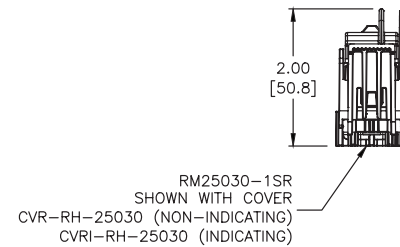


Dimensions

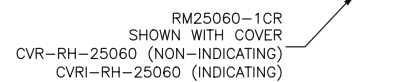
in [mm]



RM25030



RM25060



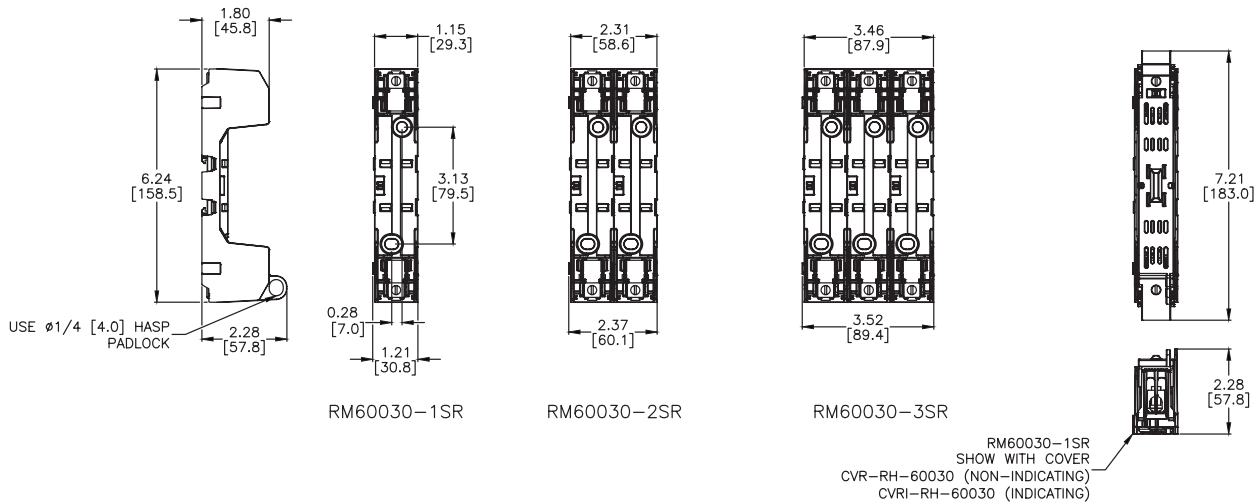
Please see our website for complete engineering drawings. Dimensions are approximate. Not for construction purposes.

Modular Ferrule Fuse Blocks for Class R Fuses

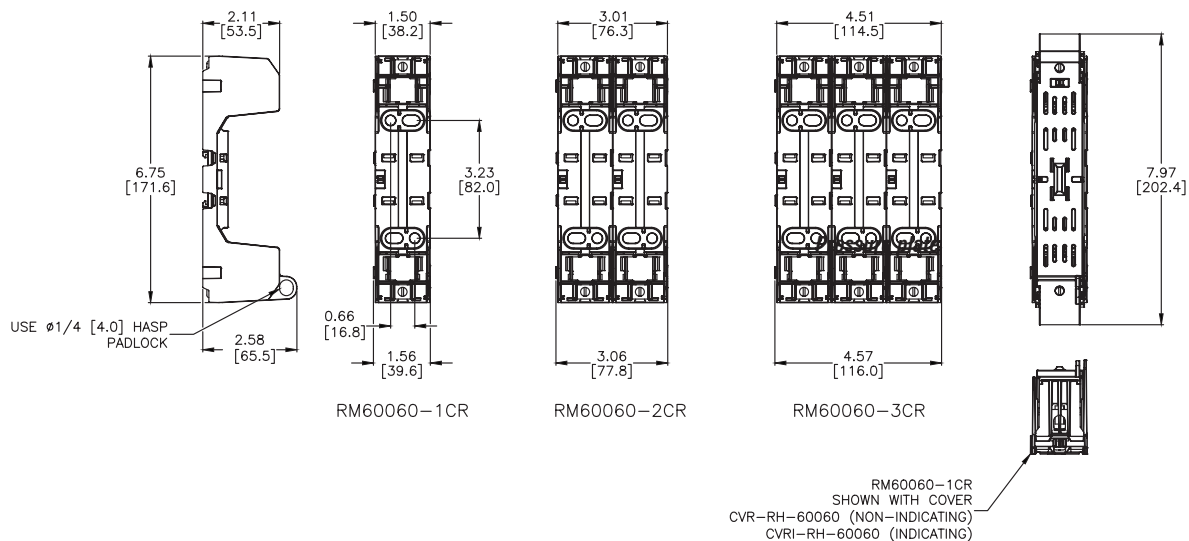


Dimensions

in [mm]



RM60030



RM60060

Please see our website for complete engineering drawings. Dimensions are approximate. Not for construction purposes.

Modular Fuse Blocks for Class R Fuses



Description

For use with Edison ECNR, ECSR, LENRK, LESRK, Class R fuses

Specifications

Materials:

Base – thermoplastic
Box lug terminals – tin-plated aluminum

SCCR: 200kA sym RMS

Flammability rating:

Blocks – UL 94V0, self-extinguishing
Covers – UL 94HB, self-extinguishing

Operating and storage temp range:

Blocks – -40° to 120°C [-40° to 248°F]
Covers – indicating -20° to 90°C [-4° to 194°F]
– non-indicating -40° to 120°C [-40° to 248°F]

Wire:

Cu/Al – 75°/90°C [167°/194°F](100-200 A)
Cu/Al – 75°C [167°F] only (400-600 A)

Note: Higher temperature rated wire can be used with appropriate derating.

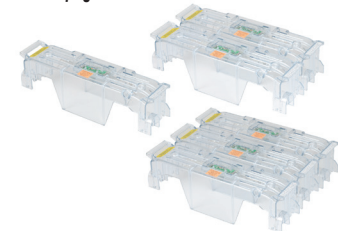
Agency Approvals

- Blocks – UL - Listed cULus E14853 – IZLT & IZLT7
- CSA - Certified 47235 – 6225-01
- Covers – UL - Listed UL E58836 – JDVS
- CE, RoHS, Reach Compliant

To obtain the most current agency approval information, see the Agency Approval Checklist section on the specific part number's web page.



Class R Fuse Blocks



Class R Fuse Block Covers

RM Series Modular Fuse Blocks										
Part Number (1 pc/pkg)	Volts	Amps	Poles	Wire Range		Torque lb-in [N-m]	Wt. lb [kg]	Covers*		
				solid and stranded**	fine stranded(Cu)			w/o Indication	with Indication	Pcs/Pkg
RM25100-1CR-1	250	100	1	–	3-1 AWG	55 [6.2]	0.86 [0.39]	CVR-RH-25100-1	CVRI-RH-25100-1	1
RM25100-1CR-2			2	3-1/0 AWG; (2) Cu 6-4 AWG 6-4 AWG; (2) Cu 8AWG 8AWG; (2) Cu 14-10 AWG	6-4 AWG 8AWG	50 [5.6] 45 [5.1]	1.72 [0.78]	CVR-RH-25100-2	CVRI-RH-25100-2	2
RM25100-1CR-3			3	Cu 14-10 AWG; Al 12-10 AWG	–	40 [4.5] 35 [4.0]	2.58 [1.17]	CVR-RH-25100-3	CVRI-RH-25100-3	3
RM25200-1CR-1	250	200	1	1AWG - 250MCM 6-2 AWG; (2) Cu 6-2 AWG	1-3/0 AWG 6-2 AWG	375 [42] 275 [31]	0.88 [0.4]	CVR-RH-25200-1	CVRI-RH-25200-1	1
RM25200-1CR-2			2				1.76 [0.8]	CVR-RH-25200-2	CVRI-RH-25200-2	2
RM25200-1CR-3			3				2.64 [1.2]	CVR-RH-25200-3	CVRI-RH-25200-3	3
RM25400-1CR-1	250	400	1	600MCM 500MCM - 4AWG (2) Cu 4-3/0 AWG (2) Al 4-3/0 AWG	N/A	500 [57] 450 [51] 500 [57] 300 [34]	2.24 [1.02]	CVR-RH-25400-1	CVRI-RH-25400-1	1
RM25400-1CR-3			3				6.72 [3.06]	CVR-RH-25400-3	CVRI-RH-25400-3	3
RM25600-1CR-1	250	600	1	(2) 4AWG - 500 MCM	N/A	450 [51]	4.04 [1.83]	CVR-RH-25600-1	CVRI-RH-25600-1	1
RM25600-1CR-3 3.00			3				12.12 [5.49]	CVR-RH-25600-3	CVRI-RH-25600-3	3
RM60100-1CR-1	600	100	1	– 3-1/0 AWG; (2) Cu 6-4 AWG 6-4 AWG; (2) Cu 8AWG 8AWG; (2) Cu 14-10 AWG Cu 14-10 AWG; Al 12-10 AWG	3-1 AWG 6-4 AWG 8AWG – –	55 [6.2] 50 [5.6] 45 [5.1] 40 [4.5] 35 [4.0]	0.34 [0.16]	CVR-RH-60100-1	CVRI-RH-60100-1	1
RM60100-1CR-2			2				0.68 [0.32]	CVR-RH-60100-2	CVRI-RH-60100-2	2
RM60100-1CR-3			3				1.02 [0.48]	CVR-RH-60100-3	CVRI-RH-60100-3	3
RM60200-1CR-1	600	200	1	1AWG - 250MCM 6-2 AWG; (2) Cu 6-2 AWG	1-3/0 AWG 6-2 AWG	375 [42] 275 [31]	0.92 [0.42]	CVR-RH-60200-1	CVRI-RH-60200-1	1
RM60200-1CR-2			2				1.84 [0.84]	CVR-RH-60200-2	CVRI-RH-60200-2	2
RM60200-1CR-3			3				5.52 [2.52]	CVR-RH-60200-3	CVRI-RH-60200-3	3
RM60400-1CR-1	600	400	1	600MCM 4AWG - 500MCM (2) Cu 4-3/0 AWG (2) Al 4-3/0 AWG	N/A	500 [57] 450 [51] 500 [57] 300 [34]	2.32 [1.05]	CVR-RH-60400-1	CVRI-RH-60400-1	1
RM60400-1CR-3			3				6.96 [3.15]	CVR-RH-60400-3	CVRI-RH-60400-3	3
RM60600-1CR-1	600	600	1	(2) 4AWG - 500MCM	N/A	450 [51]	4.16 [1.88]	CVR-RH-60600-1	CVRI-RH-60600-1	1
RM60600-1CR-3 4.00			3				12.48 [5.64]	CVR-RH-60600-3	CVRI-RH-60600-3	3

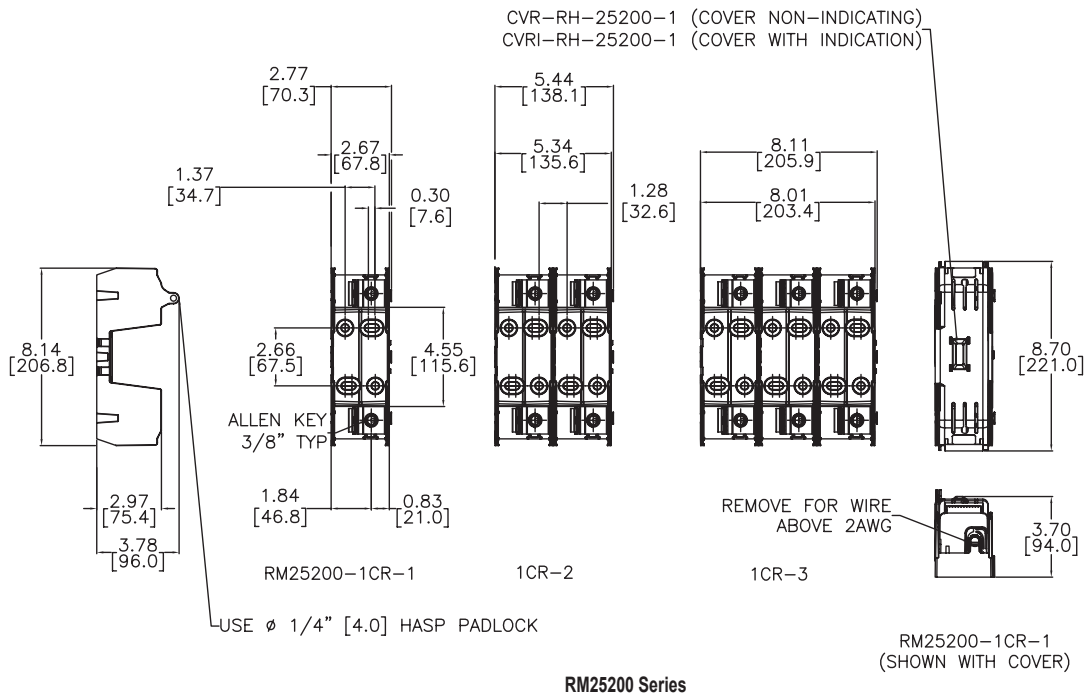
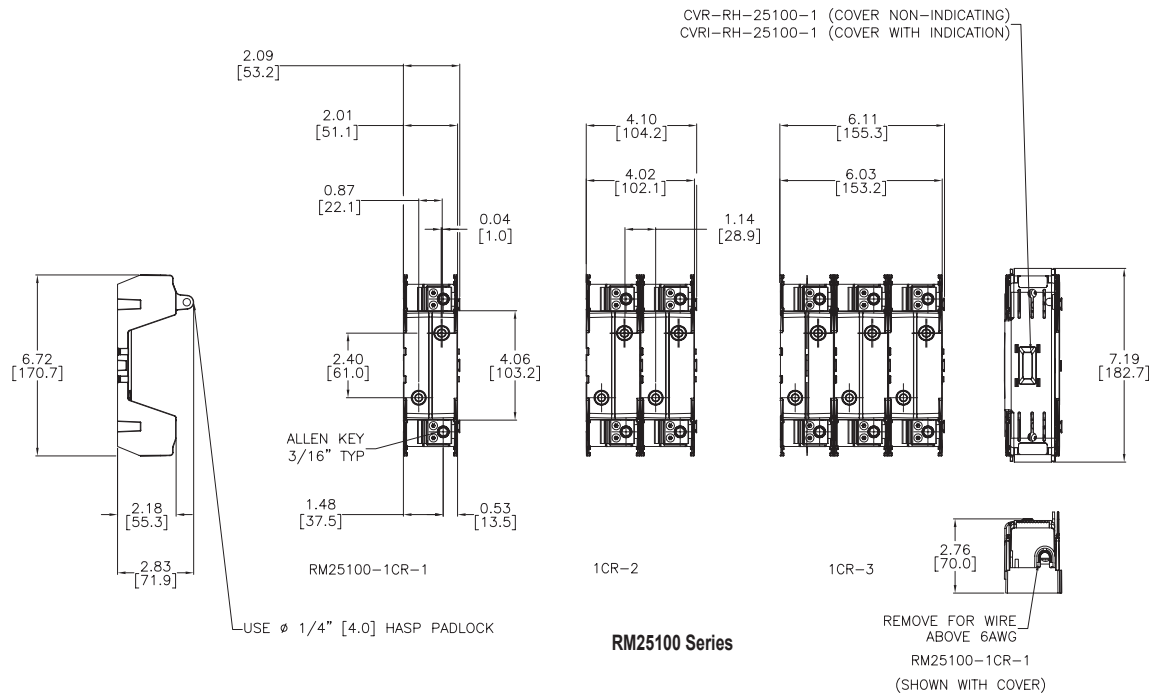
* Covers sold separately. Blown fuse indication requires 90V minimum and closed circuit to operate.

** Ratings are for copper and aluminum wire except where otherwise noted.

Fuse Blocks for Class R Fuses



Dimensions in [mm]

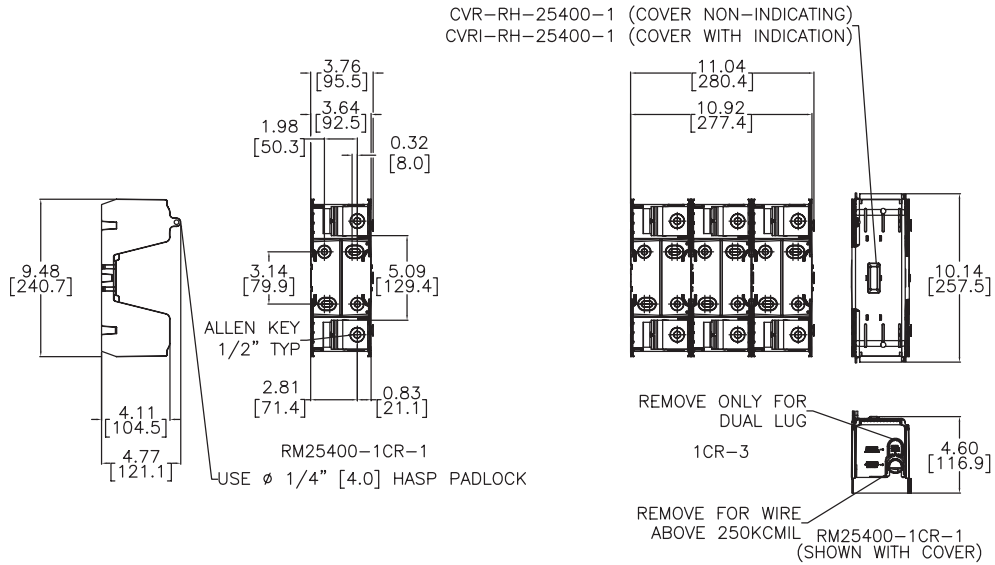


Please see our website for complete engineering drawings. Dimensions are approximate. Not for construction purposes.

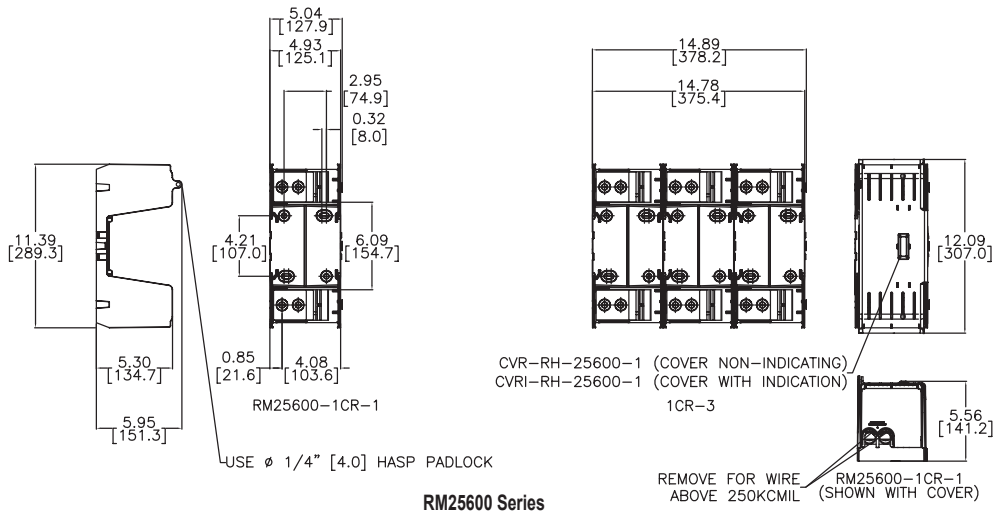
Fuse Blocks for Class R Fuses



Dimensions in [mm]



RM25400 Series



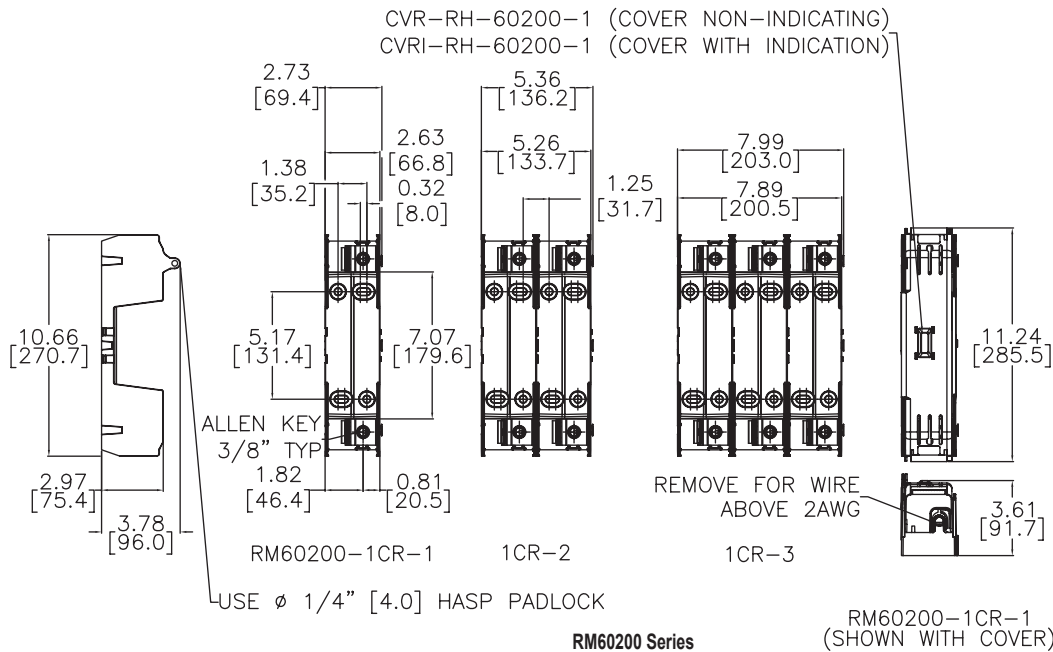
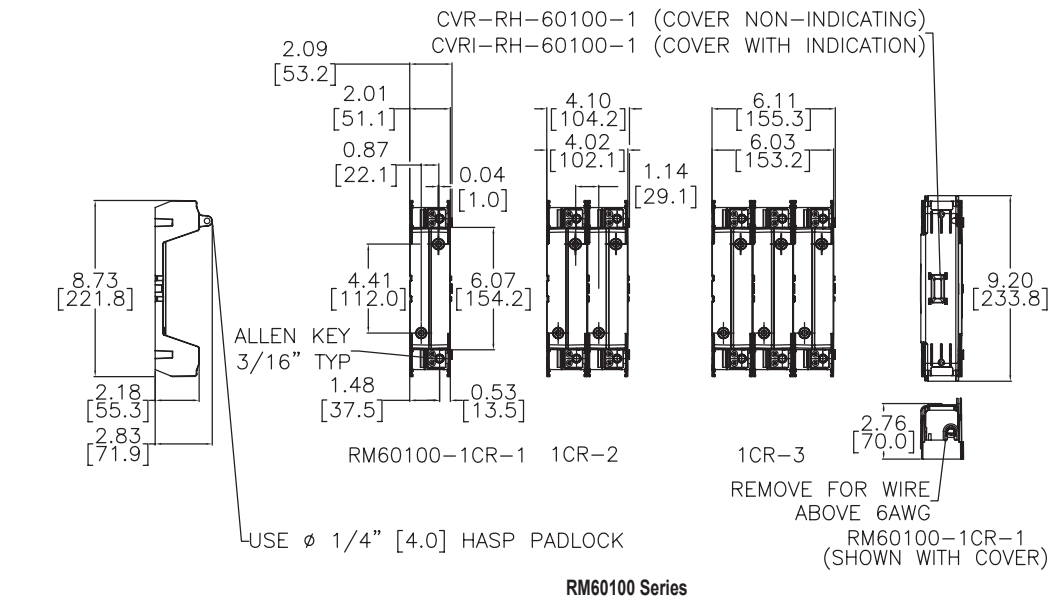
RM25600 Series

Please see our website for complete engineering drawings. Dimensions are approximate. Not for construction purposes.

Fuse Blocks for Class R Fuses



Dimensions in [mm]

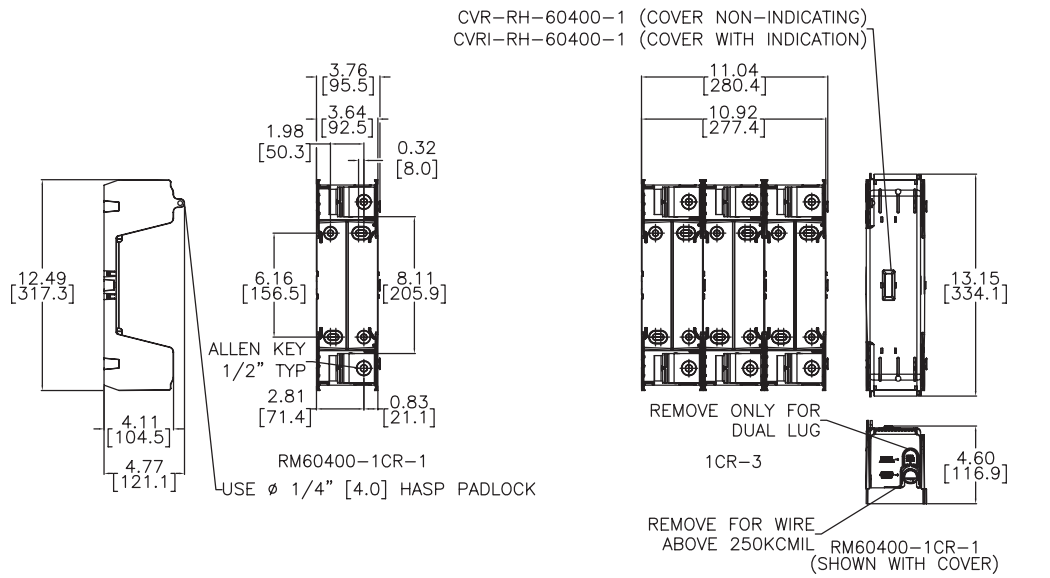


Please see our website for complete engineering drawings. Dimensions are approximate. Not for construction purposes.

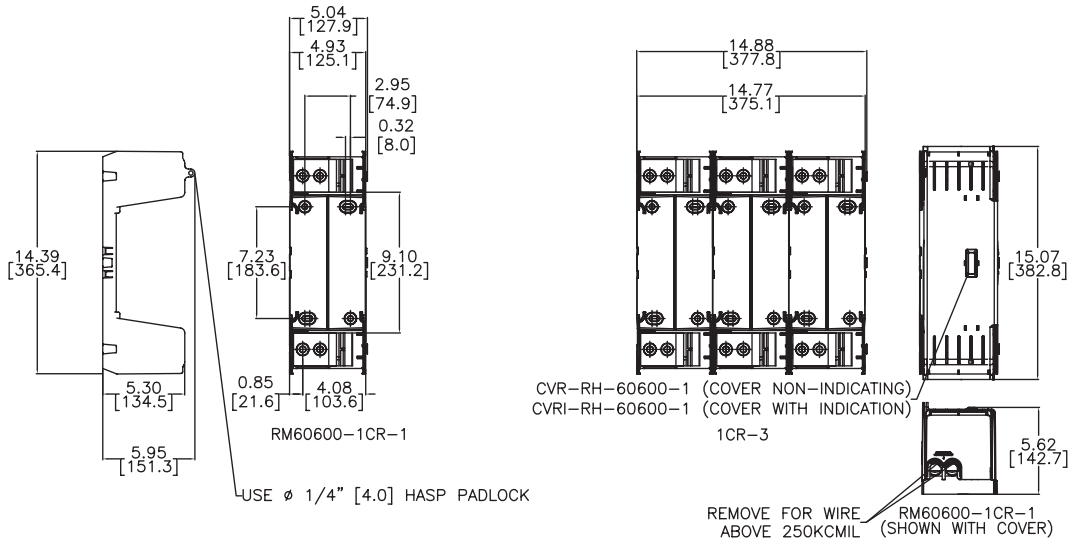
Fuse Blocks for Class R Fuses



Dimensions in [mm]



RM60400 Series



RM60600 Series

Please see our website for complete engineering drawings. Dimensions are approximate. Not for construction purposes.