

DL05/06 I/O Option Modules

FO-04THM

4-channel thermocouple input module

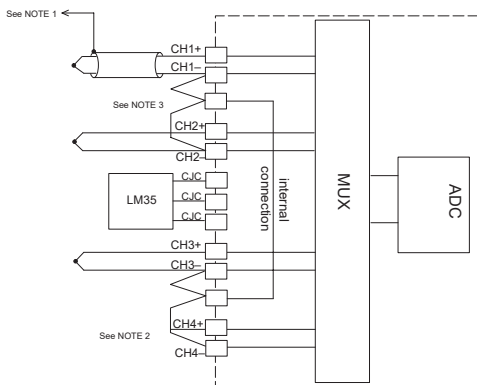
FO-04THM 4-Channel Thermocouple Input	
General Specifications	
Number of Channels	4, differential
Common Mode Range	-1.3 VDC to +3.8 VDC
Common Mode Rejection	100dB min. @ VDC 50–60 Hz.
Input Impedance	5MΩ
Absolute Maximum Ratings	Fault-protected inputs to ±50VDC
Accuracy vs. Temperature (Max. Full Scale Error)	±15ppm/°C maximum 0 - 1.25V ±35ppm/°C maximum (Including maximum offset change)
PLC Update Rate	4 channels per scan
Digital Inputs	None; uses special V-memory location based on slot
Base Power Required	30mA @ 5VDC supplied by base
Operating Temperature	32° to 140°F (0° to 60°C)
Storage Temperature	-4° to 158°F (-20° to 70°C)
Relative Humidity	5 to 95% (non-condensing)
Environmental Air	No corrosive gases permitted
Vibration	MIL STD 810C 514.2
Shock	MIL STD 810C 516.2
Noise Immunity	NEMA ICS3-304
Terminal Block Replacement	FO-IOCON-THM (comes with CJC)

CPU	Firmware Required	DirectSOFT Required
DL05	Version 4.60 or later	DirectSOFT32 Version 3.0c or later
DL06	Version 1.40 or later	DirectSOFT32 Version 4.0, Build 16 or later

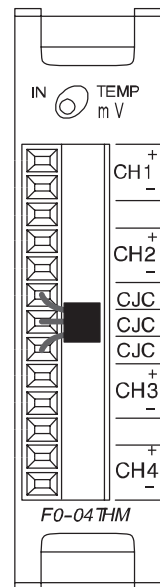
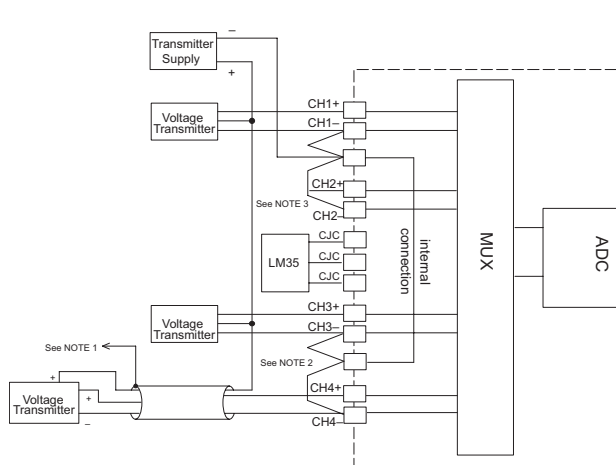
Thermocouple Specifications		
Input Ranges	Type J -190 to 760°C	-310 to 1400°F
	Type E -210 to 1000°C	-346 to 1832°F
	Type K -150 to 1372°C	-238 to 2502°F
	Type R 65 to 1768°C	149 to 3214°F
	Type S 65 to 1768°C	149 to 3214°F
	Type T -230 to 400°C	-382 to 752°F
	Type B 529 to 1820°C	984 to 3308°F
	Type N -70 to 1300°C	-94 to 2372°F
	Type C 65 to 2320°C	149 to 4208°F
Display Resolution	±0.1°C or ±0.1°F	
Cold Junction Compensation	Automatic	
Conversion Time	270ms per channel	
Warm-Up Time	30 minutes typically ± 1°C repeatability	
Linearity Error (End to End)	±1°C maximum, ±0.5°C typical	
Maximum Inaccuracy	±3°C (excluding thermocouple error)	

Voltage Input Specifications	
Voltage Ranges	0-39.0625mV, ±39.0625mV, ±78.125mV, 0-156.25mV, ±156.25mVDC, 0-1.25V
Resolution	16 bit (1 in 65535)
Max. Offset Error (All Input Ranges)	0.05% @ 0-60°C; Typical: 0.04% @ 25°C
Linearity Error (All Input Ranges)	0.05% @ 0-60°C; Typical: 0.03% @ 25°C
Maximum Inaccuracy	0-39.0625mV, ±39.0625mV, ±78.125mV ranges: 0.1% @ 0-60°C; Typical: 0.04% @ 25°C 0-156.25mV, ±156.25mVDC, 0-1.25V ranges: 0.05% @ 0-60°C; Typical: 0.04% @ 25°C

Thermocouple Input wiring diagram



Voltage Input wiring diagram



Notes:

1. Shields should be grounded at the PLC power source only.
2. Unused channels should have a shorting wire (jumper) installed from CH+ to CH-.
3. All CH- terminals must be connected together.
4. This module is not compatible with the ZIPLink wiring system.

Power Budgeting for the DL06

The DL06 has four option module slots. To determine whether the combination of modules you select will have sufficient power, you will need to perform a power budget calculation.

Power supplied

Power is supplied from two sources: the internal base unit power supply and, if required, an external supply (customer furnished). The D0-06xx (AC powered) PLCs supply a limited amount of 24VDC power. The 24VDC output can be used to power external devices.

For power budgeting, start by considering the power supplied by the base unit. All DL06 PLCs supply the same amount of 5VDC power. Only the AC units offer 24VDC auxiliary power.

Be aware of the trade-off between 5VDC power and 24VDC power. The amount of 5 VDC power available depends on the amount of 24VDC power being used, and the amount of 24VDC power available depends on the amount of 5VDC power consumed. Determine the amount of internally supplied power from the table to the right.

Power required by base unit

Because of the different I/O configurations available in the DL06 family, the power consumed by the base unit itself varies from model to model. Subtract the amount of power required by the base unit from the amount of power supplied by the base unit. Be sure to subtract 5VDC and 24VDC amounts.

Power required by option modules

Next, subtract the amount of power required by the option modules you are planning to use. Again, remember to subtract both 5VDC and 24VDC.

If your power budget analysis shows surplus power available, you should have a workable configuration.

DL06 Power Supplied by Base Units		
Part Number	5 VDC (mA)	24 VDC (mA)
D0-06xx	1500mA	300mA
	2000mA	200mA
D0-06xx-D	1500mA	none

DL06 Base Unit Power Required		
Part Number	5 VDC (mA)	24 VDC (mA)
D0-06AA	800mA	none
D0-06AR	900mA	none
D0-06DA	800mA	none
D0-06DD1	600mA	280mA*
D0-06DD2	600mA	none
D0-06DR	950mA	none
D0-06DD1-D	600mA	none
D0-06DD2-D	600mA	none
D0-06DR-D	950mA	none

* Only if auxiliary 24VDC power is connected to V+ terminal.

DL06 Power Consumed by Other Devices		
Part Number	5 VDC (mA)	24 VDC (mA)
D0-06LCD	50mA	none
D2-HPP	200mA	none
DV-1000	150mA	none
C-more Micro-Graphic	210mA	none

Power Budgeting Example			
Power Source		5VDC power (mA)	24VDC power (mA)
D0-06DD1 (select row A or B)	A	1500mA	300mA
	B	2000mA	200mA
Current Required		5VDC power (mA)	24VDC power (mA)
	D0-06DD1	600mA	280mA*
	D0-16ND3	35mA	0
	D0-10TD1	150mA	0
	D0-08TR	280mA	0
	F0-4AD2DA-1	100mA	0
	D0-06LCD	50mA	0
Total Used		1215mA	280mA
Remaining	A	285mA	20mA
	B	785mA	note 1

* Auxiliary 24 VDC used to power V+ terminal of D0-06DD1 sinking outputs.

Note 1: If the PLC's auxiliary 24 VDC power source is used to power the sinking outputs, use power choice A, above.

DL05/06 Power Consumed by Option Modules		
Part Number	5 VDC (mA)	24 VDC (mA)
D0-07CDR	130mA	none
D0-08CDD1	100mA	none
D0-08TR	280mA	none
D0-10ND3	35mA	none
D0-10ND3F	35mA	none
D0-10TD1	150mA	none
D0-10TD2	150mA	none
D0-16ND3	35mA	none
D0-16TD1	200mA	none
D0-16TD2	200mA	none
F0-04TRS	250mA	none
F0-08NA-1	5mA	none
F0-04AD-1	50mA	none
F0-04AD-2	75mA	none
F0-08ADH-1	25mA	25mA
F0-08ADH-2	25mA	25mA
F0-04DAH-1	25mA	150mA
F0-08DAH-1	25mA	220mA
F0-04DAH-2	25mA	30mA
F0-08DAH-2	25mA	30mA
F0-2AD2DA-2	50mA	30mA
F0-4AD2DA-1	100mA	40mA
F0-4AD2DA-2	100mA	none
F0-04RTD	70mA	none
F0-04THM	30mA	none
D0-DEVNETS	45mA	none
H0-CTRIO2	250mA	none
H0-ECOM100	300mA	none
F0-08SIM	1mA	none
D0-DCM	250 mA	none
F0-CP128	150 mA	none
F0-08SIM	1 mA	none