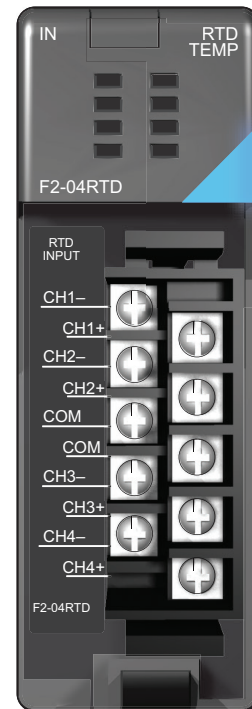
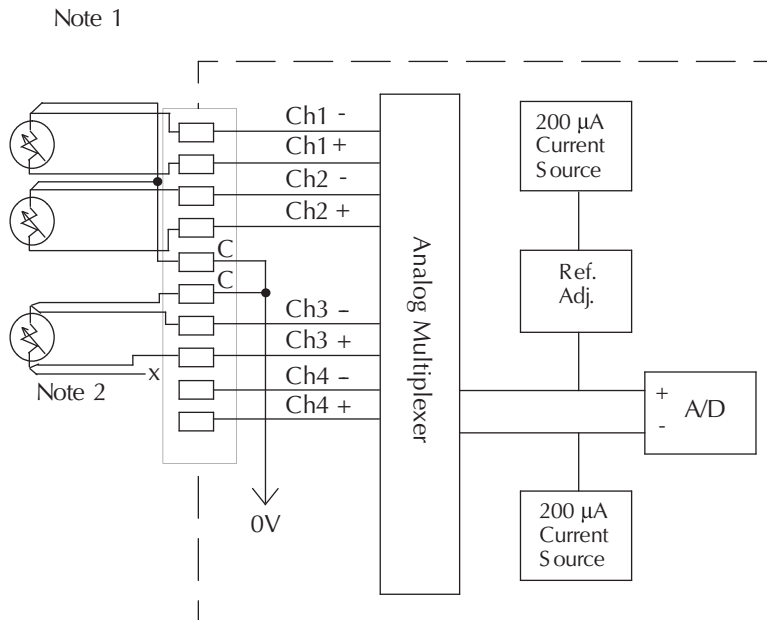


Temperature Input Modules

| F2-04RTD 4-Channel RTD In | |
|---------------------------------|--|
| Number of Channels | 4 |
| Input Ranges | Type Pt100: -200.0 to 850.0°C, -328 to 1562°F Type Pt1000: -200.0 to 595.0°C, -328 to 1103°F Type jPt100: -38.0 to 450.0°C, -36 to 842°F Type Cu-10Ω/Cu-25Ω: -200.0 to 260.0°C, -328 to 500°F |
| Resolution | 16 bit (1 in 65535) |
| Display Resolution | ±0.1°C, ±0.1°F (±3276.7) |
| RTD Excitation Current | 210µA |
| Input Type | Differential |
| Notch Filter | >50dB notches at 50/60 Hz -3dB = 13.1 Hz |
| Maximum Setting Time | 100ms (full-scale step input) |
| Common Mode Range | 0-5 VDC |
| Absolute Maximum Ratings | Fault protected inputs to ±50VDC |
| Sampling Rate | 160ms per channel |

| | |
|--------------------------------------|---|
| Converter Type | Charge Balancing |
| Linearity Error | ±0.05°C maximum, ±0.01°C typical |
| Maximum Inaccuracy | Type Pt100, Pt1000, jPt100: ±1°C Type Cu-10Ω/Cu-25Ω: ±5°C |
| PLC Update Rate | 4 channel/scan max., D2-250-1 and D2-262 CPUs |
| Digital Input Points Required | 32 input points (16 binary data bits, 2 channel ID bits, 4 fault bits) |
| Base Power Required 5VDC | 90A |
| Operating Temperature | 32° to 140°F (0° to 60°C) |
| Storage Temperature | -4° to 158°F (-20° to 70°C) |
| Temperature Drift | None (self-calibrating) |
| Relative Humidity | 5% to 95% (non-condensing) |
| Environmental Air | No corrosive gases permitted |
| Vibration | MIL STD 810C 514.2 |
| Shock | MIL STD 810C 516.2 |
| Noise Immunity | NEMA ICS3-304 |
| Terminal Type (included) | Removable; D2-8IOCON |

Typical user wiring



Notes:

1. The three wires connecting the RTD to the module must be the same type and length. Do not use the shield or drain wire for the third connection.
2. If an RTD sensor has four wires, the plus sense wire should be left unconnected as shown.
3. This module is not compatible with the ZIPLink wiring systems.