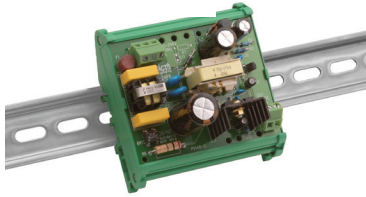


Power Supplies: Open Frame

The most economical choice for 24 VDC power

FA-24PS

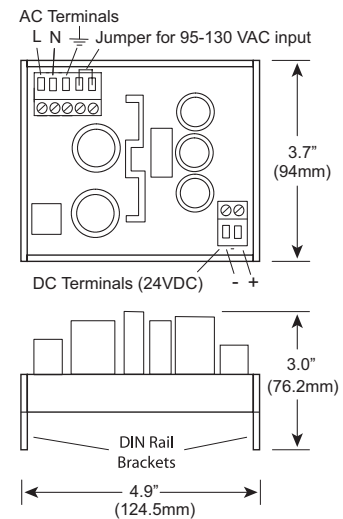
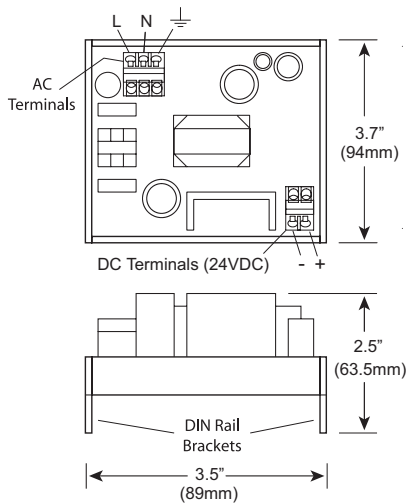
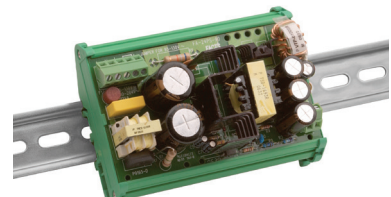


These power supplies are especially useful when an inexpensive external supply is required.

The FA-24PS compact switching power supply accepts 120/240 VAC or 100-240 DC input and provides up to 1.25A (30 watts) output current at 24 VDC.

The FA-24PS-90 supplies 3.7A (90 watts) at 24 VDC and its input is jumper selectable between 120 or 240 VAC.

FA-24PS-90



General Specifications		
Part Number	FA-24PS	FA-24PS-90
Input Voltage Range	100-240 VAC/DC	95-130 VAC or 190-264 VAC, jumper selectable
Input Voltage Frequency	47 to 63 Hz	47 to 63 Hz
Input Power	40 VA	112 VA
Output Voltage	24 VDC \pm 5%	24 VDC \pm 5%
Output Current	1.25 A maximum continuous	3.7 A maximum continuous, subject to derating
Output Ripple	\pm 200 mV maximum	\pm 200 mV maximum
Temperature Rating	0°C to 60°C full rated	0°C to 30°C full rated; derate current 1.1% per degree above 30°C; 60°C max
Transient Response	Output stays within 1% for a load current change from 75% (0.9A) to either 50% (0.6A) or 100% (1.25A)	Output stays within 1% for a load current change from 75% (2.8A) to either 50% (1.8A) or 100% (3.7A)
Mounting	DIN rail, 35mm wide; Models DN-R35S1 or DN-R35HS1	DIN rail, 35mm wide; Models DN-R35S1 or DN-R35HS1
Screw Terminals	Wire Size: 18-12 AWG Rec. Screw Torque: 4.4 in•lb or 0.5 Nm	Wire Size: 18-12 AWG Rec. Screw Torque: 4.4 in•lb or 0.5 Nm
Insulation Resistance	10 M Ω at 500 V minimum	10 M Ω at 500 V minimum
Dielectric Withstand Voltage	L or N Input to Output: 500 V min; Ground Input to Output: 250 V min	L or N Input to Output: 500 V min; Ground Input to Output: 250 V min
Brown-out Protection	Provides temporary regulation down to 85 VAC at full load	Provides temporary regulation at 95VAC at full load
Input Protection	The power supply has an internal fuse for the AC input line, rated at 3.15 amps; not user replaceable; external input fusing required.	The power supply has an internal fuse for the AC input line, rated at 3.15 amps; not user replaceable; external input fusing required.
Overload Protection	Protects power supply from overload and short circuit conditions. Includes automatic recovery upon removal of the overload condition	Protects power supply from overload and short circuit conditions. Includes automatic recovery upon removal of the overload condition
Inrush Current (2mS)	115 V <12.5 A / 230 VAC <13.9 A	115 VAC <79 A / 230 VAC <37 A
Overshoot Protection	No overshoot on turn-on or turn-off	No overshoot on turn-on or turn-off
Agency Standards and Approvals	UL 508; Class I, Div 2, Groups A, B, C, D hazardous locations; CUL, UL Listed File E200031	