

T-Couplers

Features and Selection Guide

- Molded T-couplers allow for various wire splitting
- Standard M12 or M8 connections available
- Uses include splitting power to multiple devices or bringing multiple device signals into a wiring block
- Made of molded polyurethane



T-Couplers Selection Table

Part Number	Price	Trunk Connection	Poles	Branch Connection	Poles
7000-41121-0000000		1 M12 male	5	2 M12 female	4
7000-41141-0000000		1 M12 male	5	2 M12 female	5
7000-41181-0000000		1 M12 male	5	2 M12 female	5
7000-41201-0000000		1 M12 male	4	2 M8 female	3

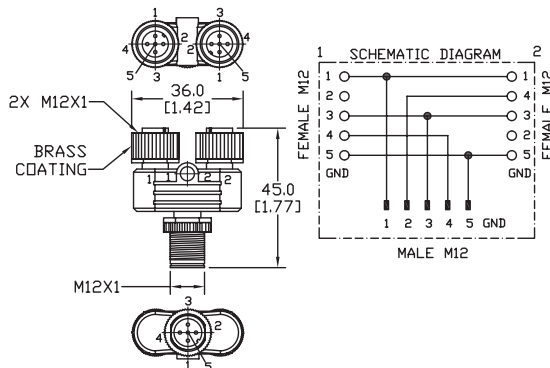
Field Wireable Connectors T-Couplers Specifications

Outside Cable Diameter	41121	41141	41181	41201
Nominal Voltage	60V AC/DC	60V AC/DC	60V AC/DC	60V AC/DC
Current (max)	4A			
Temperature	-25° to 85°C (13° to 185°F)			
Environmental Protection	IP67			
Material	Housing: Polyurethane (PUR)			
Screw	Zinc diecast; torque: M12x1 0.6 Nm			
Connection	Pluggable, screw-locking			
Weight	0.06 oz (27.21 g)	0.06 oz (27.21 g)	0.06 oz (27.21 g)	0.05 oz (22.68 g)
Agency Approvals	cULus Listed E325311			

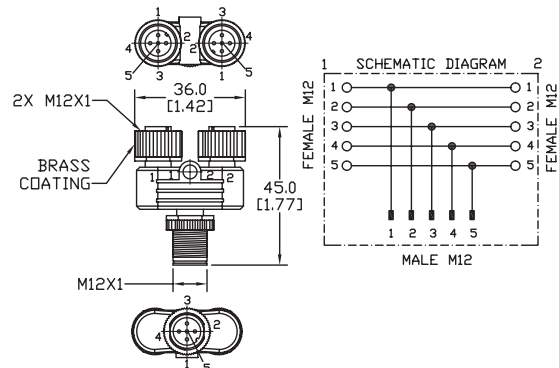
Dimensions

mm [inches]

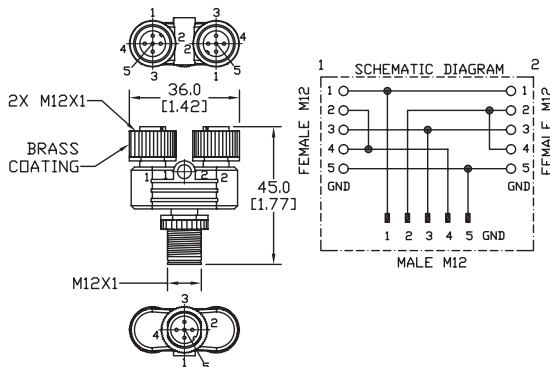
7000-41121-0000000



7000-41141-0000000



7000-41181-0000000



7000-41201-0000000

