





Level Sensor Accessories					
Part No.	Item Photo	Description	Quantity	Weight (lb)	Price
LM45-1001-12		Flowline Switch-Pak level sensor extension installation fitting, polypropylene (PP) construction, 12 inch insertion length, 2 inch NPT male process connection, 3/4 inch NPT female sensor threads, 3/4 inch NPT male electrical junction box threads	1	1.1	
LM45-7001-0000		Flowline Switch-Pak level sensor extension installation fitting kit, polyvinyl chloride (PVC) construction, includes (1) fitting with 2 inch NPT male process connection, 3/4 inch NPT male electrical junction box threads and 3/4 inch PVC pipe socket; (1) fitting with 3/4 inch NPT female sensor threads and 3/4 inch female PVC pipe socket. Purchase 3/4 inch schedule 40 PVC pipe separately, cut to desired length and solvent weld to fittings in this kit.	1	0.7	
LC06-1001		Flowline Switch-Pro compact electrical junction box, polypropylene (PP) construction, screw cover with O-ring gasket, NEMA 4X rated, 3/4 inch NPT female mounting threads with 300 degree swivel base, 1/2 inch NPT female conduit entrance, removable 6-pole terminal strip	1	0.7	
LM90-1001		Cable gland, 1/2 inch NPT male thread, Buna N sealing gland accommodates a cable diameter range of 0.180 to 0.400 inches (4.6 to 10.2 mm), nylon housing, IP68 protection level	1	0.4	

## Accessory Field Assembly Example



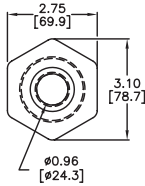
Order the following parts for field assembly: (1)  
 LC06-1001 - Junction box  
 (1) LM90-1001 - Cable gland  
 (1) LU10 Series ultrasonic level switch

# Level Switch Accessory Drawings

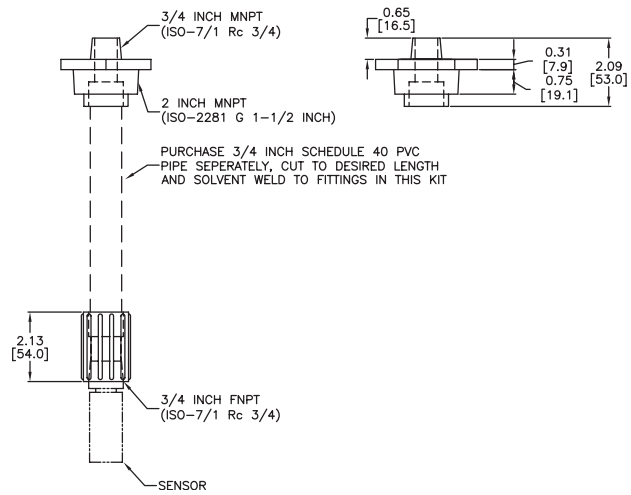
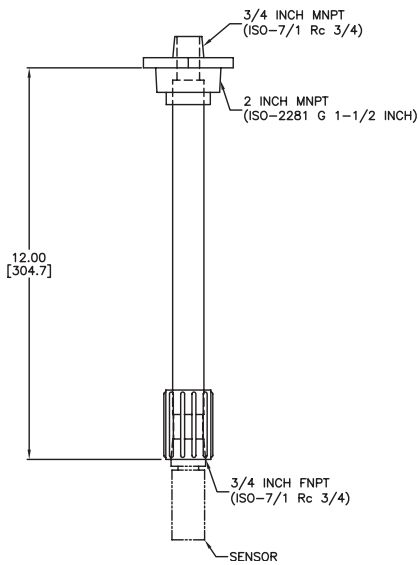
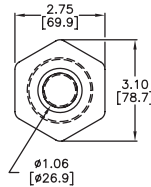
## Dimensions

inches [mm]

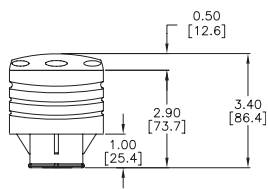
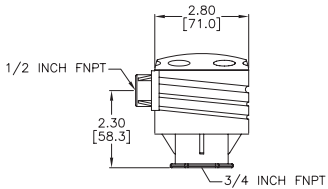
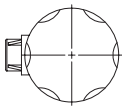
### LM45-1001-12



### LM45-7001-0000



### LC06-1001



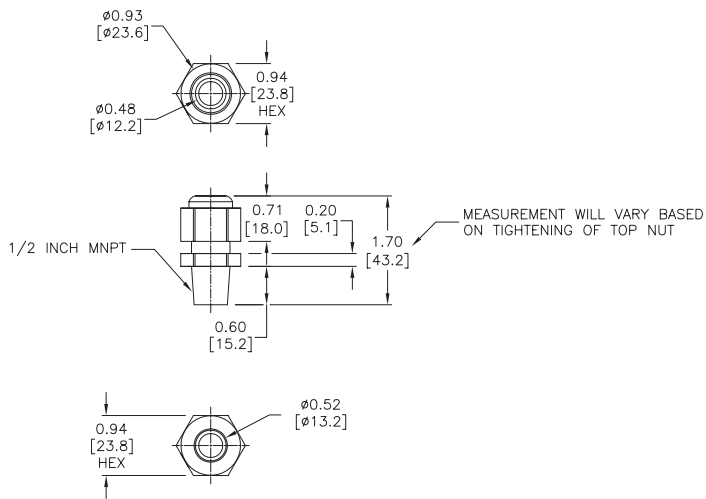
See our website [www.flowline.com](#) for complete Engineering drawings.

# Level Switch Accessory Drawings

## Dimensions

inches [mm]

### LM90-1001



See our website [\\_\\_\\_\\_\\_](#) for complete  
Engineering drawings.