




Level Sensor Accessories					
Part No.	Item Photo	Description	Quantity	Weight (lb)	Price
<b>LM45-1001-12</b>		Flowline Switch-Pak level sensor extension installation fitting, polypropylene (PP) construction, 12 inch insertion length, 2 inch NPT male process connection, 3/4 inch NPT female sensor threads, 3/4 inch NPT male electrical junction box threads	1	1.1	
<b>LM45-7001-0000</b>		Flowline Switch-Pak level sensor extension installation fitting kit, polyvinyl chloride (PVC) construction, includes (1) fitting with 2 inch NPT male process connection, 3/4 inch NPT male electrical junction box threads and 3/4 inch PVC pipe socket; (1) fitting with 3/4 inch NPT female sensor threads and 3/4 inch female PVC pipe socket. Purchase 3/4 inch schedule 40 PVC pipe separately, cut to desired length and solvent weld to fittings in this kit.	1	0.7	
<b>LC06-1001</b>		Flowline Switch-Pro compact electrical junction box, polypropylene (PP) construction, screw cover with O-ring gasket, NEMA 4X rated, 3/4 inch NPT female mounting threads with 300 degree swivel base, 1/2 inch NPT female conduit entrance, removable 6-pole terminal strip	1	0.7	
<b>LC09-1004</b>		Flowline Strobe Alert flashing alarm beacon, 1 per second, polycarbonate (PC) NEMA 4X housing, amber Xenon tube strobe, powered by 12-36 VDC, 5-inch 22AWG lead wires	1	0.7	
<b>LM90-1001</b>		Cable gland, 1/2 inch NPT male thread, Buna N sealing gland accommodates a cable diameter range of 0.180 to 0.400 inches (4.6 to 10.2 mm), nylon housing, IP68 protection level	1	0.4	

## Accessory Field Assembly Examples



Order the following parts for field assembly:  
 (1) LC06-1001 - Junction box  
 (1) LM90-1001 - Cable gland  
 (1) LC09-1004 - Strobe alert flashing alarm  
 (1) LM45-1001-12 Extension installation fitting kit  
 (1) LV10 Series buoyancy level switch



Order the following parts for field assembly:  
 (1) LC06-1001 - Junction box  
 (1) LM90-1001 - Cable gland  
 (1) LV10 Series ultrasonic level switch

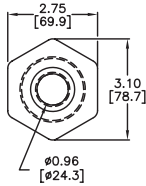


Order the following parts for field assembly:  
 (1) LC06-1001 - Junction box  
 (1) LM90-1001 - Cable gland  
 (1) LC09-1004 - Strobe alert flashing alarm beacon

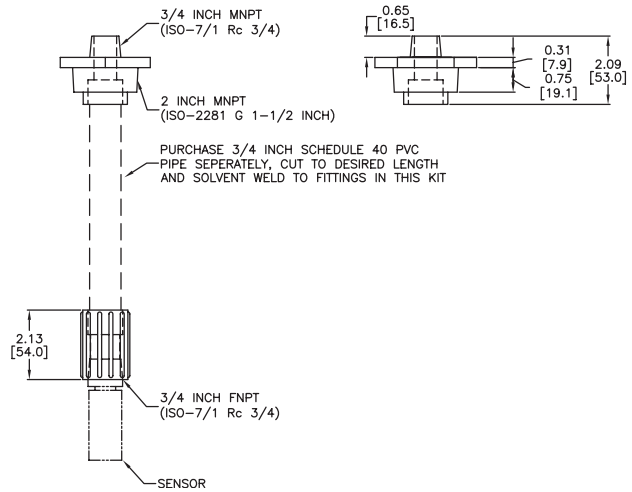
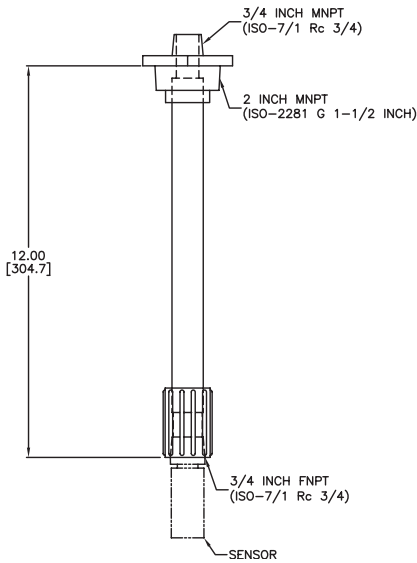
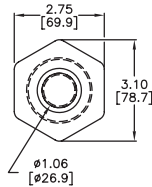
# Level Switch Accessory Drawings

## Dimensions inches [mm]

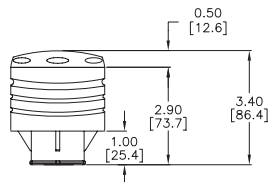
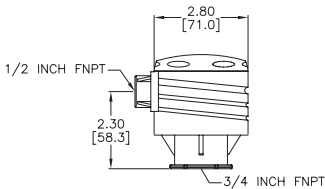
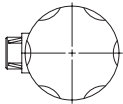
**LM45-1001-12**



**LM45-7001-0000**



**LC06-1001**

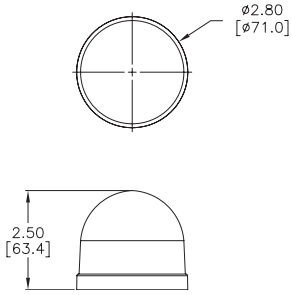


See our website [www.tuls.com](#) for complete Engineering drawings.

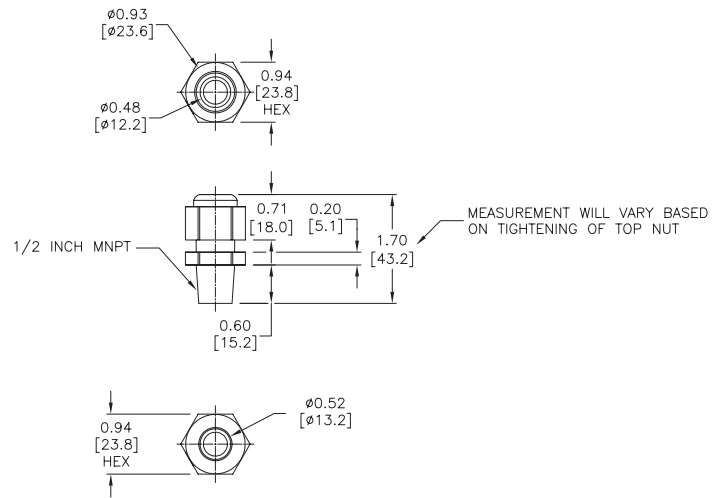
# Level Switch Accessory Drawings

## Dimensions inches [mm]

**LC09-1004**



**LM90-1001**



See our website \_\_\_\_\_ for complete Engineering drawings.