

pro^osense® FTS Series Liquid / Air Thermal Flow Sensor Accessories

FTS Series Liquid / Air Flow Sensor Accessories



CF08-25N

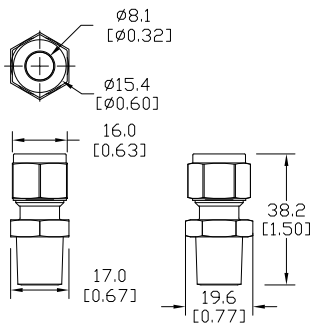


CF08-50N

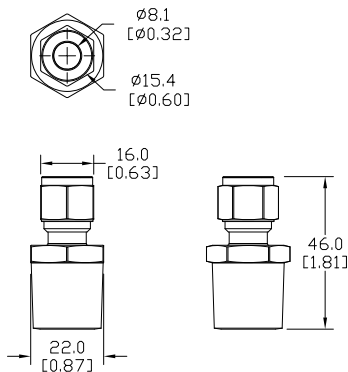
Part No.	Description	Pcs/Pkg	Weight (lbs)	Price
CF08-25N	ProSense compression fitting, stainless steel, 1/4in male NPT process connection. For use with 8mm outside diameter sensor probes.	1	0.1	
CF08-50N	ProSense compression fitting, stainless steel, 1/2in male NPT process connection. For use with 8mm outside diameter sensor probes.	1	0.2	

Dimensions

mm [inches]



CF08-25N



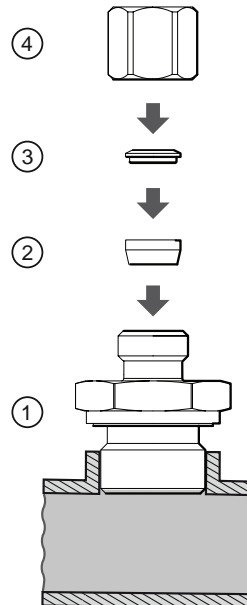
CF08-50N

See our website [www.prosense.com](#) for complete Engineering drawings.

Fitting Illustration

The CF compression fittings consist of four parts:

- 1. Screw fitting
- 2. First clamping ring
- 3. Second clamping ring
- 4. Coupling nut



Note: Once the FTS series unit is inserted to the correct depth and the coupling nut is tightened down, the first and second clamping rings will be joined together, compressed onto the FTS probe and cannot be removed without damaging the unit probe. The coupling nut however can be loosened after compressing allowing for the FTS probe, clamping rings and coupling nut to be removed for FTS probe cleaning.