

# Command 30mm Emergency Stop Pushbuttons



**AR30Q2R-01RZC**



**AR30Q2R-11RZC**



**AR30V0L-01E3RZC**



**AR30V0L-01L3RZC**



**AR30V0R-01RZC**

Command 30mm Emergency Stop Pushbuttons			
Part Number	Price	Drawing Link	Description
<a href="#"><u>AR30Q2R-01RZC</u></a>		<a href="#"><u>PDF</u></a>	Non-illuminated, push-pull, plastic, red, N.C., 35mm head
<a href="#"><u>AR30Q2R-11RZC</u></a>		<a href="#"><u>PDF</u></a>	Non-illuminated, push-pull, plastic, red, N.O. + N.C., 35mm head
<a href="#"><u>AR30V0L-01E3RZC</u></a>		<a href="#"><u>PDF</u></a>	LED illuminated, twist-to-release, plastic, red, N.C., 40mm head, 24V AC/DC
<a href="#"><u>AR30V0L-01L3RZC</u></a>		<a href="#"><u>PDF</u></a>	LED illuminated, twist-to-release, plastic, red, N.C., 40mm head, 115-127 VAC
<a href="#"><u>AR30V0R-01RZC</u></a>		<a href="#"><u>PDF</u></a>	Non-illuminated, twist-to-release, plastic, red, N.C., 40mm head

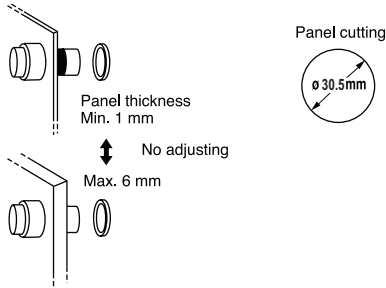
# Fuji Electric 30mm Pilot Devices Overview

## Pushbuttons, Selectors, Pilot Lights, Joysticks, Buzzers

Fuji Electric AR30 pilot devices can be mounted on panels up to 6mm thick by securing the operator with a locking nut from behind the panel without needing any adjustment.

### Easy mounting

Fuji AR30 pilot devices can be mounted on panels between 1 and 6mm thick and are mountable in panel cutouts of 30.5 mm.

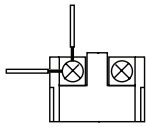


### Wiring

These pilot devices can be wired in both vertical and lateral directions making wiring in narrow spaces easier. Contact block color coding makes wiring even easier.

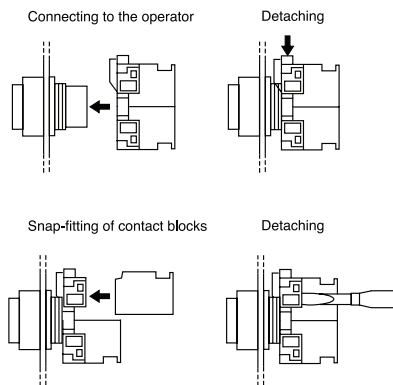
1N.O. Blue, 1N.C. Red

Lamp terminal and transformer unit: black



### Quick contact block and transformer replacement

Fuji AR30 pilot devices have a snap-on mounting that makes replacing or adding a contact block and transformer unit easier.



### Pushbuttons



AR30F0R-01RZC

### Illuminated Pushbuttons



AR30E0L-10L3GZC

### Pilot Lights



DR30D0L-L9SZC

### E-Stop Pushbuttons



AR30Q2R-01RZC

### Selector Switches



AR30PR-210BZC

### Buzzers



DR30B5-EBZC

### Short depth

Fuji AR30 pilot devices are designed to occupy less space than traditional 30mm devices.

### Safety

AR30 pilot devices include terminal covers for added safety and security. Emergency stop pushbuttons include a trigger action mechanism that prevents the contacts from moving until the button is pushed and locked.

### Protection

AR30 pilot devices feature oil and dust-tight operator construction (IP65), except for buzzers DR30B5 (IP00).



# Fuji Electric Accessories for 30mm Command Series Pilot Devices



AHX177-00



AHX177-0B

Legend Plates for Command Series 30mm Devices					
Part Number	Price	Drawing Link	Legend	Material	Color
<a href="#">AHX177-00</a>		<a href="#">PDF</a>	blank	brass	Silver field, silver background
<a href="#">AHX177-0B</a>		<a href="#">PDF</a>	OFF	brass	Silver field, silver background, black text
<a href="#">AHX177-0A</a>		<a href="#">PDF</a>	ON	brass	
<a href="#">AHX177-0C</a>		<a href="#">PDF</a>	START	brass	
<a href="#">AHX177-0D</a>		<a href="#">PDF</a>	STOP	brass	
<a href="#">AHX177-2A</a>		<a href="#">PDF</a>	OFF-ON	brass	
<a href="#">AHX720-5A</a>		<a href="#">PDF</a>	EMERGENCY STOP	aluminum	Yellow field, yellow background, black text



AHX720-5A

Tools and Lock Nut for Use with Command Series 30mm Pilot Devices			
Part Number	Qty	Price	Description
<a href="#">AR9A006</a>	1		Mounting wrench, for use with AR22, AR30, DR22, and DR30 series pushbuttons, switches, indicators, and buzzers.
<a href="#">AR9R055</a>	5		30mm guard ring replacement, for use with AR30G2L series pushbuttons.
<a href="#">AHX082</a>	5		30mm key washer, for use with AR30 and DR30 series pushbuttons, indicators, and buzzers.
<a href="#">AHX088</a>	5		30mm lock nut replacement for AR30F0R, DR30D0L, E0L, E0R, and Q7L series.
<a href="#">AHX093</a>	5		30mm lock nut replacement for AR30M0R, A_N, JR, PL, PR, Q2R, and WR series.
<a href="#">AHX282</a>	5		30mm sealing/spacing washer replacement, for use with AR30 and DR30 series pushbuttons, switches, indicators, and buzzers.



AR9R055



AHX082



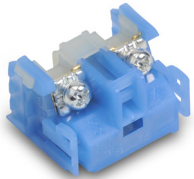
AHX088



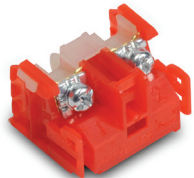
AHX282

# Accessories for 30mm Command Series Pilot Devices

## Contact Blocks



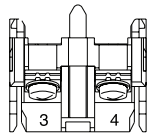
**AR9B290**



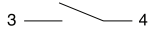
**AR9B291**

Contact Blocks for Command Series 30mm Pushbuttons					
Part Number	Qty	Price	Drawing Link	Color	Contacts
<a href="#">AR9B290</a>	1		<a href="#">PDF</a>	Blue	N.O.
<a href="#">AR9B291</a>	1		<a href="#">PDF</a>	Red	N.C.

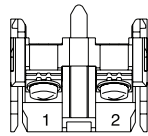
*Terminal Layout*



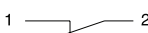
Terminal No.3, 4



**AR9B290**



Terminal No.1, 2

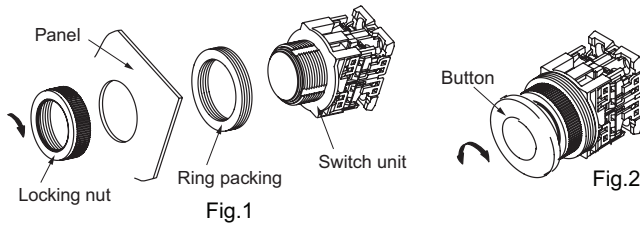


**AR9B291**

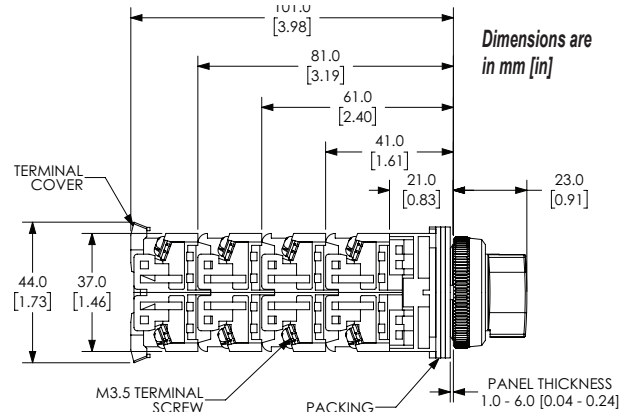
# Fuji Electric Command Series 30mm Pilot Devices Specifications

## Assembly information

These pushbuttons are supplied with the appropriate contact blocks, unless otherwise indicated. Use these drawings as a guide to make sure there is adequate clearance behind the panel. Insert the switch unit in the panel hole at the back of the panel and secure it with a locking nut at the panel front.



Example mounting diagram for AR30M0R

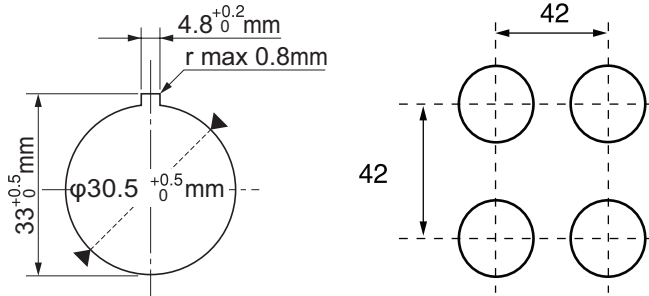


NOTE: Contact blocks can be arranged up to four deep by two wide.

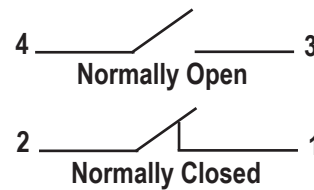
## Panel holes

For safe operation, use these mounting hole drawings to ensure that there is adequate space between switches.

Note: Location hole 4.8mm x 33mm is for use with a key washer or legend plate. If key-washer or legend plate are not used, this location hole is not needed. ADC does not currently carry an appropriate 4.8mm punch if the hole is needed.



## Typical Wiring



Mechanical Durability		
		Operations
<b>Pushbutton switch</b> <b>Illuminated pushbutton switch</b> <b>E-stop pushbutton switch</b> <b>E-stop illuminated pushbutton</b>	Momentary action	5 million
	Alternate action	1 million
	Push-lock, turn-reset	100,000
	Push-lock, pull-reset	30,000
<b>Selector switch</b>	Maintained 1, 2, 3, 4-contact	1 million
	Maintained 5, 6-contact	500,000
	Spring return, spring/manual return	200,000
<b>Illuminated selector switch</b>	Maintained	
	Without transformer 1, 2, 3-contact	1 million
	4-contact	500,000
	With transformer 1, 2-contact	1 million
	3-contact	500,000
Spring return, spring/manual return	200,000	

Note: Key insertion/removal durability for selector switch key types  
Key type 10,000

# Command Series 30mm Pilot Devices Specifications

Specifications (indoor use)			
	<i>Pushbuttons Emergency stop pushbuttons Selector switches</i>	<i>Joysticks</i>	<i>Pilot Lights</i>
<b>Rated thermal current (contact block)</b>	A600 P600	-	-
<b>Mechanical durability</b>	See mechanical durability table	250,000 operations	-
<b>Electrical durability</b>	500,000 operations at 220VAC 6A 1,000,000 operations at 220VAC 3A	100,000 operations at 220VAC 1A (res. load)	-
<b>Operating frequency</b>	1200 operations/hour (on-load factor: 40%)		-
<b>Operating force (Avg)</b>	9N – Pushbuttons 30-45 N – Emergency stop pushbuttons 0.15 - 0.1 N·m – Selector switches	Less than 100N	
<b>Positive opening operation</b>	All functions incorporating an N.C. contact are positive-opening operation.		
<b>Dielectric strength</b>	2,000VAC, 1 minute*** 2,500VAC, 1 minute****	2,000VAC, 1 minute	
<b>Insulation resistance</b>	100MΩ or more (500VDC megger)		
<b>Rated impulse dielectric strength</b>	6kV	-	6kV
<b>Conditional short-circuit current</b>	1000A		-
<b>Short-circuit protective device</b>	Fuse 15A	Fuse 1A	-
<b>Pollution degree</b>	3		
<b>Vibration</b>	Resonance: 10 to 55 Hz, double amplitude 0.1mm*, Constant: 16.7 Hz, double amplitude 3mm		
<b>Shock</b>	Malfunction durability: 100m/s <sup>2</sup> ** Mechanical durability: 500m/s <sup>2</sup>		Mechanical durability: 500m/s <sup>2</sup>
<b>Ambient temperature (no condensation or no icing)</b>	-20 to 70°C (-4 to 158°F)	-5 to 60°C (23 to 140°F)	-20 to 50°C (-4 to 122°F)
<b>Temperature ratings</b>	Storage: -40 to 80°C (-40 to 176°F) Operating: -20 to 70°C (-4 to 158°F)	Storage: -40 to 80°C (-40 to 176°F)	Storage: -40 to 80°C (-40 to 176°F)
<b>Humidity</b>	45 to 85% RH (within -5°C to 40°C)		
<b>Degree of protection</b>	IEC IP65		
<b>Initial contact resistance</b>	m 50mΩ	-	-
<b>Terminal markings</b>	IEC 60445	-	-
<b>Connections</b>	AWG 18 to AWG 14; Stripping length: 5mm to 11mm Tightening torque: 0.8 to 1.0 N·m, 7.1 in·lb to 8.8 in·lb		
<b>Contacts operation</b>	Self-cleaning types. Slow action. Positive opening.		
<b>Operation frequency</b>	1,200 cycle/hour (Application ratio 40%)	-	-
<b>Utilization category/contact ratings</b>	AC-15: 24VAC at 6A, 110VAC at 6A DC-13: 24VDC at 4A, 110VDC at 1.3 A	AC-1: 110VAC at 0.3 A DC-13: 24VDC at 0.7 A, 110VDC at 0.15 A	
<b>Rated insulation voltage</b>	250V AC/DC*** 600V AC/DC	250V AC/DC	250V AC/DC*** 600VAC w/transformer
<b>Materials</b>	Enclosure: Polyamide, Contacts: Silver, nickel		
<b>Standards</b>	UL 508, CSA C22.2, No.14, TUV - EN60947-5-1		
<b>Approvals</b>	UL file E44592, CSA file LR20479		

\* Emergency stop type: 10 to 500 Hz, double amplitude 0.7mm(acceleration 50m/s<sup>2</sup>), according to test condition of EN60947-5-5 (1998)

\*\* Emergency stop type: 150 m/s<sup>2</sup>

\*\*\* Illuminated type without transformer

\*\*\*\* Illuminated type with transformer

To obtain the most current agency approval information, see the Agency Approval Checklist section on the specific part number's web page.