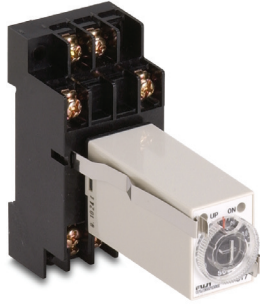


Fuji Miniature DIN Super Timers



Overview

The ST7P is a compact and highly accurate timer. It is an on-delay operation type with a single timing range. These timers are designed to optimize mounting space in small areas. Mounting is by DIN rail or by securing directly to a panel with a fastener.

Features

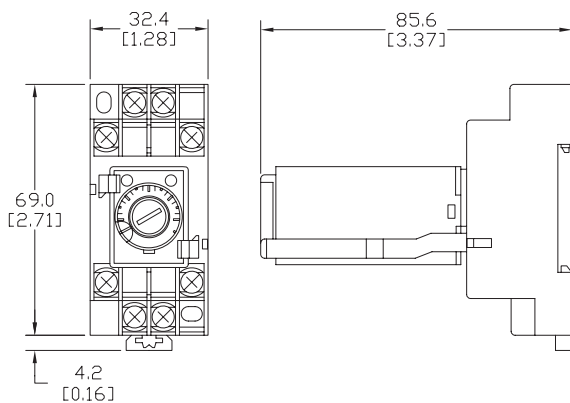
- Highly accurate, with a repeat accuracy within $\pm 1\%$ at maximum setting time
- ST7P models offer a number of timing ranges. Please see Selection Guide below
- Large dial makes time setting easy
- LED indicators make it easy to monitor timer operation
- ST7P series meets UL and CSA standards

Product Selection Guide				
Part Number	Price	Description	Voltage	Time Range
ST7P-2A15S-ADC		Mini-DIN on-delay timer with timing range of 0.4s to 5s. Input power is 100-120 VAC. DPDT relay output. UL, CSA, TÜV approved	100-120VAC	0.4 seconds to 5 seconds
ST7P-2A13T-ADC		Mini-DIN on-delay timer with timing range of 2s to 30s. Input power is 100-120 VAC. DPDT relay output. UL, CSA, TÜV approved		2 seconds to 30 seconds
ST7P-2A16T-ADC		Mini-DIN on-delay timer with timing range of 4s to 60s. Input power is 100-120 VAC. DPDT relay output. UL, CSA, TÜV approved		4 seconds to 60 seconds
ST7P-2A11N-ADC		Mini-DIN on-delay timer with timing range of 1 min. to 10 min. Input power is 100-120 VAC. DPDT relay output. UL, CSA, TÜV approved		1 minute to 10 minutes
ST7P-2A16N-ADC		Mini-DIN on-delay timer with timing range of 4 min. to 60 min. Input power is 100-120 VAC. DPDT relay output. UL, CSA, TÜV approved		4 minutes to 60 minutes
ST7P-2DE5S-ADC		Mini-DIN on-delay timer with timing range of 0.4s to 5s. Input power is 24 VDC. DPDT relay output. UL, CSA, TÜV approved	24VDC	0.4 seconds to 5 seconds
ST7P-2DE3T-ADC		Mini-DIN on-delay timer with timing range of 2s to 30s. Input power is 24 VDC. DPDT relay output. UL, CSA, TÜV approved		2 seconds to 30 seconds
ST7P-2DE6T-ADC		Mini-DIN on-delay timer with timing range of 4s to 60s. Input power is 24 VDC. DPDT relay output. UL, CSA, TÜV approved		4 seconds to 60 seconds
ST7P-2DE1N-ADC		Mini-DIN on-delay timer with timing range of 1 min. to 10 min. Input power is 24 VDC. DPDT relay output. UL, CSA, TÜV approved		1 minute to 10 minutes
ST7P-2DE6N-ADC		Mini-DIN on-delay timer with timing range of 4 min. to 60 min. Input power is 24 VDC. DPDT relay output. UL, CSA, TÜV approved		4 minutes to 60 minutes
TP88X2		DIN rail/surface mount socket for ST7P series timers. UL, CSA, TÜV approved	N/A	N/A

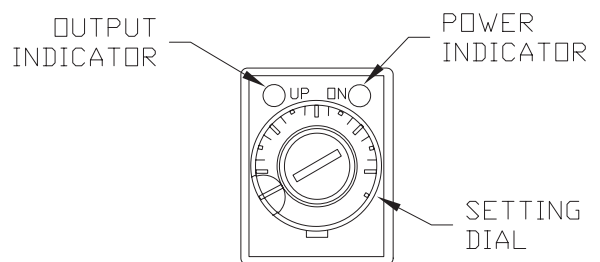
Dimensions

mm [inches]

Timer and Socket Assembly



Control



Fuji Miniature DIN Super Timer Specifications

Specifications													
Approvals	UL file no.: Body - E44592, Socket - E90265; TÜV license no: R9551799												
Repeat Accuracy	±0.1% at maximum setting time												
Reset Time	0.1 second or less												
Maximum Operating Cycle	1800 cycles/hour												
Operating Voltage Range	<table border="0" style="width: 100%;"> <tr> <td style="width: 50%; text-align: center;">85-132 VAC 50/60 Hz</td> <td style="width: 50%; text-align: center;">20.4-26.4 VDC</td> </tr> <tr> <td style="text-align: center;">ST7P-2A15S-ADC</td> <td style="text-align: center;">ST7P-2DE5S-ADC</td> </tr> <tr> <td style="text-align: center;">ST7P-2A13T-ADC</td> <td style="text-align: center;">ST7P-2DE3T-ADC</td> </tr> <tr> <td style="text-align: center;">ST7P-2A16T-ADC</td> <td style="text-align: center;">ST7P-2DE6T-ADC</td> </tr> <tr> <td style="text-align: center;">ST7P-2A11N-ADC</td> <td style="text-align: center;">ST7P-2DE1N-ADC</td> </tr> <tr> <td style="text-align: center;">ST7P-2A16N-ADC</td> <td style="text-align: center;">ST7P-2DE6N-ADC</td> </tr> </table>	85-132 VAC 50/60 Hz	20.4-26.4 VDC	ST7P-2A15S-ADC	ST7P-2DE5S-ADC	ST7P-2A13T-ADC	ST7P-2DE3T-ADC	ST7P-2A16T-ADC	ST7P-2DE6T-ADC	ST7P-2A11N-ADC	ST7P-2DE1N-ADC	ST7P-2A16N-ADC	ST7P-2DE6N-ADC
85-132 VAC 50/60 Hz	20.4-26.4 VDC												
ST7P-2A15S-ADC	ST7P-2DE5S-ADC												
ST7P-2A13T-ADC	ST7P-2DE3T-ADC												
ST7P-2A16T-ADC	ST7P-2DE6T-ADC												
ST7P-2A11N-ADC	ST7P-2DE1N-ADC												
ST7P-2A16N-ADC	ST7P-2DE6N-ADC												
Operating Temperature Range	-10 to +50°C (14 to 122°F)												
Humidity	35 to 85% (no condensation)												
Contact Ratings	3A @ 240 VAC resistive load, 1 A @120 VAC inductive load; 3A @ 30 VDC resistive load, 0.5 A @ 30 VDC inductive load												
Power Consumption	Approx. 1.2 VA at 100 VAC, approx. 1.5 VA at 200 VAC, 1.1 W at 24 VDC.												
Insulation Resistance	100MΩ at 500 VDC insulation tested												
Surge Voltage*	3000 Volts												
Dielectric Strength	2000 VAC 1 min. between current carrying part and non-current carrying part 2000 VAC 1 min. between output contact and control circuit 1000 VAC 1 min. between open contacts												
Vibration	Malfunction durability: 10 to 55Hz, 0.5mm double amplitude Mechanical durability: 10 to 55Hz, 0.7mm double amplitude												
Shock	Malfunction durability: 50m/s ² Mechanical durability: 1000m/s ²												
Life Expectancy	Mechanical: 50 million operations (No load; operation cycle 1800/hr.) Electrical: 500,000 operations (3A @ 220 VAC, resistive load; operation cycle 1800/hr.)												
Weight	36.288 g (1.28 oz.)												

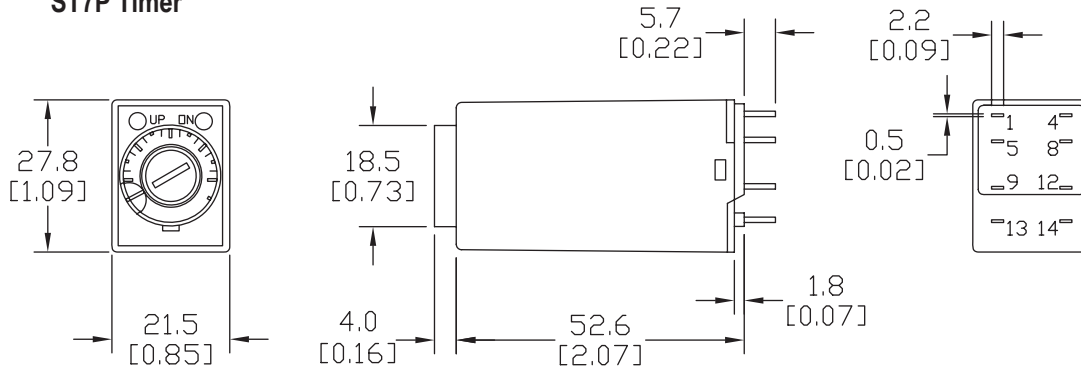
* Note: If surge voltage exceeds 3000V, use surge suppressors.

Fuji Miniature DIN Timers, Dimensions, Timing and Wiring

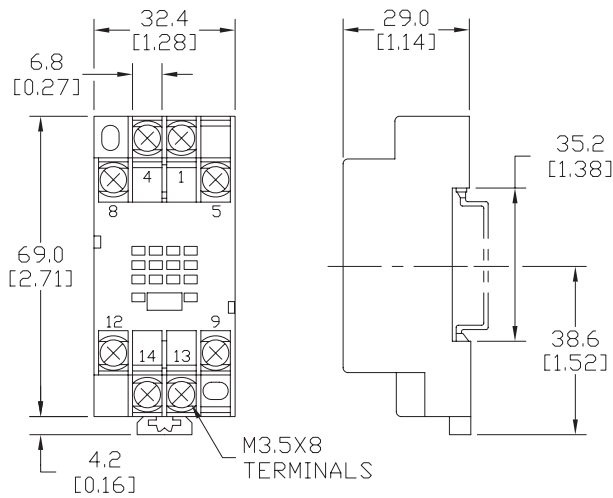
Dimensions

mm [inches]

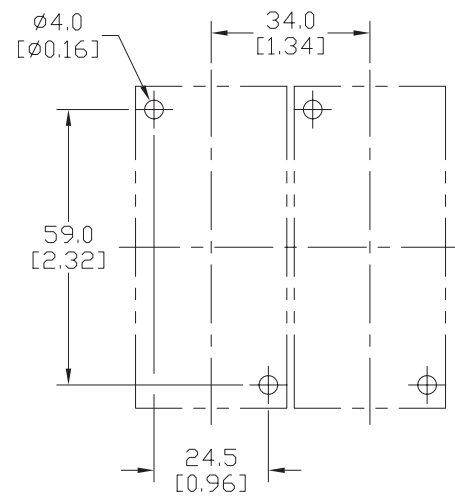
ST7P Timer



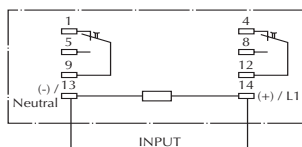
TP88X2 Socket



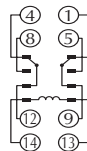
Panel Mounting



Wiring Diagram



Sockets/Screw Terminal and Rail Mounting



Timing Diagram

