

Fuji Duo Series Combination Starter

BM3RHB-xxx Manual Motor Starter Prices

Part Number	Price	Part Number	Price
BM3RHB-P16		BM3RHB-6P3	
BM3RHB-P25		BM3RHB-010	
BM3RHB-P40		BM3RHB-013	
BM3RHB-P63		BM3RHB-016	
BM3RHB-001		BM3RHB-020	
BM3RHB-1P6		BM3RHB-025	
BM3RHB-2P5		BM3RHB-032	
BM3RHB-004			



BM3VHB-xxx Manual Motor Starter Prices

Part Number	Price	Part Number	Price
BM3VHB-010		BM3VHB-032	
BM3VHB-013		BM3VHB-040	
BM3VHB-016		BM3VHB-050	
BM3VHB-020		BM3VHB-063	
BM3VHB-025			

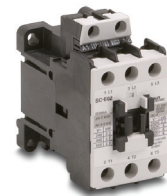


Note: When using BM3VHB-xxx MMS in a UL type E application you must also use part number BZ0TKUAB (short circuit contact block).

Note: When using BM3RHB-xxx MMS in a UL type E application, you must also use part number BZ0TKUAB (short circuit contact block) and BZ0TCRE (line side terminal cover).

Contactor Prices

Part Number	Price	Part Number	Price	Part Number	Price	Part Number	Price
SC-E02-24VAC		SC-E05-24VAC		SC-E2S-24VAC		SC-E5-24V	
SC-E02-110VAC		SC-E05-110VAC		SC-E2S-110VAC		SC-E5-100V	
SC-E02-220VAC		SC-E05-220VAC		SC-E2S-220VAC		SC-E5-200V	
SC-E02G-24VDC		SC-E05G-24VDC		SC-E2SG-24VDC		SC-E6-24V	
SC-E03-24VAC		SC-E1-24VAC		SC-E3-24VAC		SC-E6-100V	
SC-E03-110VAC		SC-E1-110VAC		SC-E3-110VAC		SC-E6-200V	
SC-E03-220VAC		SC-E1-220VAC		SC-E3-220VAC		SC-E7-24V	
SC-E03G-24VDC		SC-E1G-24VDC		SC-E3G-24VDC		SC-E7-100V	
SC-E04-24VAC		SC-E2-24VAC		SC-E4-24VAC		SC-E7-200V	
SC-E04-110VAC		SC-E2-110VAC		SC-E4-110VAC			
SC-E04-220VAC		SC-E2-220VAC		SC-E4-220VAC			
SC-E04G-24VDC		SC-E2G-24VDC		SC-E4G-24VDC			



Link Modules and Base Plates

Link Modules



BZ0LRE22A



BZ0LRE22GA



BZ0LRE32AA



BZ0LRE32GA



BZ0LVE51AA



BZ0LVE51GA



BZ0LVE65AA



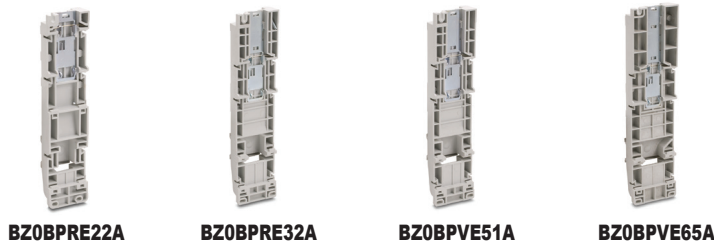
BZ0LVE65GA

Link modules

Part Number	Price	Description	Applicable MMS	Applicable Magnetic Contactor	Operating Coil (V)	Weight (g/lb)
BZ0LRE22AA		The link module connects the manual motor starter and magnetic contactor electrically and mechanically.	BM3RHB-xxx	SC-E02, E03, E04, E05-xxxVAC	AC	25/0.055
BZ0LRE22GA				SC-E02G, E03G, E04G, E05G-xxxVDC	DC	35/0.077
BZ0LRE32AA				SC-E1-xxxVAC	AC	45/0.1
BZ0LRE32GA				SC-E1G-xxxVDC	DC	60/0.13
BZ0LVE51AA			BM3VHB-xxx	SC-E1, E2, E2S-xxxVAC	AC	45/0.1
BZ0LVE51GA				SC-E1G, E2G, E2SG-xxxVDC	DC	60/0.13
BZ0LVE65AA				SC-E3-xxxVAC	AC	65/0.14
BZ0LVE65GA				SC-E3G-xxxVDC	DC	80/0.176

Fuji Duo Series Combination Starters

Base plates



Base Plates						
Part Number	Price	Description	Applicable MMS	Applicable Magnetic Contactor	Operating Coil (V)	Weight (g/lb)
BZ0BPVE22A		The base plate is a plastic plate to which the combination starter is mounted. The base plate can then be mounted to a panel with screws or to a DIN rail.	BM3RHB-xxx	SC-E02, E03, E04, E05, SC-E02G, E03G, E04G, E05G-xxx	AC/DC	100/0.22
BZ0BPVE32A				SC-E1, SC-E1G-xxx	AC/DC	160/0.35
BZ0BPVE51A			BM3VHB-xxx	SC-E1, E2, E2S, SC-E1G, E2G, E2SG-xxx	AC/DC	160/0.35
BZ0BPVE65A				SC-E3, SC-E3G-xxx	AC/DC	195/0.43

How to reverse the contactor nameplate

When the manual motor starter and magnetic contactor are configured as a combination starter, the contactor nameplate ends up facing the wrong direction because the coil terminal of the magnetic contactor faces downward. Use the following procedure to turn the nameplate upside down.

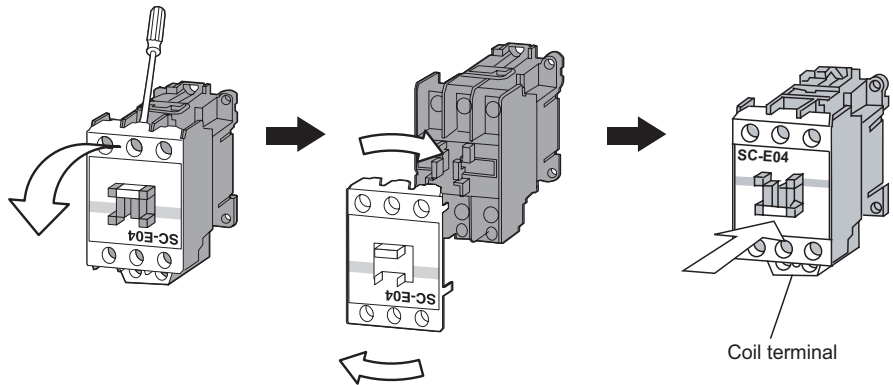


Contactor nameplate must be reversed when used in a combination starter configuration.

SC-E2S

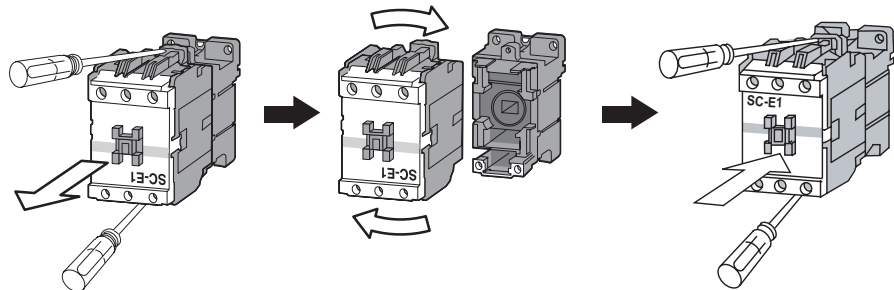
For SC-E02 to SC-E05-xxx contactors

- Insert a flat-blade screwdriver between the arc-chamber of the S phase or V phase and the terminal screw, and lift the arc-chamber to remove it.
- After removing the cover, turn the cover 180 degrees (top to bottom), then re-mount it onto the magnetic contactor.
- Align the cover with the top and bottom terminals and press it on firmly by hand.



For SC-E1 to SC-E3-xxx contactors

- Use a Phillips screwdriver to remove the two screws securing the front and back bodies.
- Remove the front body and turn it 180 degrees (top to bottom), then re-mount it with the screws.
- Make sure that no foreign matter enters the interior of the magnetic contactor during this removal/re-mounting procedure.

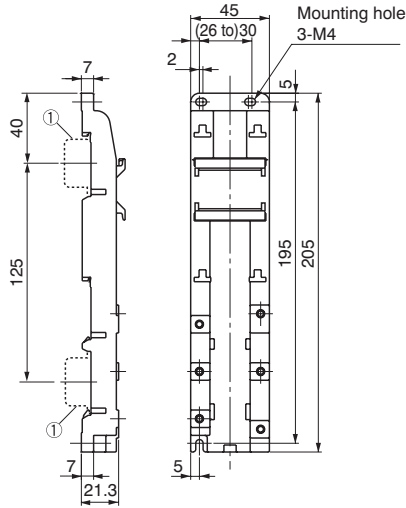


Fuji Duo Series Combination Starters

Dimensions (mm)



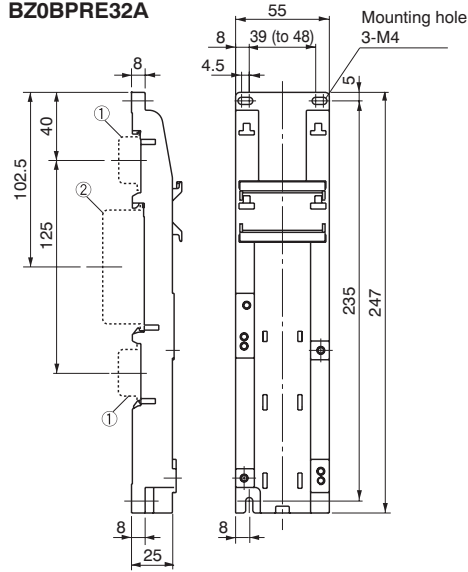
BZ0BPVE22A



①35mm wide rail (height 15mm) x 2

Base plate	MMS	Contactor
BZ0BPVE22A	BM3RHB-xxx	SC-E02, E03, E04, E05-xxx E02G, E03G, E04G, E05G-xxx

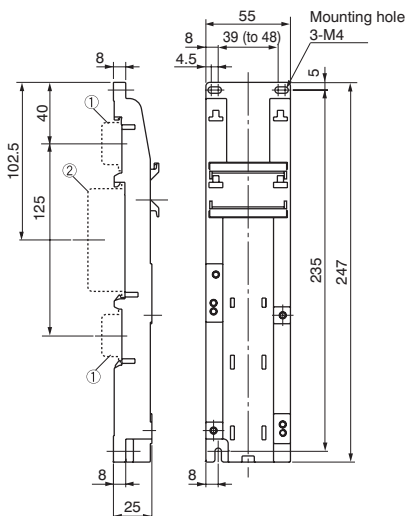
BZ0BPVE32A



①35mm wide rail (height 15mm) x 2
②75mm wide rail (height 25mm) x 1

Base plate	MMS	Contactor
BZ0BPVE32A	BM3RHB-xxx	SC-E1, E1G-xxx

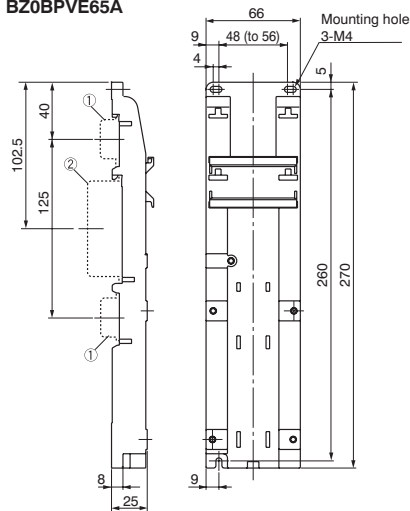
BZ0BPVE51A



①35mm wide rail (height 15mm) x 2
②75mm wide rail (height 25mm) x 1

Base plate	MMS	Contactor
BZ0BPVE51A	BM3VHB-xxx	SC-E1, E2, E2S-xxx E1G, E2G, E2SG-xxx

BZ0BPVE65A



①35mm wide rail (height 15mm) x 2
②75mm wide rail (height 25mm) x 1

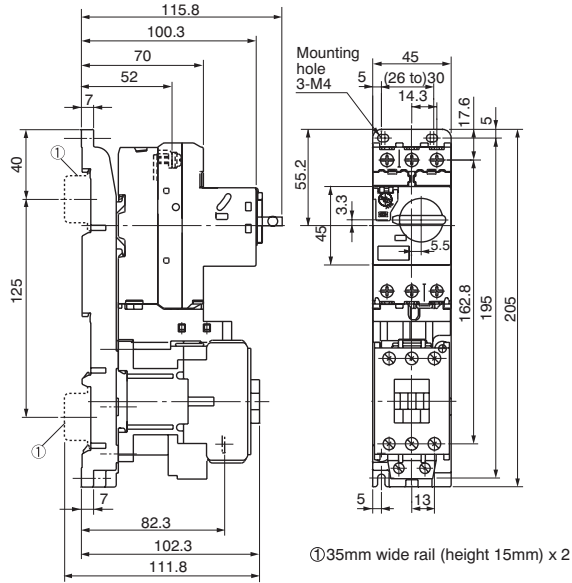
Base plate	MMS	Contactor
BZ0BPVE65A	BM3VHB-xxx	SC-E3, E3G-xxx

Fuji Duo Series Combination Starters



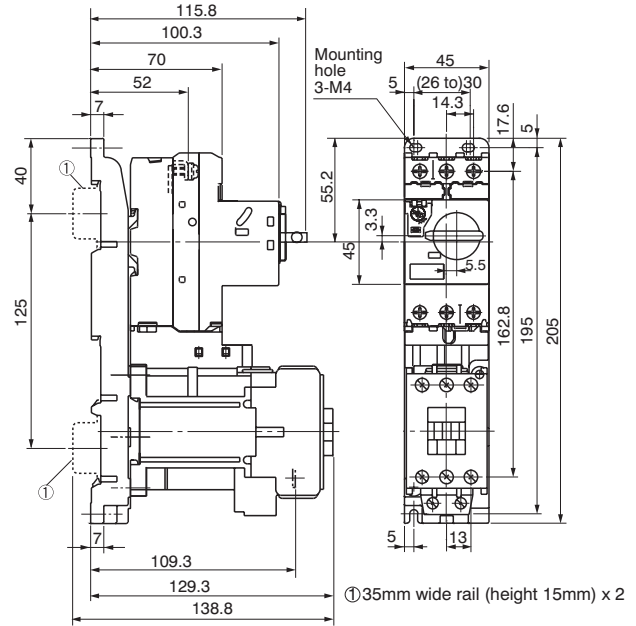
Dimensions (mm)

BM3RHB-xxx + SC-E02 to E05-xxx



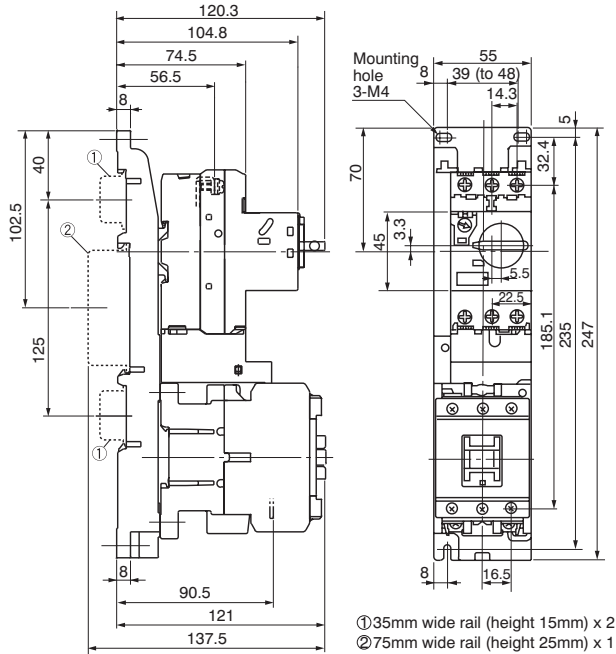
MMS	Contactors	Link module	Base plate
BM3RHB-xxx	SC-E02, E03, E04, E05-xxx	BZ0LRE22AA	BZ0BPPE22A

BM3RHB-xxx + SC-E02G to E05G-xxx



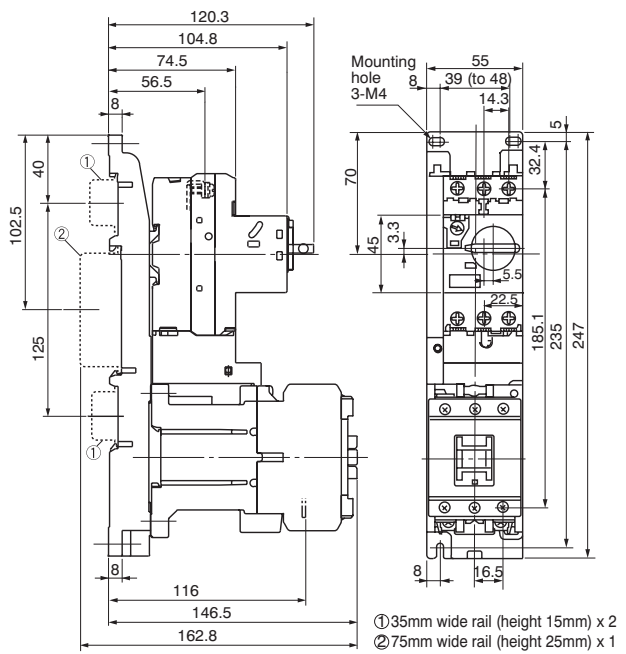
MMS	Contactors	Link module	Base plate
BM3RHB-xxx	SC-E02G, E03G, E04G, E05G-xxx	BZ0LRE22GA	BZ0BPPE22A

BM3RHB-xxx + SC-E1-xxx



MMS	Contactors	Link module	Base plate
BM3RHB-xxx	SC-E1-xxx	BZ0LRE32AA	BZ0BPPE32A

BM3RHB-xxx + SC-E1G-xxx



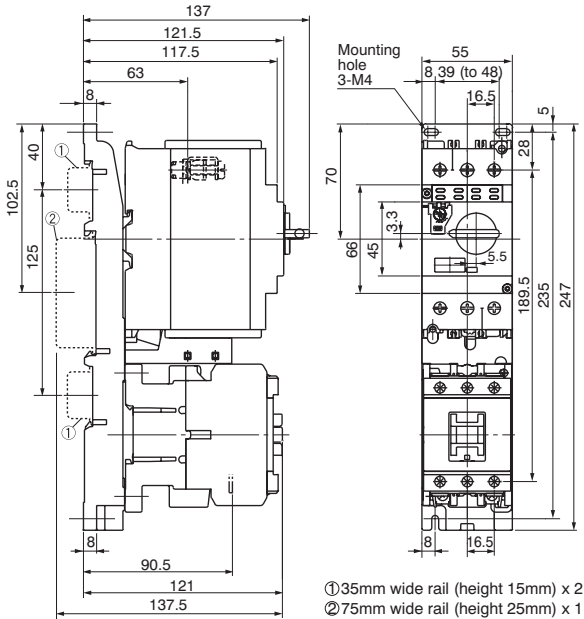
MMS	Contactors	Link module	Base plate
BM3RHB-xxx	SC-E1G-xxx	BZ0LRE32GA	BZ0BPPE32A

Fuji Duo Series Combination Starters

Dimensions (mm)

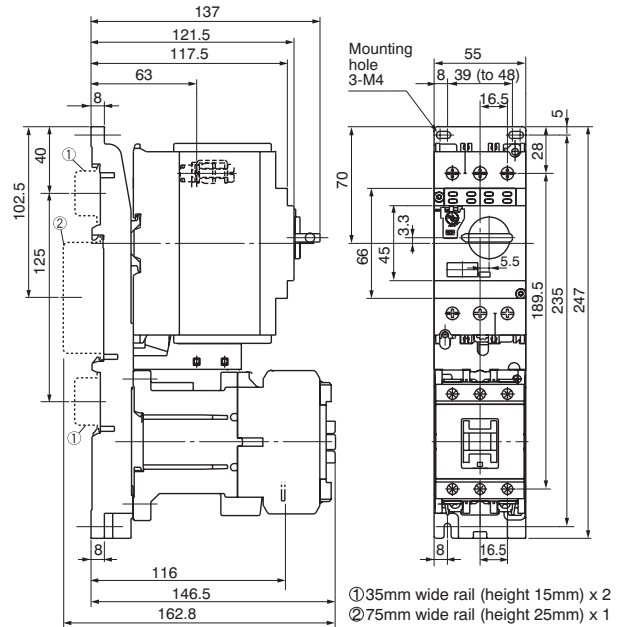


BM3VHB-xxx + SC-E1, E2, E2S-xxx



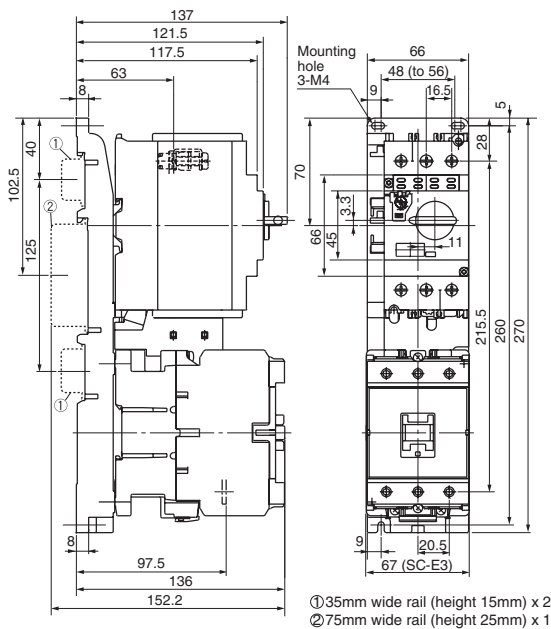
MMS	Contactors	Link module	Base plate
BM3VHB-xxx	SC-E1, E2, E2S-xxx	BZ0LVE51AA	BZ0BPVE51A

BM3VHB-xxx + SC-E1G, E2G, E2SG-xxx



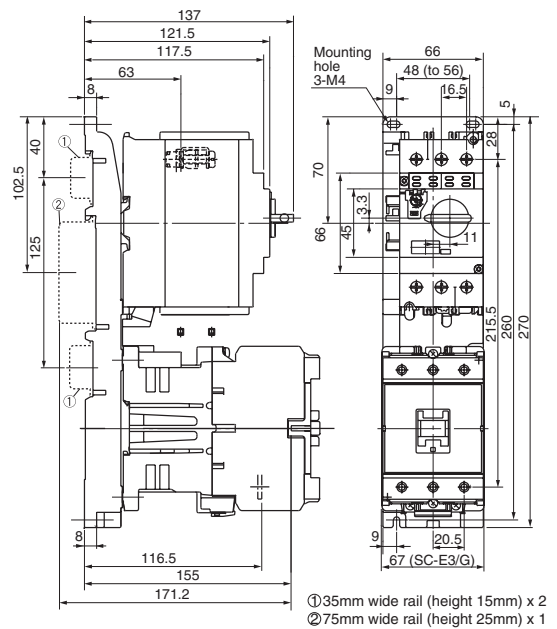
MMS	Contactors	Link module	Base plate
BM3VHB-xxx	SC-E1G, E2G, E2SG-xxx	BZ0LVE51GA	BZ0BPVE51A

BM3VHB-xxx + SC-E3-xxx



MMS	Contactors	Link module	Base plate
BM3VHB-xxx	SC-E3-xxx	BZ0LVE65AA	BZ0BPVE65A

BM3VHB-xxx + SCE3G-xxx



MMS	Contactors	Link module	Base plate
BM3VHB-xxx	SC-E3G-xxx	BZ0LVE65GA	BZ0BPVE65A