

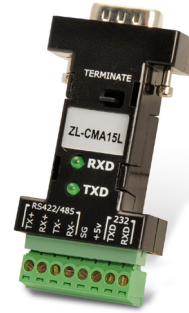
# Communications Port Adapters

Communication adaptors eliminate the hassle associated with connecting crimp or solder connectors to PLC communication ports. The communication adapters offer fast and convenient screw terminal connections for the DL06, D2-250-1 and D2-260 CPUs.

The ZL-CMA15L adapter offers transmit and receive LEDs, a jumper selectable network termination resistor, and circuit surge protection.



ZL-CMA15



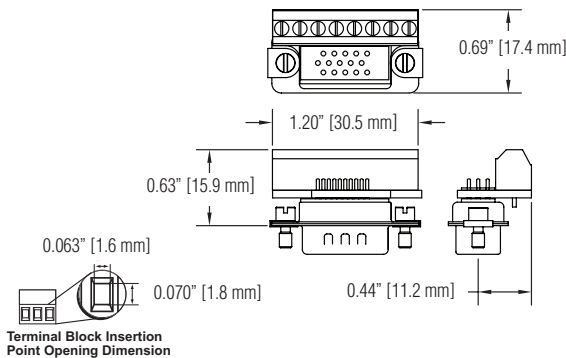
ZL-CMA15L

Specifications								
Communication Port Adapters	Part #	Pcs/Pkg	Price/Pkg	Weight (lbs)	Part #	Pcs/Pkg	Price/Pkg	Weight (lbs)
	ZL-CMA15	1		0.04	ZL-CMA15L	1		0.06
<b>Description</b>	DL06, D2-250-1 and D2-260 PLC Port 2 adapter: HD 15-pin D-sub to terminal block							
<b>Communications Interface</b>	RS232, RS422, RS485							
<b>Indication Transmit Data</b>				Green LED				
<b>Indication Receive Data</b>				Green LED				
<b>RS232 Surge Protection</b>	N/A			2 Circuits clamped by Zener transient voltage suppressors				
<b>RS422/485 Surge Protection</b>	N/A			4 Circuits clamped by low capacitance Zener diodes				
<b>RS422/485 Network Termination Resistor</b>	N/A			Jumper Selectable 120Ω				
<b>Voltage Rating <sup>1</sup></b>	30VDC							
<b>Maximum Current per Circuit</b>	1A							
<b>Supported Signal Types</b>	RS422/485 TXD+ RS422/485 RXD+ RS232 TXD, +5VDC PWR			RS422/485 TXD- RS422/485 RXD- RS232 RXD Ground				
<b>Terminal Block Contacts</b>	Copper alloy, tin-lead plating							
<b>Wire Range (Rated Cross Section) <sup>2</sup></b>	16–30 AWG Solid or Stranded Conductor (1.5 mm <sup>2</sup> )				16–28 AWG Solid or Stranded Conductor (1.5 mm <sup>2</sup> )			
<b>Wire Strip Length</b>	0.24–0.27 in (6–7 mm)							
<b>Screw Torque</b>	1.7 in-lbs (0.2 N-m)							
<b>Operating Temperature Range</b>	32 to 140°F (0 to 60°C)							
<b>Approvals</b>	File # E200031 Approved for use in Class 1 Division 2, Groups A, B, C, D Hazardous Locations							

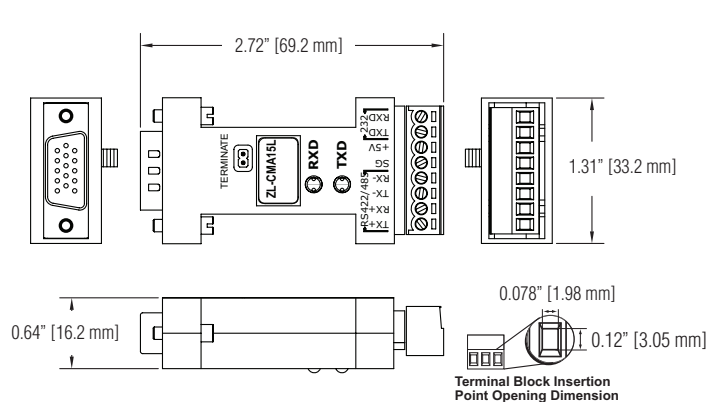
<sup>1</sup> Use Class 2 power supply.

<sup>2</sup> Use conductors rated for 60°/75°C.

## ZL-CMA15



## ZL-CMA15L



**NOTE: SEE WIRING DETAILS AND DIMENSIONAL DRAWINGS ON OUR WEB SITE AT:**  
<http://static/manuals/ziplinks/ziplinks.html>