

# Communication Distribution Modules

The RJ12 multi-port distribution modules allow for fast and convenient RS485 multi-drop connections.

Uses include serial network communication multi-drop to GS series drives, DuraPulse drives and SureServo drives.

Modules mount on 35mm DIN rail (part #DN-R35S1) or 15mm DIN rail (part #DN-R15S1).



ZL-CDM-RJ12X4



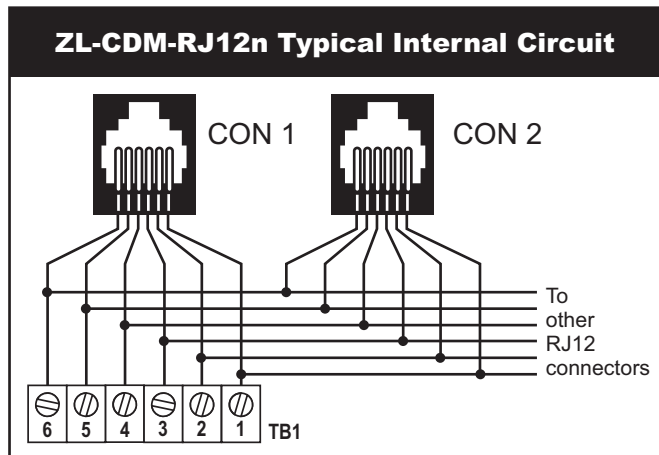
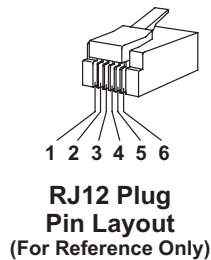
ZL-CDM-RJ12X10

Specifications								
Communication Distribution Modules	Part #	Pcs/Pkg	Price/Pkg	Weight (lbs)	Part #	Pcs/Pkg	Price/Pkg	Weight (lbs)
	ZL-CDM-RJ12X4	1		0.14	ZL-CDM-RJ12X10	1		0.23
<b>Description <sup>2</sup></b>	4-port RJ12 Communication Distribution Module				10-port RJ12 Communication Distribution Module			
<b>Voltage Rating <sup>3</sup></b>	30VDC							
<b>Maximum Current per Circuit</b>	1A							
<b>Number of Circuits per RJ12</b>	6							
<b>Terminal Block Contacts</b>	Copper alloy, tin-lead plated							
<b>Wire Range (Rated Cross Section) <sup>1</sup></b>	12–24 AWG Solid or Stranded Copper Conductor (2.5 mm <sup>2</sup> )							
<b>Wire Strip Length</b>	0.24–0.27 in (6–7 mm)							
<b>Screw Torque</b>	4.4 in-lbs (0.5 N-m)							
<b>Connecting Cables (Sold Separately)</b>	ZL-RJ12-CBL-2, ZL-RJ12-CBL-2P, GS-RJ12-CBL-2, ZL-SVC-232RJ12-CBL-2 Click on link: <a href="#">Connection Cable Specifications Tables</a> .							
<b>Surrounding Temperature Range</b>	32 to 140°F (0 to 60°C)							
<b>Cable/Wire Clearances</b>	0.5 in (12.7 mm) Required							
<b>Mounting Restrictions</b>	None							
<b>Approvals</b>	File # E200031 UL, cUL, Class 1, Division 2, Groups A,B,C,D Hazardous Locations, CE, EN 61131-2:2007							

<sup>1</sup> Use conductors rated for 60°/75°C.

<sup>2</sup> Connecting cables are for internal wiring only.

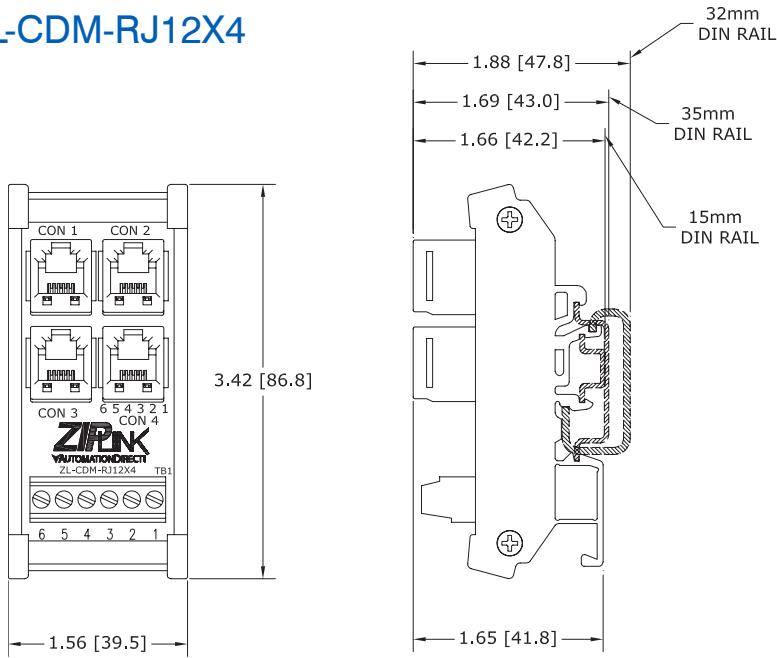
<sup>3</sup> Use Class 2 power supply.



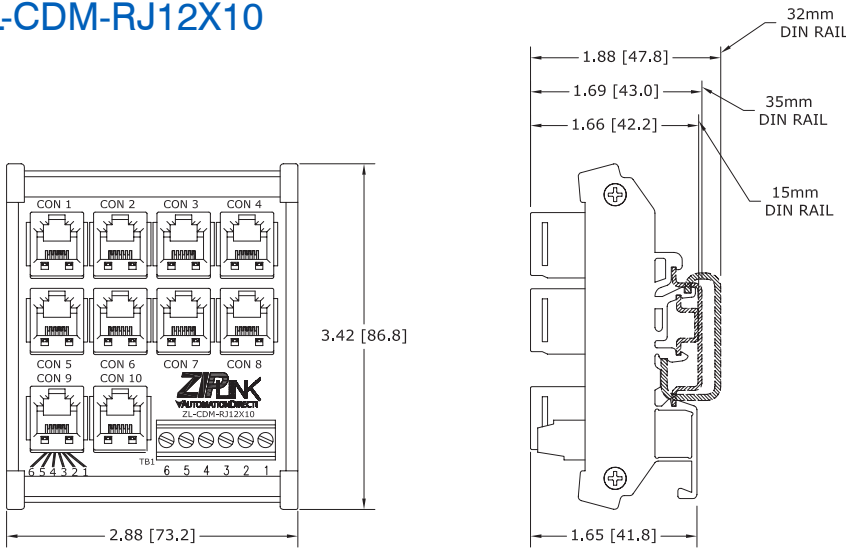
**NOTE: SEE WIRING DETAILS AND DIMENSIONAL DRAWINGS ON OUR WEB SITE AT:**  
<http://static/manuals/ziplinks/ziplinks.html>.

# Module Dimensions

## ZL-CDM-RJ12X4



## ZL-CDM-RJ12X10



Note: Dimensions shown in Inches [mm]

