

24V DC-Powered Relay Modules

DC-powered relay modules provide isolation, switch high current (10A) loads, and include diode protection to prevent voltage spikes at the relay coil from damaging connected 16-point PLC I/O modules. Relays are included with these modules.

Modules mount on 35 mm DIN rail part #DN-R15S1 (15 mm DIN rail optional).



ZL-RRL16-24-1



ZL-RRL16-24-2

Specifications								
24V DC-Powered Relay Module	Part #	Pcs/Pkg	Price/Pkg	Weight (lbs)	Part #	Pcs/Pkg	Price/Pkg	Weight (lbs)
	ZL-RRL16-24-1	1		1.45	ZL-RRL16-24-2	1		1.45
Description	16 Output Relay module, sinking, with LEDs, 24 VDC coil				16 Output Relay module, sourcing, with LEDs, 24 VDC coil			
Operating Frequency	20 cycles per minute electrical, 300 cycles per minute mechanical							
Isolation Coil to Contact	2500VAC for 1 minute							
Isolation NC Contact to NO Contact Same Relay	1000VAC for 1 minute							
Isolation Between Relays	1000VAC for 1 minute							
Red LED Indicator State Relay	ON = relay energized, OFF = relay de-energized				ON = relay de-energized, OFF = relay energized			
Operating Temperature Range	32 to 140°F (0 to 60°C)							
Humidity Range	45 to 85% RH							
Terminal Block Contacts	Copper alloy, tin-lead plated							
Wire Range *	12-24AWG Solid or Stranded Conductor							
Wire Strip Length	0.24-0.27" (6-7mm)							
Screw Torque	4.4 in-lbs (0.5 Nm)							
Connector Type	Molex Micro-Fit 3.0, 24 pin connector, example receptacle 43020-2400, Pins 43031 Series, Male							
Connecting Cables (Sold Separately)	See Wiring Selection Guides at the beginning of this section. See Connection Cable specifications tables at the end of this section.							
Replacement Relays	ZL-RELAY-24X4, Qty. 4/pkg							
Dimensions (WxHxD)	11.77" x 3.42" x 2.14" (299mm x 86.8mm x 54.3mm)							
Approvals	File # E157382 UL, cUL 508							
Cable/Wire Clearance	0.5" (12.7mm) required							
Mounting Restrictions	Horizontal mounting only, non-corrosive environment							

Relay Specifications * *			
	Contact	Coil	
Current Rating	30VDC @ 10A, 250VAC @ 8A, General Use	Input Voltage Rating	24VDC (-20%/+30%)
Contact Type	1 Form C (SPDT)	Maximum Continuous Coil Voltage	31.2VDC
Contact Voltage (per point) *	250VAC/30VDC	Rated Current per Coil	16.7mA (±10%) @ 24 VDC
Maximum Power Inductive	2000VA General Use	Coil Resistance	1440Ω (±10%)
Maximum Power Resistive	AC 2000VA, DC 300W	Power Consumption per Coil	0.4W
Maximum Switching Voltage	250VAC, 110VDC	Total Coil Supply Current Max.	293mA (all relays on)
Minimum Load	10mA @ 5VDC	Pick Up Current Max. per Coil	15mA
Contact Resistance	100mΩ Max @ 1A, 6VDC	Drop-Out Voltage Min.	1.2VDC
Contact Material	AgNi (Silver Nickel Alloy)	Pick-Up Voltage Max.	19.2VDC
Vibration Resistance	10 to 55 Hz dual amplitude width 1.5mm	Off to On/On to Off Response Time	12ms/8ms
Shock Resistances	1000m/s ² endurance, 100m/s ² operation		
Service Life	Mechanical: 10,000,000 Operations at no load condition; Electrical: 100,000 Operations at rated resistive load		

* Use conductors rated for 60°/75°C for relay outputs.

* * Relay modules are reverse polarity protected and will not operate if reverse voltage is connected.

Note: See wiring details and dimensional drawings on our Web site at:

<http://static/manuals/ziflinks/ziflinks.html>



Accessories

Replacement Relays

Replacement relays are offered with a 24VDC coil or 120VAC coil and are for use with the ZIPLink relay modules.

Sold in packages of 4.



ZL-RELAY-24X4



ZL-RELAY-120X4

24VDC Relay Specifications			
Contact		Coil	
Current Rating	30VDC @ 10A 250VAC @ 8A General Use	Input Voltage Range	24VDC (-20%/+30%)
Contact Type	1 Form C (SPDT)	Maximum Continuous Coil Voltage	31.2VDC
Contact Voltage (per point)	250VAC/30VDC	Rated Current per Coil	16.7mA (±10%) @ 24 VDC
Maximum Power Inductive	2000VA General Use	Coil Resistance	1440Ω (±10%)
Maximum Power Resistive	AC 2000VA, DC 300W	Power Consumption per Coil	0.4W
Maximum Switching Voltage	250VAC, 110VDC	Pick Up Current Max. per Coil	15mA
Minimum Load	10mA @ 5VDC	Drop-Out Voltage Min.	1.2VDC
Contact Resistance	100mΩ Max @ 1A, 6VDC	Pick-Up Voltage Max.	19.2VDC
Contact Material	AgNi (Silver Nickel Alloy)	Off to On/On to Off Response Time	12ms/8ms
		Weight (lbs)	0.11
120VAC Relay Specifications			
Contact		Coil	
Current Rating	30VDC @ 10A 250VAC @ 8A General Use	Input Voltage Range	115VAC (-20%/+30%), 50-60Hz
Contact Type	1 Form C (SPDT)	Maximum Continuous Coil Voltage	150VAC
Contact Voltage (per point)	250VAC/30VDC	Rated Current per Coil	7.65mA (±10%) @ 115VAC 50Hz 6.30mA (±10%) @ 115VAC 60Hz
Maximum Power Inductive	2000VA General Use	Coil Resistance	8100Ω (±10%)
Maximum Power Resistive	AC 2000VA, DC 300W	Power Consumption per Coil	0.88W @ 50Hz 0.73W @ 60Hz
Maximum Switching Voltage	250VAC, 110VDC	Drop-Out Voltage Min.	34.5VAC
Minimum Load	10mA @ 5VDC	Pick-Up Voltage Max.	92VAC
Contact Resistance	100mΩ Max @ 1A, 6VDC	Off to On/On to Off Response Time	12ms/8ms
Contact Material	AgNi (Silver Nickel Alloy)	Weight (lbs)	0.11

Installation Accessories

Accessories			
	Part #	Pcs/Pkg	Price/Pkg
DIN Rail	DN-R35S1	10	
Angled Support Bracket	DN-ASB1	50	
End Bracket	DN-EB35	50	

Module Dimensions

Company Information

Terminal Blocks

Power Distribution Blocks

Wiring Accessories

ZIP Link Connection System

Multi-wire Connectors

Sensor Cables and Connectors

M12 Junction Blocks

Panel Interface Connectors

Wiring Duct

Cable Ties

Wire

Bulk Multi-conductor Cables

Wire Management Products

Power Supplies

DC Converters

Transformers and Filters

Circuit Protection

Tools

Test Equipment

Enclosures

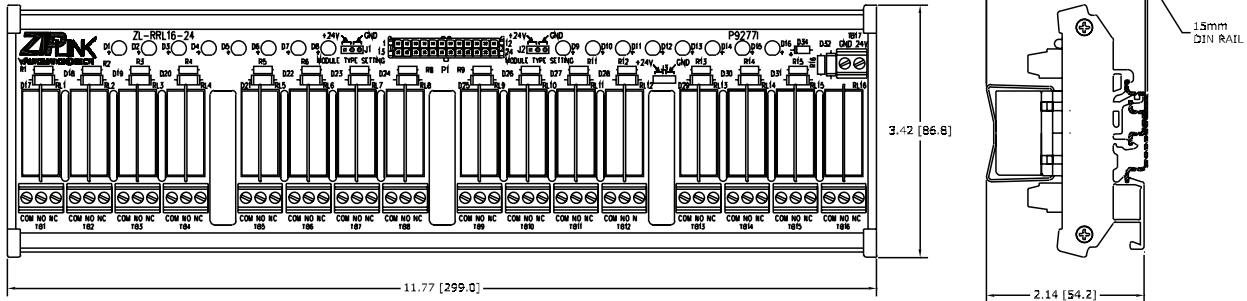
Enclosure Climate Control

Safety: Electrical Components

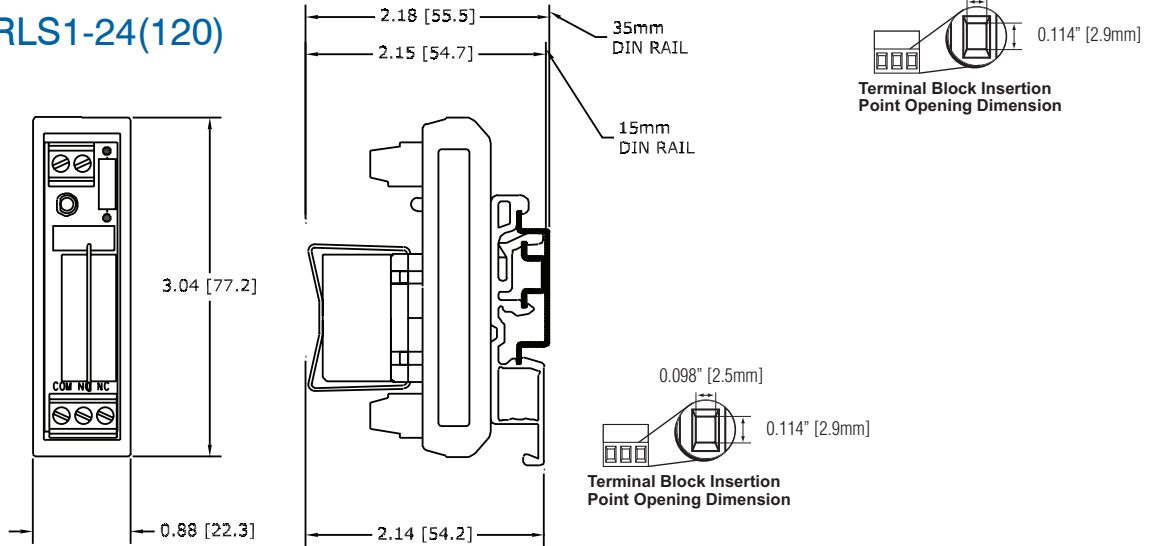
Safety: Protective Wear

Terms and Conditions

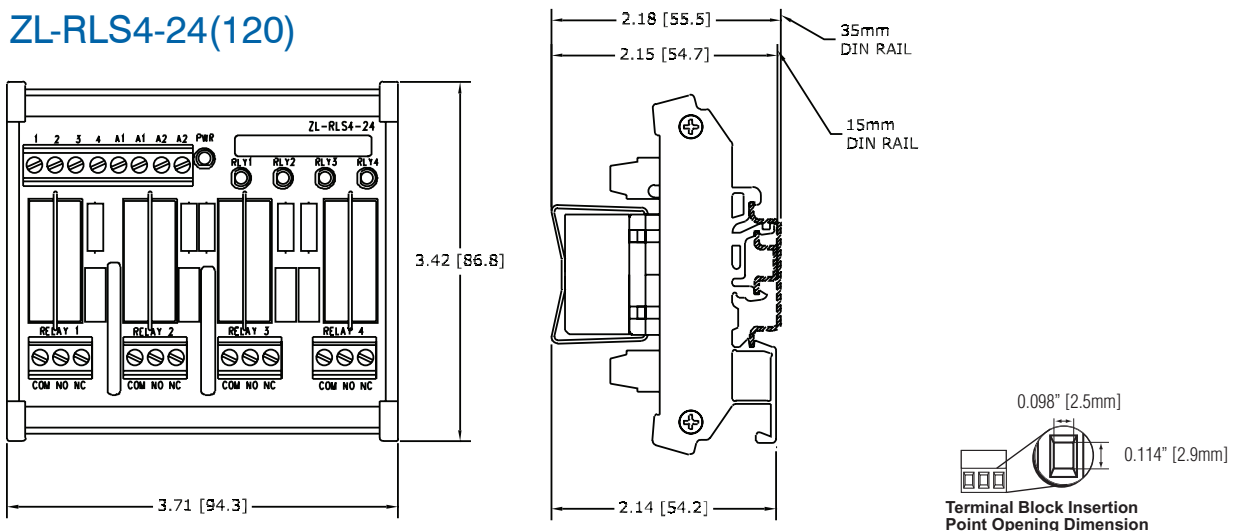
ZL-RRL16-24-1 ZL-RRL16-24-2



ZL-RLS1-24(120)



ZL-RLS4-24(120)



Note: Dimensions shown in Inches [mm]



PLC I/O Modules to ZIPLink Connector Modules – CLICK



NOTE: IN EACH TABLE BELOW SELECT THE LENGTH OF CABLE BY REPLACING THE * AS FOLLOWS: (BLANK) = 0.5M, -1 = 1.0M, -2 = 2.0M.

CLICK CPU Module ZIPLink Selector				
CPU Module	# of Terms	ZIPLink		
		Component	Module Part No.	Cable Part No.
CO-00DD1-D	20	Feedthrough	ZL-RTB20	ZL-CO-CBL20 *
CO-00DD2-D				
CO-00DR-D				
CO-00AR-D				
CO-01DD1-D				
CO-01DD2-D				
CO-01DR-D				
CO-01AR-D				
CO-10DD1E-D				
CO-10DD2E-D				
CO-10DRE-D				
CO-10ARE-D				
CO-11DD1E-D				
CO-11DD2E-D				
CO-11DRE-D				
CO-11ARE-D				
CO-02DD1-D	20	No ZIPLinks are available for analog CPU modules.		
CO-02DD2-D				
CO-02DR-D				

CLICK CPU Discrete Output Module ZIPLink Selector				
I/O Module		ZIPLink		
Output Module	# of Terms	Component	Module Part No.	Cable Part No.
CO-08TD1	11	Feedthrough	ZL-RTB20	ZL-CO-CBL11 *
CO-08TD2				
CO-08TR				
CO-08TA				
CO-16TD1	20	Fuse	ZL-RFU20 ²	ZL-CO-CBL20 *
CO-16TD2		Relay (sinking)	ZL-RRL16-24-1	
		Feedthrough	ZL-RTB20	
CO-16TD2	Fuse	ZL-RFU20 ²		
	Relay (sourcing)	ZL-RRL16-24-2		
CO-04TRS ¹	20	Feedthrough	ZL-RTB20	

1 The CO-04TRS relay output is derated not to exceed 2A per point maximum when used with the ZIPLink wiring system.

2 Fuses (5 x 20 mm) are not included. See Edison Electronic Fuse section for (5 x 20 mm) fuse. S500 and GMA electronic circuit protection for fast-acting maximum protection. S506 and GMC electronic circuit protection for time-delay performance. Ideal for inductive circuits. To ensure proper operation, do not exceed the voltage and current rating of ZIPLink module. ZL-RFU20 = 2A per circuit.

CLICK CPU Discrete Input Module ZIPLink Selector				
I/O Module		ZIPLink		
Input Module	# of Terms	Component	Module Part No.	Cable Part No.
CO-08ND3	11	Feedthrough	ZL-RTB20	ZL-CO-CBL11 *
CO-08ND3-1				
CO-08NE3				
CO-08NA				
CO-16ND3	20	Sensor	ZL-LTB16-24	ZL-CO-CBL20 *
CO-16NE3		Feedthrough	ZL-RTB20	
	CO-16NE3	20	Sensor	

CLICK CPU Combo I/O Module ZIPLink Selector				
I/O Module		ZIPLink		
Combo Module	# of Terms	Component	Module Part No.	Cable Part No.
CO-16CDD1	20	Feedthrough	ZL-RTB20	ZL-CO-CBL20 *
CO-16CDD2	20		ZL-RTB20	ZL-CO-CBL20 *
CO-08CDR	11		ZL-RTB20	ZL-CO-CBL11 *

CLICK CPU Analog I/O Module ZIPLink Selector				
I/O Module		ZIPLink		
Analog Module	# of Terms	Component	Module Part No.	Cable Part No.
CO-04AD-1	11	Feedthrough	ZL-RTB20	ZL-CO-CBL11 *
CO-04AD-2				
CO-04RTD	20	No ZIPLinks are available for RTD and thermocouple modules.		
CO-04THM	11			
CO-04DA-1	11	Feedthrough	ZL-RTB20	ZL-CO-CBL11 *
CO-04DA-2				
CO-4AD2DA-1	20			ZL-CO-CBL20 *
CO-4AD2DA-2				



NOTE: ZIPLINK CONNECTOR MODULES SPECIFICATIONS ARE ON THE FOLLOWING PAGES IN THE COMPATIBILITY MATRIX TABLES. ZIPLINK CABLES SPECIFICATIONS ARE AT THE END OF THIS ZIPLINK SECTION.





PLC I/O Modules to ZIPLink Connector Modules – DL05/06

DL05/06 PLC Input Module ZIPLink Selector				
PLC		ZIPLink		
Input Module	# of Terms	Component	Module Part No.	Cable Part No.
D0-10ND3	13	Feedthrough	ZL-RTB20	ZL-D0-CBL13 *
D0-10ND3F	13	Feedthrough	ZL-RTB20	ZL-D0-CBL13 *
D0-16ND3	24	Feedthrough	ZL-RTB20	ZL-D0-CBL24 *L
		Sensor	ZL-LTB16-24	ZL-D0-CBL24 *L
F0-08NA-1	10	Feedthrough	ZL-RTB20	ZL-D0-CBL10 *

DL05/06 PLC Combo In/Out Module ZIPLink Selector				
PLC		ZIPLink		
Combo Module	# of Terms	Component	Module Part No.	Cable Part No.
D0-07CDR	10	Feedthrough	ZL-RTB20	ZL-D0-CBL10 *
D0-08CDD1	13	Feedthrough	ZL-RTB20	ZL-D0-CBL13 *

DL05/06 PLC Analog Module ZIPLink Selector				
PLC		ZIPLink		
Analog Module	# of Terms	Component	Module	Cable
F0-04AD-1	8	Feedthrough	ZL-RTB20	ZL-D0-CBL8 *
F0-04AD-2	8	Feedthrough	ZL-RTB20	ZL-D0-CBL8 *
F0-08ADH-1	13	Feedthrough	ZL-RTB20	ZL-D0-CBL13 *
F0-08ADH-2	13	Feedthrough	ZL-RTB20	ZL-D0-CBL13 *
F0-04DAH-1	13	Feedthrough	ZL-RTB20	ZL-D0-CBL13 *
F0-08DAH-1	13	Feedthrough	ZL-RTB20	ZL-D0-CBL13 *
F0-04DAH-2	13	Feedthrough	ZL-RTB20	ZL-D0-CBL13 *
F0-08DAH-2	13	Feedthrough	ZL-RTB20	ZL-D0-CBL13 *
F0-2AD2DA-2	8	Feedthrough	ZL-RTB20	ZL-D0-CBL8 *
F0-4AD2DA-1	8	Feedthrough	ZL-RTB20	ZL-D0-CBL8 *
F0-4AD2DA-2	8	Feedthrough	ZL-RTB20	ZL-D0-CBL8 *
F0-04RTD ²	Matched Only		See Note 2	
F0-04THM ²	Matched Only		See Note 2	

NOTE: ZIPLINK CONNECTOR MODULES SPECIFICATIONS FOLLOW THE COMPATIBILITY MATRIX TABLES. ZIPLINK CABLES SPECIFICATIONS ARE AT THE END OF THIS ZIPLINK SECTION.

DL05/06 PLC Output Module ZIPLink Selector				
PLC		ZIPLink		
Output Module	# of Terms	Component	Module Part No.	Cable Part No.
D0-10TD1	13	Feedthrough	ZL-RTB20	ZL-D0-CBL13 *
D0-16TD1	24	Feedthrough	ZL-RTB20	ZL-D0-CBL24 *
		Fuse	ZL-RFU20 ³	ZL-D0-CBL24 *
		Relay (sinking)	ZL-RRL16-24-1	ZL-D0-CBL24 *
D0-10TD2	13	Feedthrough	ZL-RTB20	ZL-D0-CBL13 *
D0-16TD2	24	Feedthrough	ZL-RTB20	ZL-D0-CBL24 *
		Fuse	ZL-RFU20 ³	ZL-D0-CBL24 *
		Relay (sourcing)	ZL-RRL16-24-2	ZL-D0-CBL24 *
D0-08TR	10	Feedthrough	ZL-RTB20	ZL-D0-CBL10 *
F0-04TRS ¹	13	Feedthrough	ZL-RTB20	ZL-D0-CBL13 *

DL05/06 PLC Fixed I/O ZIPLink Selector				
PLC		ZIPLink		
PLC	# of Terms	Component	Module Part No.	Cable Part No.
DL05	18	Feedthrough	ZL-RTB20	ZL-D05-CBL18 *
DL06 **	20 (Input side only)	Feedthrough	ZL-RTB20	ZL-D06X-CBL20 *
	20 (Output side only)	Feedthrough	ZL-RTB20	ZL-D06Y-CBL20 *

* Select the cable length by replacing the * with: Blank = 0.5m, -1 = 1.0m, or -2 = 2.0m.

** Inputs side only connects X0 through X17. X20 thru X23 will have to be hand wired if used. Output side the power and auxiliary power terminals will have to be hand wired.

¹ Caution: The F0-04TRS relay outputs are derated not to exceed 2A per point when used with the ZIPLink wiring system.

² These modules are not supported by the ZIPLink wiring system.

³ Note: Fuses (5 x 20 mm) are not included. See Edison Electronic Fuse section for (5 x 20 mm) fuse. S500 and GMA electronic circuit protection for fast-acting maximum protection. S506 and GMC electronic circuit protection for time-delay performance. Ideal for inductive circuits. To ensure proper operation, do not exceed the voltage and current rating of ZIPLink module. ZL-RFU20 = 2A per circuit; ZL-RFU40 = 400 mA per circuit.





PLC I/O Modules to ZIPLink Connector Modules – Do-more / DL205

Do-more / DL205 PLC Input Module ZIPLink Selector				
PLC		ZIPLink		
Input Module	# of Terms	Component	Module Part No.	Cable Part No. †
D2-08ND3	10	Feedthrough	ZL-RTB20	ZL-D2-CBL10 *
D2-16ND3-2	19	Feedthrough	ZL-RTB20	ZL-D2-CBL19 *
		Sensor	ZL-LTB16-24	ZL-D2-CBL19 *
D2-32ND3 ¹	40	Feedthrough	ZL-RTB40	ZL-D24-CBL40 *
			ZL-D24-CBL40 *X	
		Sensor	ZL-LTB32-24	ZL-D24-CBL40 *
			ZL-D24-CBL40 *X	
D2-32ND3-2 ¹	40	Feedthrough	ZL-RTB40	ZL-D24-CBL40 *
		ZL-D24-CBL40 *X		
D2-08NA-1	10	Feedthrough	ZL-RTB20	ZL-D2-CBL10 *
			ZL-D2-CBL10 *	
D2-08NA-2	10	Feedthrough	ZL-RTB20	ZL-D2-CBL10 *
D2-16NA	19	Feedthrough	ZL-RTB20	ZL-D2-CBL19 *

† X in the part number represents a 45° angle.

Do-more/DL205 PLC Combo In/Out Module ZIPLink Selector				
PLC		ZIPLink		
Combo Module	# of Terms	Component	Module Part No.	Cable Part No.
D2-08CDR	10	Feedthrough	ZL-RTB20	ZL-D2-CBL10 *

Do-more/DL205 PLC Analog Module ZIPLink Selector				
PLC		ZIPLink		
Analog Module	# of Terms	Component	Module	Cable
F2-04AD-1	10	Feedthrough	ZL-RTB20	ZL-D2-CBL10 *
F2-04AD-1L	10	Feedthrough	ZL-RTB20	ZL-D2-CBL10 *
F2-08AD-1	10	Feedthrough	ZL-RTB20	ZL-D2-CBL10 *
F2-04AD-2	10	Feedthrough	ZL-RTB20	ZL-D2-CBL10 *
F2-04AD-2L	10	Feedthrough	ZL-RTB20	ZL-D2-CBL10 *
F2-08AD-2	10	Feedthrough	ZL-RTB20	ZL-D2-CBL10 *
F2-02DA-1	10	Feedthrough	ZL-RTB20	ZL-D2-CBL10 *
F2-02DA-1L	10	Feedthrough	ZL-RTB20	ZL-D2-CBL10 *
F2-02DAS-1	10	Feedthrough	ZL-RTB20	ZL-D2-CBL10 *
F2-08DA-1	19	Feedthrough	ZL-RTB20	ZL-D2-CBL19 *
F2-02DA-2	10	Feedthrough	ZL-RTB20	ZL-D2-CBL10 *
F2-02DA-2L	10	Feedthrough	ZL-RTB20	ZL-D2-CBL10 *
F2-02DAS-2	10	Feedthrough	ZL-RTB20	ZL-D2-CBL10 *
F2-08DA-2	10	Feedthrough	ZL-RTB20	ZL-D2-CBL10 *
F2-4AD2DA	10	Feedthrough	ZL-RTB20	ZL-D2-CBL10 *
F2-8AD4DA-1	19	Feedthrough	ZL-RTB20	ZL-D2-CBL19 *
F2-8AD4DA-2	19	Feedthrough	ZL-RTB20	ZL-D2-CBL19 *
F2-04RTD ⁴	Matched Only		See Note 4	
F2-04THM ⁴	Matched Only		See Note 4	

Do-more/ DL205 PLC Output Module ZIPLink Selector				
PLC		ZIPLink		
Output Module	# of Terms	Component	Module Part No.	Cable Part No. †
D2-04TD1 ¹	10	Feedthrough	ZL-RTB20	ZL-D2-CBL10 *
D2-08TD1	10	Feedthrough	ZL-RTB20	ZL-D2-CBL10 *
D2-08TD2	10	Feedthrough	ZL-RTB20	ZL-D2-CBL10 *
D2-16TD1-2	19	Feedthrough	ZL-RTB20	ZL-D2-CBL19 *
		Fuse	ZL-RFU20 ⁵	ZL-D2-CBL19 *
D2-16TD2-2	19	Feedthrough	ZL-RTB20	ZL-D2-CBL19 *
		Fuse	ZL-RFU20 ⁵	ZL-D2-CBL19 *
		Relay	ZL-RR16-24-2	ZL-D2-CBL19 *
F2-16TD1P	19	Feedthrough	ZL-RTB20	ZL-D2-CBL19 *
F2-16TD2P	19	Feedthrough	ZL-RTB20	ZL-D2-CBL19 *
D2-32TD1 ¹	40	Feedthrough	ZL-RTB40	ZL-D24-CBL40 *
		Fuse	ZL-RFU40 ⁵	ZL-D24-CBL40 *X
D2-32TD2 ²	40	Feedthrough	ZL-RTB40	ZL-D24-CBL40 *
			ZL-D24-CBL40 *X	
		Fuse	ZL-RFU40 ⁵	ZL-D24-CBL40 *
D2-08TA	10	Feedthrough	ZL-RTB20	ZL-D2-CBL10 *
F2-08TA	10	Feedthrough	ZL-RTB20	ZL-D2-CBL10 *
D2-12TA	19	Feedthrough	ZL-RTB20	ZL-D2-CBL19 *
		Fuse	ZL-RFU20 ⁵	ZL-D2-CBL19 *
D2-04TRS ³	10	Feedthrough	ZL-RTB20	ZL-D2-CBL10 *
D2-08TR	10	Feedthrough	ZL-RTB20	ZL-D2-CBL10 *
F2-08TRS ³	19	Feedthrough	ZL-RTB20	ZL-D2-CBL19 *
F2-08TR ³	10	Feedthrough	ZL-RTB20	ZL-D2-CBL10 *
D2-12TR	19	Feedthrough	ZL-RTB20	ZL-D2-CBL19 *
		Fuse	ZL-RFU20 ⁵	ZL-D2-CBL19 *

† X in the part number represents a 45° angle plug

* Select the cable length by replacing the * with: Blank = 0.5m, -1 = 1.0m, or -2 = 2.0m.

1 To make a custom cable for the 32-point modules, use: Ribbon-style Connector ZL-D24-CON-R, Solder-style 180° connector ZL-D24-CON or Solder-style 45° connector ZL-D24-CON-X

2 Caution: The D2-04TD1, D2-04TRS, and F2-08TRS outputs are derated not to exceed module specs 2A per point and 2A per common when used with the ZIPLink wiring system.

3 The F2-08TR outputs are derated not to exceed 2A per point and 4A per common when used with the ZIPLink wiring system.

4 The F2-04RTD and F2-04THM modules are not supported by the ZIPLink wiring system.

5 Note: Fuses (5 x 20 mm) are not included. See Edison Electronic Fuse section for (5 x 20 mm) fuse. S500 and GMA electronic circuit protection for fast-acting maximum protection. S506 and GMC electronic circuit protection for time-delay performance. Ideal for inductive circuits.

To ensure proper operation, do not exceed the voltage and current rating of ZIPLink module. ZL-RFU20 = 2A per circuit; ZL-RFU40 = 400 mA per circuit.



NOTE: ZIPLINK CONNECTOR MODULES SPECIFICATIONS FOLLOW THE COMPATIBILITY MATRIX TABLES. ZIPLINK CABLES SPECIFICATIONS ARE AT THE END OF THIS ZIPLINK SECTION.



PLC I/O Modules to ZIPLink Connector Modules - DL305

DL305 PLC Input Module ZIPLink Selector				
PLC		ZIPLink		
Input Module	# of Terms	Component	Module Part No.	Cable Part No.
D3-08ND2 ¹	10	See Note 1		
D3-16ND2-1	18	Feedthrough	ZL-RTB20	ZL-D3-CBL18 *
D3-16ND2F	18	Feedthrough	ZL-RTB20	ZL-D3-CBL18 *
D3-16ND3F	18	Feedthrough	ZL-RTB20	ZL-D3-CBL18 *
D3-08NA-1 ¹	10	See Note 1		
D3-08NA-2 ¹	10	See Note 1		
D3-16NA	18	Feedthrough	ZL-RTB20	ZL-D3-CBL18 *
D3-08NE3 ¹	10	See Note 1		
D3-16NE3	18	Feedthrough	ZL-RTB20	ZL-D3-CBL18 *
		Sensor	ZL-LTB16-24	ZL-D3-CBL18 *

DL305 PLC Analog Module ZIPLink Selector				
PLC		ZIPLink		
Analog Module	# of Terms	Component	Module	Cable
F3-04ADS	18	Feedthrough	ZL-RTB20	ZL-D3-CBL18 *
F3-08AD-1	18	Feedthrough	ZL-RTB20	ZL-D3-CBL18 *
F3-16AD	18	Feedthrough	ZL-RTB20	ZL-D3-CBL18 *
F3-04DA-1	18	Feedthrough	ZL-RTB20	ZL-D3-CBL18 *
F3-04DAS	18	Feedthrough	ZL-RTB20	ZL-D3-CBL18 *
F3-08THM-J ³	T/C Wire Only	See Note 3		
F3-08THM-K ³	T/C Wire Only	See Note 3		



NOTE: ZIPLINK CONNECTOR MODULES SPECIFICATIONS FOLLOW THE COMPATIBILITY MATRIX TABLES. ZIPLINK CABLES SPECIFICATIONS ARE AT THE END OF THIS ZIPLINK SECTION.

DL305 PLC Output Module ZIPLink Selector				
PLC		ZIPLink		
Output Module	# of Terms	Component	Module Part No.	Cable Part No.
D3-04TD1 ¹	10	See Note 1		
D3-08TD1 ¹	10	See Note 1		
D3-08TD2 ¹	10	See Note 1		
D3-16TD1-1	18	Feedthrough	ZL-RTB20	ZL-D3-CBL18 *
		Fuse	ZL-RFU20 ⁴	ZL-D3-CBL18 *
		Relay (sinking)	ZL-RRL16-24-1	ZL-D3-CBL18 *
D3-16TD2	18	Feedthrough	ZL-RTB20	ZL-D3-CBL18 *
		Fuse	ZL-RFU20 ⁴	ZL-D3-CBL18 *
		Relay (sourcing)	ZL-RRL16-24-2	ZL-D3-CBL18 *
D3-04TAS ¹	10	See Note 1		
F3-08TAS-1	18	Feedthrough	ZL-RTB20	ZL-D3-CBL18 *
D3-08TA-1	18	Feedthrough	ZL-RTB20	ZL-D3-CBL18 *
D3-08TA-2 ¹	10	See Note 1		
F3-16TA-2	18	Feedthrough	ZL-RTB20	ZL-D3-CBL18 *
		Fuse	ZL-RFU20 ⁴	ZL-D3-CBL18 *
D3-16TA-2	18	Feedthrough	ZL-RTB20	ZL-D3-CBL18 *
		Fuse	ZL-RFU20 ⁴	ZL-D3-CBL18 *
D3-08TR ¹	10	See Note 1		
D3-16TR ²	18	Feedthrough	ZL-RTB20	ZL-D3-CBL18 *
		Fuse	ZL-RFU20 ⁴	ZL-D3-CBL18 *
F3-08TRS-1 ²	18	Feedthrough	ZL-RTB20	ZL-D3-CBL18 *
F3-08TRS-2 ²	18	Feedthrough	ZL-RTB20	ZL-D3-CBL18 *

* Select the cable length by replacing the * with: Blank = 0.5m, -1 = 1.0m, or -2 = 2.0m.

- 1 These I/O modules have non-removable terminal blocks which can be terminated using the ZL-CBL24-1P or 2P pigtail cable and the ZL-RTB20 module of the ZIPLink wiring system.
- 2 Caution: The D3-16TR, F3-08TRS-1 and F3-08TRS-2 relay outputs are derated not to exceed 2A per point and 4A per common when used with the ZIPLink wiring system.
- 3 The F3-08THM-J and F3-08THM-K modules are not supported by the ZIPLink wiring system.
- 4 Note: Fuses (5 x 20 mm) are not included. See Edison Electronic Fuse section for (5 x 20 mm) fuse. S500 and GMA electronic circuit protection for fast-acting maximum protection. S506 and GMC electronic circuit protection for time-delay performance. Ideal for inductive circuits. To ensure proper operation, do not exceed the voltage and current rating of ZIPLink module. ZL-RFU20 = 2A per circuit; ZL-RFU40 = 400 mA per circuit.





PLC I/O Modules to ZIPLink Connector Modules - DL405

DL405 PLC Input Module ZIPLink Selector				
PLC		ZIPLink		
Input Module	# of Terms	Component	Module Part No.	Cable Part No.
D4-08ND3S	20	Feedthrough	ZL-RTB20	ZL-D4-CBL20 *
D4-16ND2	20	Feedthrough	ZL-RTB20	ZL-D4-CBL20 *
		Sensor	ZL-LTB16-24	ZL-D4-CBL20 *
D4-16ND2F	20	Feedthrough	ZL-RTB20	ZL-D4-CBL20 *
		Sensor	ZL-LTB16-24	ZL-D4-CBL20 *
D4-32ND3-1 ²	40	Feedthrough	ZL-RTB40	ZL-D24-CBL40 * ZL-D24-CBL40 *X
		Sensor	ZL-LTB32-24	ZL-D24-CBL40 *X
D4-32ND3-2 ²	40	Feedthrough	ZL-RTB40	ZL-D24-CBL40 * ZL-D24-CBL40 *X
		Sensor	ZL-LTB32-24	ZL-D24-CBL40 *X
D4-64ND2 ¹	40	Feedthrough	ZL-RTB40	ZL-D24-CBL40 * ZL-D24-CBL40 *X
		Sensor	ZL-LTB32-24	ZL-D24-CBL40 *X
D4-08NA ³	11	See Note 3		
D4-16NA	20	Feedthrough	ZL-RTB20	ZL-D4-CBL20 *
D4-16NA-1	20	Feedthrough	ZL-RTB20	ZL-D4-CBL20 *
D4-16NE3	20	Feedthrough	ZL-RTB20	ZL-D4-CBL20 *
		Sensor	ZL-LTB16-24	ZL-D4-CBL20 *
F4-08NE3S	20	Feedthrough	ZL-RTB20	ZL-D4-CBL20 *

DL405 PLC Analog Module ZIPLink Selector				
PLC		ZIPLink		
Analog Module	# of Terms	Component	Module	Cable
F4-04AD	20	Feedthrough	ZL-RTB20	ZL-D4-CBL20 *
F4-04ADS	20	Feedthrough	ZL-RTB20	ZL-D4-CBL20 *
F4-08AD	20	Feedthrough	ZL-RTB20	ZL-D4-CBL20 *
F4-16AD-1	20	Feedthrough	ZL-RTB20	ZL-D4-CBL20 *
F4-16AD-2	20	Feedthrough	ZL-RTB20	ZL-D4-CBL20 *
F4-04DA-1	20	Feedthrough	ZL-RTB20	ZL-D4-CBL20 *
F4-04DA-2	20	Feedthrough	ZL-RTB20	ZL-D4-CBL20 *
F4-08DA-1	20	Feedthrough	ZL-RTB20	ZL-D4-CBL20 *
F4-16DA-1	20	Feedthrough	ZL-RTB20	ZL-D4-CBL20 *
F4-08DA-2	20	Feedthrough	ZL-RTB20	ZL-D4-CBL20 *
F4-16DA-2	20	Feedthrough	ZL-RTB20	ZL-D4-CBL20 *
F4-04DAS-1	20	Feedthrough	ZL-RTB20	ZL-D4-CBL20 *
F4-04DAS-2	20	Feedthrough	ZL-RTB20	ZL-D4-CBL20 *
F4-08THM ⁴	T/C Wire Only		See Note 3	
F4-08THM-n ⁴	T/C Wire Only		See Note 3	
F4-08RTD ⁵	T/C Wire Only		See Note 3	

NOTE: ZIPLINK CONNECTOR MODULES SPECIFICATIONS FOLLOW THE COMPATIBILITY MATRIX TABLES. ZIPLINK CABLES SPECIFICATIONS ARE AT THE END OF THIS ZIPLINK SECTION.

DL405 PLC Output Module ZIPLink Selector				
PLC		ZIPLink		
Output Module	# of Terms	Component	Module Part No.	Cable Part No.
D4-08TD1 ³	11	See Note 3		
F4-08TD1S ³	20	See Note 3		
D4-16TD1	20	Feedthrough	ZL-RTB20	ZL-D4-CBL20 *
		Fuse	ZL-RFU20 ⁶	ZL-D4-CBL20 *
D4-16TD2	20	Feedthrough	ZL-RTB20	ZL-D4-CBL20 *
		Fuse	ZL-RFU20 ⁶	ZL-D4-CBL20 *
		Relay	ZL-RRL16-24-2	ZL-D4-CBL20 *
D4-32TD1 ²	40	Feedthrough	ZL-RTB40	ZL-D24-CBL40 * ZL-D24-CBL40 *X
		Fuse	ZL-RFU40 ⁶	ZL-D24-CBL40 *X
D4-32TD1-1	40	Feedthrough	ZL-RTB40	ZL-D24-CBL40 * ZL-D24-CBL40 *X
		Fuse	ZL-RFU40 ⁶	ZL-D24-CBL40 *X
D4-32TD2 ²	40	Feedthrough	ZL-RTB40	ZL-D24-CBL40 * ZL-D24-CBL40 *X
		Fuse	ZL-RFU40 ⁶	ZL-D24-CBL40 *X
D4-64TD1 ¹	40	Feedthrough	ZL-RTB40	ZL-D24-CBL40 * ZL-D24-CBL40 *X
		Fuse	ZL-RFU40 ⁶	ZL-D24-CBL40 *X
D4-08TA ³	11	See Note 3		
D4-16TA	20	Feedthrough	ZL-RTB20	ZL-D4-CBL20 *
		Fuse	ZL-RFU20 ⁶	ZL-D4-CBL20 *
D4-08TR ³	11	See Note 3		
F4-08TRS-1 ⁵	20	Feedthrough	ZL-RTB20	ZL-D4-CBL20 *
F4-08TRS-2 ⁵	20	Feedthrough	ZL-RTB20	ZL-D4-CBL20 *
D4-16TR ⁴	20	Feedthrough	ZL-RTB20	ZL-D4-CBL20 *
		Fuse	ZL-RFU20 ⁶	ZL-D4-CBL20 *

* Select the cable length by replacing the * with: Blank = 0.5m, -1 = 1.0m, or -2 = 2.0m.

- ¹ The D4-64ND2 and D4-64TD1 modules have two 32-point connectors and require two ZIPLink cables and two ZIPLink connector modules.
- ² To make a custom cable for the 32 or 64-point modules, use: Ribbon-style Connector ZL-D24-CON-R, Solder-style 180° connector ZL-D24-CON or Solder-style 45° connector ZL-D24-CON-X
- ³ These modules are not supported by the ZIPLink wiring system.
- ⁴ Caution: The D4-16TR relay outputs are derated not to exceed 2 Amps per point and 4 Amps per common when used with the ZIPLink wiring system.
- ⁵ The F4-08TRS-1 and F4-08TRS-2 are derated not to exceed 2 Amps per point and 2 Amps per common when used with the ZIPLink wiring system.
- ⁶ Note: Fuses (5 x 20 mm) are not included. See Edison Electronic Fuse section for (5 x 20 mm) fuse. S500 and GMA electronic circuit protection for fast-acting maximum protection. S506 and GMC electronic circuit protection for time-delay performance. Ideal for inductive circuits. To ensure proper operation, do not exceed the voltage and current rating of ZIPLink module. ZL-RFU20 = 2A per circuit; ZL-RFU40 = 400 mA per circuit.



PAC I/O Modules to ZIPLink Connector Modules - Productivity3000

Productivity3000 PAC Input Module ZIPLink Selector				
PAC		ZIPLink		
Input Module	# of Terms	Component	Module Part No.	Cable Part No.
P3-08NAS	20	Feedthrough	ZL-RTB20	ZL-P3-CBL20 *
P3-08ND3S	20	Feedthrough	ZL-RTB20	ZL-P3-CBL20 *
P3-16NA	20	Feedthrough	ZL-RTB20	ZL-P3-CBL20- *L
P3-16ND3	20	Feedthrough	ZL-RTB20	ZL-P3-CBL20- *L
		Sensor	ZL-LTB16-24	ZL-P3-CBL20- *L
P3-32ND3	40	Feedthrough	ZL-RTB40	ZL-CBL40 *
		Sensor	ZL-LTB32-24	ZL-CBL40 *
P3-64ND3 ¹	40	Feedthrough	ZL-RTB40	ZL-CBL40 *
		Sensor	ZL-LTB32-24	ZL-CBL40 *

Productivity3000 PAC Analog In Module ZIPLink Selector				
PAC		ZIPLink		
Analog Module	# of Terms	Component	Module	Cable
P3-04ADS	20	Feedthrough	ZL-RTB20	ZL-P3-CBL20- *L
P3-08AD	20	Feedthrough	ZL-RTB20	ZL-P3-CBL20- *L
P3-16AD-1	20	Feedthrough	ZL-RTB20	ZL-P3-CBL20- *L
P3-16AD-2	20	Feedthrough	ZL-RTB20	ZL-P3-CBL20- *L
P3-08RTD ²	Matched Only	See Note 2		
P3-08THM ²	T/C Wire Only	See Note 2		
P3-04DA	20	Feedthrough	ZL-RTB20	ZL-P3-CBL20- *L
P3-08DA-1	20	Feedthrough	ZL-RTB20	ZL-P3-CBL20- *L
P3-08DA-2	20	Feedthrough	ZL-RTB20	ZL-P3-CBL20- *L
P3-06DAS-1	20	Feedthrough	ZL-RTB20	ZL-P3-CBL20- *L
P3-06DAS-2	20	Feedthrough	ZL-RTB20	ZL-P3-CBL20- *L
P3-16DA-1	20	Feedthrough	ZL-RTB20	ZL-P3-CBL20- *L
P3-16DA-2	20	Feedthrough	ZL-RTB20	ZL-P3-CBL20- *L
P3-8AD4DA-1	20	Feedthrough	ZL-RTB20	ZL-P3-CBL20- *L
P3-8AD4DA-2	20	Feedthrough	ZL-RTB20	ZL-P3-CBL20- *L

Productivity3000 PAC Specialty Module ZIPLink Selector				
PAC		ZIPLink		
Input Module	# of Terms	Component	Module Part No.	Cable Part No.
P3-HSI	40	Feedthrough	ZL-RTB40	ZL-CBL40 *S
P3-HSO	40	Feedthrough	ZL-RTB40	ZL-CBL40 *S



NOTE: ZIPLINK CONNECTOR MODULES SPECIFICATIONS FOLLOW THE COMPATIBILITY MATRIX TABLES. ZIPLINK CABLES SPECIFICATIONS ARE AT THE END OF THIS ZIPLINK SECTION.

Productivity3000 PAC Output Module ZIPLink Selector				
PAC		ZIPLink		
Output Module	# of Terms	Component	Module Part No.	Cable Part No.
P3-08TAS	20	Feedthrough	ZL-RTB20	ZL-P3-CBL20 *
P3-08TD1S	20	Feedthrough	ZL-RTB20	ZL-P3-CBL20- *L
P3-08TD2S	20	Feedthrough	ZL-RTB20	ZL-P3-CBL20- *L
P3-08TRS	20	Feedthrough	ZL-RTB20	ZL-P3-CBL20 *
P3-16TA	20	Feedthrough	ZL-RTB20	ZL-P3-CBL20 *
		Fuse	ZL-RFU20 ⁴	ZL-P3-CBL20 *
P3-16TD1	20	Feedthrough	ZL-RTB20	ZL-P3-CBL20 *
		Fuse	ZL-RFU20 ⁴	ZL-P3-CBL20 *
		Relay (sinking)	ZL-RRL16-24-1	ZL-P3-CBL20 *
P3-16TD2	20	Feedthrough	ZL-RTB20	ZL-P3-CBL20 *
		Fuse	ZL-RFU20 ⁴	ZL-P3-CBL20 *
		Relay (sourcing)	ZL-RRL16-24-2	ZL-P3-CBL20 *
P3-16TR	20	Feedthrough	ZL-RTB20	ZL-P3-CBL20 *
		Fuse	ZL-RFU20 ⁴	ZL-P3-CBL20 *
P3-08TRS-1 ³	20	Feedthrough	ZL-RTB20	ZL-P3-CBL20 *
		Fuse	ZL-RFU20 ⁴	ZL-P3-CBL20 *
P3-32TD1	40	Feedthrough	ZL-RTB40	ZL-CBL40 *
		Fuse	ZL-RFU40 ⁴	ZL-CBL40 *
P3-32TD2	40	Feedthrough	ZL-RTB40	ZL-CBL40 *
		Fuse	ZL-RFU40 ⁴	ZL-CBL40 *
P3-64TD1 ¹	40	Feedthrough	ZL-RTB40	ZL-CBL40 *
		Fuse	ZL-RFU40 ⁴	ZL-CBL40 *
P3-64TD2 ¹	40	Feedthrough	ZL-RTB40	ZL-CBL40 *
		Fuse	ZL-RFU40 ⁴	ZL-CBL40 *
P3-16TD3P	40	Feedthrough	ZL-RTB40	ZL-CBL40 *

* Select the cable length by replacing the * with: Blank = 0.5m, -1 = 1.0m, or -2 = 2.0m.

¹ The P3-64ND3, P3-64TD1 and P3-64TD2 modules have two 32-point connectors and require two ZIPLink cables and two ZIPLink connector modules.

² These modules are not supported by the ZIPLink wiring system.

³ The P3-08TRS-1 output module is derated not to exceed 2A per point maximum when used with the ZIPLink wiring system.

⁴ Note: Fuses (5 x 20 mm) are not included. See Edison Electronic Fuse section for (5 x 20 mm) fuse. S500 and GMA electronic circuit protection for fast-acting maximum protection. S506 and GMC electronic circuit protection for time-delay performance. Ideal for inductive circuits. To ensure proper operation, do not exceed the voltage and current rating of ZIPLink module. ZL-RFU20 = 2A per circuit; ZL-RFU40 = 400 mA per circuit.

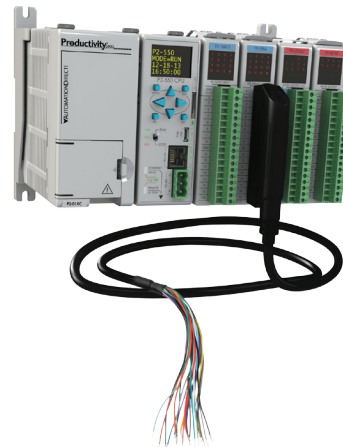




PLC I/O to 3rd Party Devices

PLC I/O to 3rd Party Devices ZIPLink Cable Selector				
PLC		ZIPLink		
PLC Family	# of Terms	Number of Wires	Pigtail Cable Part No. †	Length (Replace * with number)
CLICK I/O Modules	11	11	ZL-C0-CBL11- *P	1 = 1 meter, 2 = 2 meters
	20	20	ZL-C0-CBL20 *P	
DL05 PLC Fixed I/O	22	22	ZL-D05-CBL22- *P	
DL06 PLC Fixed I/O	24	24	ZL-D06-CBL24- *P	
DL05 & DL06 I/O Modules	8	8	ZL-D0-CBL8- *P	
	10	10	ZL-D0-CBL10- *P	
	13	13	ZL-D0-CBL13- *P	
	24	24	ZL-D0-CBL24- *P	
DL205 I/O Modules	10	10	ZL-D2-CBL10- *P	
	19	19	ZL-D2-CBL19- *P	
	40	40	ZL-D24-CBL40- *P ZL-D24-CBL40- *XP	
DL405 I/O Modules	20	20	ZL-D4-CBL20- *P	
	40	40	ZL-D24-CBL40- *XP	
			ZL-D24-CBL40- *P	
Productivity2000 I/O Modules	20	20	ZL-P2-CBL18- *P	
	24	24	ZL-P2-CBL24- *P	
Productivity3000 I/O Modules	20	20	ZL-P3-CBL20- *P	
	40	40	ZL-P3-CBL40- *P	

†X = 45° cable connector, all other cables have 180° cable connector



Specialty Modules

Company Information

Terminal Blocks

Power Distribution Blocks

Wiring Accessories

ZIP Link Connection System

Multi-wire Connectors

Sensor Cables and Connectors

M12 Junction Blocks

Panel Interface Connectors

Wiring Duct

Cable Ties

Wire

Bulk Multi-conductor Cables

Wire Management Products

Power Supplies

DC Converters

Transformers and Filters

Circuit Protection

Tools

Test Equipment

Enclosures

Enclosure Climate Control

Safety: Electrical Components

Safety: Protective Wear

Terms and Conditions

ZIP Link Specialty Modules Selector			
ZIP Link			
Module	Type	Module Part No.	Cable Part No. (optional)
24VDC Stand-Alone Relay	Single-Socket Relay	ZL-RLS1-24	N/A
	Four Socket-Relay	ZL-RLS4-24	
120VAC Stand-Alone Relay	Single-Socket Relay	ZL-RLS1-120	N/A
	Four-Socket Relay	ZL-RLS4-120	
24VDC Transorb	8-Channel	ZL-TSD8-24	N/A
120VAC Transorb	8-Channel	ZL-TSD8-24	N/A
D-Sub Feedthrough	9-pin Male & Female D-Subs to Terminal Blocks	ZL-RTB-DB09	ZL-DB9-CBL-2
	15-pin Male & Female D-Subs to Terminal Blocks	ZL-RTB-DB15	ZL-DB15-CBL-2
	25-pin Male & Female D-Subs to Terminal Blocks	ZL-RTB-DB25	ZL-DB25-CBL-2
RJ12 Feedthrough	6-pin RJ12 to Terminal Block	ZL-RTB-RJ12	ZL-RJ12-CBL-2
Comm Port Adapters	15-pin HD D-Sub to Terminal Block	ZL-CMA15	N/A
	15-pin HD D-Sub to Terminal Block with LED Indicators	ZL-CMA15L	N/A
Comm Distribution	4-Port RJ12 to Terminal Block	ZL-CDM-RJ12X4	N/A
	10-Port RJ12 to Terminal Block	ZL-CDM-RJ12X10	N/A
Feedthrough Module (SureServo I/O)	50-pin to Terminal Blocks	ZL-RTB50	ZL-SVC-50CBL *

* Select the cable length by replacing the * with: Blank = 0.5m, -1 = 1.0m, or -2 = 2.0m





Connector Modules to 3rd Party Devices

ZIPLink Connector Modules to 3rd Party Devices Selector			
ZIPLink			
Module	Type	Module Part No.	Pigtail Cable Part No. (optional)
Feedthrough Connector	24-pin to Terminal Blocks	ZL-RTB20	ZL-CBL24-1P
			ZL-CBL24-2P
	40-pin to Terminal Blocks	ZL-RTB40	ZL-CBL40-1P
			ZL-CBL40-2P
	50-pin to Terminal Blocks	ZL-RTB50	ZL-CBL50-1P
			ZL-CBL50-2P
Fuse	16-Fuse, 24-pin	ZL-RFU20	ZL-CBL24-1P
			ZL-CBL24-2P
	32-Fuse, 40-pin	ZL-RFU40	ZL-CBL40-1P
			ZL-CBL40-2P
24VDC Powered Relay	16-Relay, Sinking, 24-pin	ZL-RRL16-24-1	ZL-CBL24-1P
			ZL-CBL24-2P
	16-Relay, Sourcing, 24-pin	ZL-RRL16-24-2	ZL-CBL24-1P
			ZL-CBL24-2P
Sensor Input	16-Point with LEDs	ZL-LTB16-24	ZL-CBL24-1P
			ZL-CBL24-2P
	32-Point with LEDs	ZL-LTB32-24	ZL-CBL40-1P
			ZL-CBL40-2P
D-Sub Feedthrough	9-pin D-Sub to Terminal Block	ZL-RTB-DB09	ZL-DB9F-CBL-2P
			ZL-DB9F-CBL-5P

