

DURAPULSE GS20(X) AC Drives – Introduction



DURAPULSE GS20(X) AC Drives													
Motor Rating	HP	1/4	1/2	1	2	3	5	7.5	10	15	20	30	
	kW	0.2	0.4	0.75	1.5	2.2	3.7	5.5	7.5	11	15	18.5	22
120V Single-phase		✓	✓	✓									
230V Single-phase		✓	★	★	★	★							
230V Three-phase		✓	★	★	★	★	★	★	✓	✓	✓		
460V Three-phase			★	★	★	★	★	★	✓	✓	✓	✓	✓
575V Three phase				✓	✓	✓	✓	✓	✓				

✓ = GS20 model available ★ = GS20 and GS20X models available

Overview

The DuraPulse GS20(X) new generation high performance vector control drives provide many standard and advanced functions—all in a compact unit that has been reduced 40% in size. A NEMA 4X version provides service in the harshest of environments.

The drives include many of the same standard features as our GS family of drives including dynamic braking, PID, removable keypad, and RS-485 Modbus communication.

The GS20(X) drive expands the DURAPULSE family by adding single-phase input capability (ALL 230VAC drives can be supplied single-phase), a built-in PLC, and optional EtherNet/IP and ModbusTCP communication card. The drive supports up to four (4) independent IM motor parameter sets or supports control of a single AC PM motor.

DURAPULSE GS20(X) AC drives offer several different speed control modes: standard V/Hz with pulse input feedback, sensorless vector (SVC) for Induction Motors (IM) and Permanent Motors (PM), and ultra precise Field Oriented Vector control (FOC) for maximum open loop speed regulation control.

DURAPULSE GS20(X) offers two analog inputs, one analog output, one frequency output, seven digital inputs (including one pulse train input up to 33kHz), two digital outputs, one SPDT relay output, and two STO inputs. All of the analog and digital I/O can be configured for a wide variety of input or output functions. One option card slot is available for either the backup control power option card or Ethernet/IP and Modbus TCP communication option card.

Features

- Broad offering from 1/4 to 30 hp
- NEMA 4X available up to 10hp
- Single-phase 120VAC up to 1hp
- Single-phase/three-Phase 230VAC up to 20HP
- Three-phase 460VAC and 575VAC
- Single-phase UL Ratings – 230VAC input for 1 to 20 hp models (see selection tables for derated output)
- Dual rating design – CT/VT Ratings (Light & Heavy Duty)
- “Zero Stack” side-by-side zero gap installation
- Compact Design
- Spring clamp terminal blocks
- Speed control potentiometer built in
- Flexible carrier frequency to 15khz and output frequency to 600Hz
- STO – Safe Torque Off (TUV Certified)
- Built-in PLC to support up to 2K steps
- Built-in USB port for fast & easy programming
- Free downloadable software for drive configuration and PLC programming
- Field-upgradable firmware (drive & communication option card)
- Optional LCD text-based advanced keypad (IP66/NEMA 1) can be remotely mounted
- Local/Remote control mode selection or digital/comm input with Hand/Off/Auto control
- Display custom values on keypad
- Momentary power loss restarts
- 100kA Short Circuit Current Rating
- DC Bus Connection Terminals (except 120VAC models)
- Conduit Box(s) for NEMA 1
- Analog I/O – configurable 2 Inputs and 1 Output
- Multi-Motor Control (4 total)
- Built-in Dynamic Braking – optional resistors
- PID Controller – including sleep and wake
- Password protection
- RTD and/or PTC input motor protection
- GS2 mode duplicates exact parameter configuration of GS2
- Modularized design eases maintenance and expansion, including quick replacement of cooling fan
- High speed communication interfaces

- with MODBUS RTU built in, with optional EtherNet/IP and ModbusTCP Communication Card
- Circuit boards have conformal coating for improved environmental tolerance
- Excellent heat-sink design; able to operate at 50°C ambient temperature
- Fire Mode – Run fire mode during emergencies to have uninterrupted smoke removal and system pressure
- Two-year warranty
- CE, TUV, UL, cUL

Accessories

- AC line reactors
- dV/dT output filters
- EMI filters
- RF filter
- Braking resistors
- Fuses
- Conduit boxes
- Mounting Kits
- Replacement cooling fans
- Replacement keypad
- Extension cable for remote keypad placement
- Optional advanced LCD keypad (and remote-mount bezel kit)
- EtherNet/IP and ModbusTCP comm card
- Four and eight-port RS-485 multi-drop termination boards
- GSoft2 drive configuration software
- GSLogic PLC programming software
- Type A to B USB cable
- Detailed descriptions and specifications for GS accessories are available in the “GS/ DURAPulse Accessories” section.

Typical Applications

- Conveyors
- Compressors
- Material handling
- Extruding
- Grinding
- Shop tools
- Fans
- Pumps
- HVAC
- Mixing

DURAPULSE GS20(X) AC Drives – Selection

Selecting the Proper Drive Rating

Selecting the Proper Drive Rating																			
Determine Motor Voltage and Full-Load Amperage (FLA)																			
Motor voltage and FLA are located on the nameplate of the motor. NOTE: FLA of motors that have been rewound may be higher than stated.																			
Determine Motor Overload Requirements																			
Many applications experience temporary overload conditions due to starting requirements or impact loading. Most AC drives are designed to operate at 150% overload for 60 seconds. If the application requires an overload greater than 150% or longer than 60 seconds, the AC drive must be oversized. NOTE: Applications that require replacement of existing motor starters with AC drives may require up to 600% overload.																			
Determine Application Type: Constant Torque or Variable Torque																			
This torque requirement has a direct effect on which drive to select. Variable Torque applications are generally easier to start; typically fans and pumps. Most other applications outside fans and pumps fall into the Constant Torque category (machine control, conveyors, etc.). If you are unsure of the application, assume Constant Torque. The specification, derating, and selection tables are generally segregated by Constant Torque and Variable Torque.																			
Installation Altitude																			
AC drives rely on air flow for cooling. As the altitude increases, the air becomes less dense, and this drop in air density decreases the cooling properties of the air. Therefore, the AC drive must be oversized to compensate for the decrease in cooling. GS20(X) drives are designed to operate at 100% capacity at altitudes up to 1000 meters. NOTE: For use above 1000m, the AC drive must be derated as described below.																			
Derate Output Current Based on Altitude Above 1000 Meters																			
<ul style="list-style-type: none"> • If the AC drive is installed at an altitude of 0–1000m, follow normal operation restrictions. • If installed at an altitude of 1000–2000m, decrease 1% of the rated current or lower 0.5°C of temperature for every 100m increase in altitude. • Maximum altitude for Corner Grounded is 2000m. If installation at an altitude higher than 2000m is required, please contact AutomationDirect. 																			
<p>Derating for Altitude</p> <table border="1"> <caption>Derating for Altitude Data</caption> <thead> <tr> <th>Altitude (m)</th> <th>Current Rated Ratio (%) - 50°C (IP20/UL Open Type)</th> <th>Current Rated Ratio (%) - 40°C (IP66/NEMA 4X/UL Type 4X)</th> </tr> </thead> <tbody> <tr> <td>0</td> <td>100</td> <td>100</td> </tr> <tr> <td>1000</td> <td>100</td> <td>100</td> </tr> <tr> <td>1500</td> <td>95</td> <td>95</td> </tr> <tr> <td>2000</td> <td>90</td> <td>90</td> </tr> <tr> <td>2000</td> <td>90</td> <td>70</td> </tr> </tbody> </table>		Altitude (m)	Current Rated Ratio (%) - 50°C (IP20/UL Open Type)	Current Rated Ratio (%) - 40°C (IP66/NEMA 4X/UL Type 4X)	0	100	100	1000	100	100	1500	95	95	2000	90	90	2000	90	70
Altitude (m)	Current Rated Ratio (%) - 50°C (IP20/UL Open Type)	Current Rated Ratio (%) - 40°C (IP66/NEMA 4X/UL Type 4X)																	
0	100	100																	
1000	100	100																	
1500	95	95																	
2000	90	90																	
2000	90	70																	

DURAPULSE GS20(X) AC Drives – Selection

Selecting the Proper Drive Rating, continued

Determine Maximum Enclosure Internal Temperature

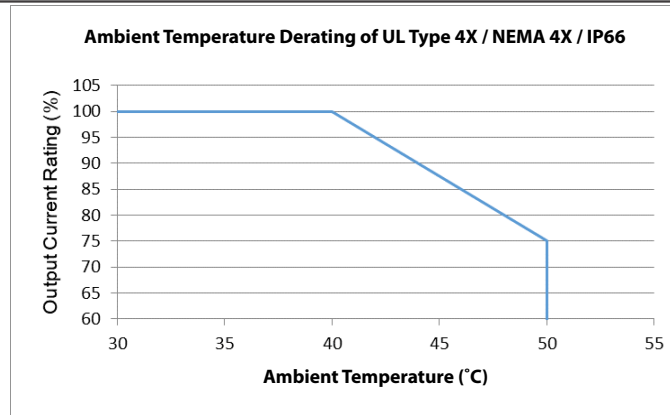
AC drives generate a significant amount of heat and can cause the internal temperature of an enclosure to exceed the rating of the GS20(X) drive, even when the ambient temperature is less than 104°F (40°C). Enclosure ventilation and/or cooling may be required to reduce maximum internal temperature to 104°F (40°C) or less. Ambient temperature measurements/calculations should be made for the maximum expected temperature.

NOTE: For use above 104°F (40°C), the AC drive must be derated as described below.

Derate Output Current Based on Temperature Above 104°F (40°C) or 122°F (50°C)

Drive Derating by Temperature and Protection Level	
Protection Level	Derating
UL Open Type / IP20*	When the GS20(X) drive is operating at rated current, the ambient temperature has to be between -10°C and +50°C. When ambient temperature exceeds 50°C, decrease the rated current by 2.5% for every 1°C temperature increase. Maximum allowable temperature is 60°C.
UL Type 4X / NEMA 4X / IP66*	When the GS20(X) drive is operating at rated current, the ambient temperature has to be between -10°C and +40°C. When ambient temperature exceeds 40°C, decrease the rated current by 2.5% for every 1°C temperature increase. Maximum allowable temperature is 50°C.

* For more information about environmental ratings, refer to the "Operating Temperature and Protection Level" table (pg.tGSX-19).



DURAPULSE GS20(X) AC Drives – Selection

Selecting the Proper Drive Rating, continued

Derate Output Current Based on Carrier Frequency (if necessary)	
Carrier Frequency Effects	
<p>AC Drives rectify the incoming 50 or 60Hz line power resulting in DC power at 0Hz. The resulting DC power is then pulse-width modulated and supplied to the motor by the drive's power electronics. IGBTs invert the DC power, simulating a sine wave at the desired frequency (that's what allows variable speed in AC induction motors). The speed at which the IGBTs are turned ON and OFF is called Carrier Frequency. In GS20(X) drives, the Carrier Frequency can range from 2kHz to 15kHz. Though Carrier Frequency can be adjusted, there are trade-offs between high Carrier Frequencies and low Carrier Frequencies.</p>	
Benefits of Higher Carrier Frequencies:	
<ul style="list-style-type: none"> • Better efficiency (lower harmonic losses) in the motor • Lower audible noise 	
Benefits of Lower Carrier Frequencies:	
<ul style="list-style-type: none"> • Better efficiency in the drive • Lower EMI (electrical noise) • Reduced reflective wave peak voltage <p>As a general rule, the Carrier Frequency should be set as low as possible without creating unacceptable audible noise in the motor. Smaller systems can have higher Carrier Frequencies, but larger drives (>20 or 30hp) should not have Carrier Frequencies set higher than 6kHz. Heavy duty applications typically run around 2–4 kHz.</p>	
Derating Tables	
<p>The tables below show the derating curves for both GS20 and GS20X drives running in two different modes under variable torque and constant torque conditions.</p> <p>Line 1: Ta = 50°C / Load = 100% Line 2: Ta = 50°C / Load = 75% or Ta = 40°C / Load = 100% Line 3: Ta = 50°C / Load = 50% or Ta = 35°C / Load = 100%</p> <p>SVPWM = Space Vector Pulse Width Modulation mode DPWM = Two Phase Pulse Width Modulation mode</p>	
Variable Torque Carrier Frequency Derating	
SVPWM Mode	DPWM Mode
<p>A line graph showing Output Current Rating (%) on the y-axis (20 to 110) versus Carrier Frequency (kHz) on the x-axis (2 to 15). Two curves are shown: Line 1 (blue) and Line 2 (orange). Line 1 starts at 100% at 2 kHz and decreases to approximately 30% at 15 kHz. Line 2 starts at 100% at 4 kHz and decreases to approximately 40% at 15 kHz.</p>	<p>A line graph showing Output Current Rating (%) on the y-axis (20 to 110) versus Carrier Frequency (kHz) on the x-axis (2 to 15). Two curves are shown: Line 1 (blue) and Line 2 (orange). Line 1 starts at 100% at 4 kHz and decreases to approximately 40% at 15 kHz. Line 2 starts at 100% at 6 kHz and decreases to approximately 55% at 15 kHz.</p>
Constant Torque Carrier Frequency Derating	
SVPWM Mode	DPWM Mode
<p>A line graph showing Output Current Rating (%) on the y-axis (20 to 110) versus Carrier Frequency (kHz) on the x-axis (2 to 15). Three curves are shown: Line 1 (blue), Line 2 (orange), and Line 3 (grey). Line 1 starts at 100% at 4 kHz and decreases to approximately 35% at 15 kHz. Line 2 starts at 100% at 5 kHz and decreases to approximately 45% at 15 kHz. Line 3 starts at 100% at 6 kHz and decreases to approximately 55% at 15 kHz.</p>	<p>A line graph showing Output Current Rating (%) on the y-axis (20 to 110) versus Carrier Frequency (kHz) on the x-axis (2 to 15). Three curves are shown: Line 1 (blue), Line 2 (orange), and Line 3 (grey). Line 1 starts at 100% at 6 kHz and decreases to approximately 55% at 15 kHz. Line 2 starts at 100% at 8 kHz and decreases to approximately 65% at 15 kHz. Line 3 starts at 100% at 10 kHz and decreases to approximately 75% at 15 kHz.</p>

DURAPULSE GS20(X) AC Drives – Selection

Replacing GS2 with GS20

If using the GS20 as a replacement for existing GS2 drives, review the following requirements to ensure compatibility.

- Use the chart below to match the GS2 model with equivalent GS20 model.
- Only models specified in chart below allow “GS2-mode” parameter setup.
- 230V GS2 models using single-phase input power should be replaced with GS21 single-phase input models for equivalent power output. See chart below.
- Some GS20 models can be up to 12mm deeper than prior GS2 models. Check depth dimensions if depth is tight in existing panel space.
- GS2 and GS20 footprints do not match. New mounting holes will be required.
- GS2 has top entry power vs GS20 bottom entry power. Use GS20A-MPx accessory for top entry.
- GS2 has 2 relay outputs vs GS20 1 relay output and 2 transistor outputs.
- GS20 control wire terminal accepts 18 AWG maximum.
- See GS20 fusing chart for required fuse changes.
- If remote mounting a keypad, GS2 keypad is larger than GS20 keypad.



Replace this GS2 . . .



. . . with this GS20

GS2 Model	GS2 Input Amp Rating	GS2 Fuse Rating	GS2 Output VT Amp Rating	Compatible GS20 Model	GS20 Input Amp Rating	GS20 Fuse Rating	GS20 Output VT Amp Rating
GS2-10P2	6.0	20	1.6	GS21-10P2	6.8	10	1.8
GS2-10P5	9.0	20	2.5	GS21-10P5	10.1	10	2.7
GS2-11P0	16.0	20	4.2	GS21-11P0	20.6	25	5.5
GS2-20P5 (1PH)	6.3	20	2.5	GS21-20P5	8.3	15	3.2
GS2-20P5 (3PH)	3.2	10	2.5	GS23-20P5	3.8	15	3.2
GS2-21P0 (1PH)	11.5	30	5.0	GS21-21P0	11.3	20	5.0
GS2-21P0 (3PH)	6.3	20	5.0	GS23-21P0	6.0	20	5.0
GS2-22P0 (1PH)	15.7	45	7.0	GS21-22P0	18.5	35	8.5
GS2-22P0 (3PH)	9.0	25	7.0	GS23-22P0	9.6	35	8.5
GS2-23P0 (1PH)	27.0	60	10.0	GS21-23P0	27.5	50	12.5
GS2-23P0 (3PH)	12.5	40	10.0	GS23-23P0	15.0	50	12.5
GS2-25P0	19.6	60	17.0	GS23-25P0	23.4	80	19.5
GS2-27P5	28.0	100	25.0	GS23-27P5	32.4	60	27.0
GS2-41P0	4.2	10	3.0	GS23-41P0	3.3	15	3.0
GS2-42P0	5.7	15	4.0	GS23-42P0	5.1	20	4.6
GS2-43P0	6.0	20	5.0	GS23-43P0	7.2	25	6.5
GS2-45P0	8.5	30	8.2	GS23-45P0	11.6	45	10.5
GS2-47P5	14.0	50	13.0	GS23-47P5	17.3	35	15.7
GS2-4010	23.0	70	18.0	GS23-4010	22.6	45	20.5
GS2-51P0	2.4	6	1.7	GS23-51P0	2.4	6	2.1
GS2-52P0	4.2	10	3.0	GS23-52P0	4.2	10	3.6
GS2-53P0	5.9	15	4.2	GS23-53P0	5.8	10	5.0
GS2-55P0	7.0	15	6.6	GS23-55P0	9.3	20	8.0
GS2-57P5	10.5	20	9.9	GS23-57P5	13.4	25	11.5
GS2-5010	12.9	30	12.2	GS23-5010	17.5	30	15.0

DURAPULSE GS20(X) AC Drives – Selection Specifications

GS20(X) Drive Model Selection Tables

GS20 120V ¹ 1-Phase Specifications – Frame Sizes A, C							
Model Name		GS21-10P2		GS21-10P5		GS21-11P0	
Price							
Frame Size		A		A		C	
Output Rating	Max Motor Output	hp	1/4	1/2	1		
		kW	0.2	0.4	0.75		
	CT	Rated Output Capacity	kVA	0.6	1	1.8	
		Rated Output Current	A	1.6	2.5	4.8	
		Carrier Frequency ³	kHz	2–15 (default 4)			
	VT	Rated Output Capacity	kVA	0.7	1	2.1	
Rated Output Current		A	1.8	2.7	5.5		
Carrier Frequency ³		kHz	2–15 (default 4)				
Input Rating ²	CT	Rated Input Current	A	6	9.4	18	
	VT	Rated Input Current	A	6.8	10.1	20.6	
	Rated Voltage/Frequency		One-phase: 100–120 VAC (-15% to +10%), 50/60 Hz				
	Operating Voltage Range (VAC)		85–132				
Frequency Tolerance (Hz)		47–63					
Weight (kg [lb])		0.65 [1.43]		0.74 [1.63]		1.24 [2.73]	
Cooling Method		Convective				Fan	
IP Rating		IP20					
<p>1 - For Use With Three-Phase Motors Only.</p> <p>2 - If 3-phase power source is non-symmetrical, refer to “Circuit Connections – RFI Jumper” in the GS20(X) AC Drives User Manual, Chapter 2. Please refer to “GS20(X) DURApulse Accessories – Fusing” (pg.tGSX-41) for input fusing information.</p> <p>3 - The value of the carrier frequency is a factory default. Decrease the current value if you need to increase the carrier frequency. Refer to “Derate Output Current Based on Carrier Frequency (if necessary)”.</p>							

GS20 230V ¹ 1-Phase Specifications – Frame Sizes A, B, C												
Model Name		GS21-20P2		GS21-20P5		GS21-21P0		GS21-22P0		GS21-23P0		
Price												
Frame Size		A		A		B		C		C		
Output Rating	Max Motor Output	hp	1/4	1/2	1	2	3					
		kW	0.2	0.4	0.75	1.5	2.2					
	CT	Rated Output Capacity	kVA	0.6	1.1	1.8	2.9	4.2				
		Rated Output Current	A	1.6	2.8	4.8	7.5	11				
		Carrier Frequency ³	kHz	2–15 (default 4)								
	VT	Rated Output Capacity	kVA	0.7	1.2	1.9	3.2	4.8				
Rated Output Current		A	1.8	3.2	5	8.5	12.5					
Carrier Frequency ³		kHz	2–15 (default 4)									
Input Rating ²	CT	Rated Input Current	A	5.1	7.3	10.8	16.5	24.2				
	VT	Rated Input Current	A	5.8	8.3	11.3	18.5	27.5				
	Rated Voltage/Frequency		One-phase 200-240 VAC (-15% to +10%) 50/60 Hz									
	Operating Voltage Range (VAC)		170–265									
Frequency Tolerance (Hz)		47–63										
Weight (kg [lb])		0.65 [1.43]		0.76 [1.68]		0.95 [2.09]		1.24 [2.73]		1.24 [2.73]		
Cooling Method		Convective						Fan				
IP Rating		IP20										
<p>1 - For Use With Three-Phase Motors Only.</p> <p>2 - If 3-phase power source is non-symmetrical, refer to “Circuit Connections – RFI Jumper” in the GS20(X) AC Drives User Manual, Chapter 2. Please refer to “GS20(X) DURApulse Accessories – Fusing” (pg.tGSX-41) for input fusing information.</p> <p>3 - The value of the carrier frequency is a factory default. Decrease the current value if you need to increase the carrier frequency. Refer to “Derate Output Current Based on Carrier Frequency (if necessary)”.</p>												

DURAPULSE GS20(X) AC Drives – Selection Specifications

GS20(X) Drive Model Selection Tables, continued

GS20 230V ¹ 3-Phase Specifications – Frame Sizes A, B, C								
Model Name		GS23-20P2	GS23-20P5	GS23-21P0	GS23-22P0	GS23-23P0		
Price								
Frame Size		A	A	A	B	C		
Output Rating	Max Motor Output (3-phase [1-phase]) ⁴	hp	0.25 [0.1]	0.5 [0.25]	1 [0.5]	2 [1]	3 [1.5]	
		kW	0.2 [0.1]	0.4 [0.2]	0.75 [0.375]	1.5 [0.75]	2.2 [1.1]	
	CT	Rated Output Capacity (3-phase [1-phase])	kVA	0.6 [0.3]	1.1 [0.55]	1.8 [0.9]	2.9 [1.5]	4.2 [2.1]
		Rated Output Current (3-phase [1-phase])	A	1.6 [0.8]	2.8 [1.4]	4.8 [2.4]	7.5 [3.75]	11 [5.5]
		Carrier Frequency ³	kHz	2–15 (default 4)				
	VT	Rated Output Capacity	kVA	0.7	1.2	1.9	3	4.8
Rated Output Current		A	1.8	3.2	5	8	12.5	
Carrier Frequency ³		kHz	2–15 (default 4)					
Input Rating ²	CT	Rated Input Current	A	1.9	3.4	5.8	9	13.2
	VT	Rated Input Current	A	2.2	3.8	6	9.6	15
	Rated Voltage/Frequency		3-phase or 1-phase 200–240 VAC (-15% to +10%), 50/60 Hz					
	Operating Voltage Range (VAC)		170–265					
Frequency Tolerance (Hz)		47–63						
Weight (kg [lb])		0.65 [1.43]	0.65 [1.43]	0.81 [1.79]	1.05 [2.31]	1.24 [2.73]		
Cooling Method		Convective			Fan			
IP Rating		IP20						
See table below for notes.								

GS20 230V ¹ 3-Phase Specifications – Frame Sizes C, D, E, F								
Model Name		GS23-25P0	GS23-27P5	GS23-2010	GS23-2015	GS23-2020		
Price								
Frame Size		C	D	E	E	F		
Output Rating	Max Motor Output (3-phase [1-phase]) ⁴	hp	5 [2.5]	7.5 [3.5]	10 [5]	15 [7.5]	20 [10]	
		kW	3.7 [1.85]	5.5 [2.75]	7.5 [3.75]	11 [5.5]	15 [7.5]	
	CT	Rated Output Capacity (3-phase [1-phase])	kVA	6.5 [3.25]	9.5 [4.75]	12.6 [6.3]	18.7 [9.35]	24.8 [12.4]
		Rated Output Current (3-phase [1-phase])	A	17 [8.5]	25 [12.5]	33 [16.5]	49 [24.5]	65 [32.5]
		Carrier Frequency ³	kHz	2–15 (default 4)				
	VT	Rated Output Capacity	kVA	7.4	10.3	13.7	19.4	26.3
Rated Output Current		A	19.5	27	36	51	69	
Carrier Frequency ³		kHz	2–15 (default 4)					
Input Rating ²	CT	Rated Input Current	A	20.4	30	39.6	58.8	78
	VT	Rated Input Current	A	23.4	32.4	43.2	61.2	82.8
	Rated Voltage/Frequency		3-phase or 1-phase 200–240 VAC (-15% to +10%), 50/60 Hz					
	Operating Voltage Range (VAC)		170–265					
Frequency Tolerance (Hz)		47–63						
Weight (kg [lb])		1.24 [2.73]	2.07 [4.56]	3.97 [8.75]	3.97 [8.75]	6.25 [13.78]		
Cooling Method		Fan						
IP Rating		IP20						
<p>1 - For Use With Three-Phase Motors Only.</p> <p>2 - If 3-phase power source is non-symmetrical, refer to “Circuit Connections – RFI Jumper” in the GS20(X) AC Drives User Manual, Chapter 2. Please refer to “GS20(X) DURApulse Accessories – Fusing” (pg.tGSX-41) for input fusing information.</p> <p>3 - The value of the carrier frequency is a factory default. Decrease the current value if you need to increase the carrier frequency. Refer to “Derate Output Current Based on Carrier Frequency (if necessary)”.</p> <p>4 - Three phase models can be powered with 1-phase or 3-phase input power. If using 1-phase input power, GS21 models up to 3HP provide higher output power than equivalent GS23 models with 1-phase.</p>								

DURAPULSE GS20(X) AC Drives – Selection Specifications

GS20(X) Drive Model Selection Tables, continued

GS20 460V ¹ 3-Phase Specifications – Frame Sizes A, B, C								
Model Name			GS23-40P5	GS23-41P0	GS23-42P0	GS23-43P0	GS23-45P0	
Price								
Frame Size			A	A	B	C	C	
Output Rating	Max Motor Output	hp	1/2	1	2	3	5	
		kW	0.4	0.75	1.5	2.2	3.7	
	CT	Rated Output Capacity	kVA	1.1	2.1	3.2	4.2	6.9
		Rated Output Current	A	1.5	2.7	4.2	5.5	9
		Carrier Frequency ³	kHz	2–15 (default 4)				
	VT	Rated Output Capacity	kVA	1.4	2.3	3.5	5	8
Rated Output Current		A	1.8	3	4.6	6.5	10.5	
Carrier Frequency ³		kHz	2–15 (default 4)					
Input Rating ²	CT	Rated Input Current	A	1.7	3	5.6	6.1	9.9
	VT	Rated Input Current	A	2	3.3	5.1	7.2	11.6
	Rated Voltage/Frequency		Three-phase 380–480 VAC (-15% to +10%), 50/60 Hz					
	Operating Voltage Range (VAC)		323–528					
	Frequency Tolerance (Hz)		47–63					
Weight (kg [lb])			0.75 [1.65]	0.81 [1.79]	1 [2.20]	1.24 [2.73]	1.24 [2.73]	
Cooling Method			Convective			Fan		
IP Rating			IP20					
<p>1 - For Use With Three-Phase Motors Only.</p> <p>2 - If 3-phase power source is non-symmetrical, refer to “Circuit Connections – RFI Jumper” in the GS20(X) AC Drives User Manual, Chapter 2. Please refer to “GS20(X) DURApulse Accessories – Fusing” (pg.tGSX-41) for input fusing information.</p> <p>3 - The value of the carrier frequency is a factory default. Decrease the current value if you need to increase the carrier frequency. Refer to “Derate Output Current Based on Carrier Frequency (if necessary)”.</p>								

GS20 460V ¹ 3-Phase Specifications – Frame Sizes D, E, F									
Model Name			GS23-47P5	GS23-4010	GS23-4015	GS23-4020	GS23-4025	GS23-4030	
Price									
Frame Size			D	D	E	E	F	F	
Output Rating	Max Motor Output	hp	7 1/2	10	15	20	25	30	
		kW	5.5	7.5	11	15	18.5	22	
	CT	Rated Output Capacity	kVA	9.9	13	19.1	24.4	29	34.3
		Rated Output Current	A	12	17	25	32	38	45
		Carrier Frequency ³	kHz	2–15 (default 4)					
	VT	Rated Output Capacity	kVA	12	15.6	21.3	27.4	31.6	37.3
Rated Output Current		A	15.7	20.5	28	36	41.5	49	
Carrier Frequency ³		kHz	2–15 (default 4)						
Input Rating ²	CT	Rated Input Current	A	14.3	18.7	27.5	35.2	41.8	49.5
	VT	Rated Input Current	A	17.3	22.6	30.8	39.6	45.7	53.9
	Rated Voltage/Frequency		Three-phase 380–480 VAC (-15% to +10%), 50/60 Hz						
	Operating Voltage Range (VAC)		323–528						
Frequency Tolerance (Hz)		47–63							
Weight (kg [lb])			2.07 [4.56]	2.07 [4.56]	3.97 [8.75]	3.97 [8.75]	6.25 [13.78]	6.25 [13.78]	
Cooling Method			Fan						
IP Rating			IP20						
<p>1 - For Use With Three-Phase Motors Only.</p> <p>2 - If 3-phase power source is non-symmetrical, refer to “Circuit Connections – RFI Jumper” in the GS20(X) AC Drives User Manual, Chapter 2. Please refer to “GS20(X) DURApulse Accessories – Fusing” (pg.tGSX-41) for input fusing information.</p> <p>3 - The value of the carrier frequency is a factory default. Decrease the current value if you need to increase the carrier frequency. Refer to “Derate Output Current Based on Carrier Frequency (if necessary)”.</p>									

DURAPULSE GS20(X) AC Drives – Selection Specifications

GS20(X) Drive Model Selection Tables, continued

GS20 575V ¹ 3-Phase Specifications – Frame Sizes A, B, C, D									
Model Name			GS23-51P0	GS23-52P0	GS23-53P0	GS23-55P0	GS23-57P5	GS23-5010	
Price									
Frame Size			A	B	C	C	D	D	
Output Rating	Max Motor Output	hp	1	2	3	5	7 1/2	10	
		kW	0.75	1.5	2.2	3.7	5.5	7.5	
	CT	Rated Output Capacity	kVA	1.7	3	4.2	6.6	9.9	12.2
		Rated Output Current	A	1.7	3	4.2	6.6	9.9	12.2
		Carrier Frequency ³	kHz	2–15 (default 4)					
	VT	Rated Output Capacity	kVA	2.1	3.6	5	8	11.5	15
Rated Output Current		A	2.1	3.6	5	8	11.5	15	
Carrier Frequency ³		kHz	2–15 (default 4)						
Input Rating ²	CT	Rated Input Current	A	2	3.5	4.9	7.7	11.5	14.2
	VT	Rated Input Current	A	2.4	4.2	5.8	9.3	13.4	17.5
	Rated Voltage/Frequency		Three-phase 500–600 VAC (-15% to +10%), 50/60 Hz						
	Operating Voltage Range (VAC)		425–660						
Frequency Tolerance (Hz)		47–63							
Weight (kg [lb])			0.85 [1.87]	0.87 [1.92]	1.18 [2.60]	1.29 [2.84]	2.04 [4.50]	2.04 [4.50]	
Cooling Method			Convective		Fan				
IP Rating			IP20						
<p>1 - For Use With Three-Phase Motors Only.</p> <p>2 - If 3-phase power source is non-symmetrical, refer to "Circuit Connections – RFI Jumper" in the GS20(X) AC Drives User Manual, Chapter 2. Please refer to "GS20(X) DURApulse Accessories – Fusing" (pg.tGSX-41) for input fusing information.</p> <p>3 - The value of the carrier frequency is a factory default. Decrease the current value if you need to increase the carrier frequency. Refer to "Derate Output Current Based on Carrier Frequency (if necessary)".</p>									

GS20X 230V ¹ 1-Phase Specifications – Frame Sizes A, B							
Model Name			GS21X-20P5	GS21X-21P0	GS21X-22P0	GS21X-23P0	
Price							
Frame Size			A	A	A	B	
Output Rating	Max Motor Output	hp	1/2	1	2	3	
		kW	0.4	0.75	1.5	2.2	
	CT	Rated Output Capacity	kVA	1.1	1.7	2.9	4.2
		Rated Output Current	A	2.8	4.8	7.5	11
		Carrier Frequency ³	kHz	2–15 (default 4)			
	VT	Rated Output Capacity	kVA	1.2	1.9	3.2	4.8
Rated Output Current		A	3.2	5	8.5	12.5	
Carrier Frequency ³		kHz	2–15 (default 4)				
Input Rating ²	CT	Rated Input Current	A	7.3	10.8	16.5	24.2
	VT	Rated Input Current	A	8.3	11.3	18.5	27.5
	Rated Voltage/Frequency		One-phase 200–240 VAC (-15% to +10%), 50/60 Hz				
	Operating Voltage Range (VAC)		170–264				
Frequency Tolerance (Hz)		47–63					
Weight (kg [lb])			2.25 [4.96]	2.6 [5.73]	3.1 [6.83]	3.5 [7.72]	
Cooling Method			Convective			Fan	
IP Rating			IP66 / NEMA 4X				
<p>1 - For Use With Three-Phase Motors Only.</p> <p>2 - If 3-phase power source is non-symmetrical, refer to "Circuit Connections – RFI Jumper" in the GS20(X) AC Drives User Manual, Chapter 2. Please refer to "GS20(X) DURApulse Accessories – Fusing" (pg.tGSX-41) for input fusing information.</p> <p>3 - The value of the carrier frequency is a factory default. Decrease the current value if you need to increase the carrier frequency. Refer to "Derate Output Current Based on Carrier Frequency (if necessary)".</p>							

DURAPULSE GS20(X) AC Drives – General Specifications

GS20(X) Drive Model Selection Tables, continued

GS20(X) General Specifications (Applicable to All Models)			
Control Characteristics	Control Method	V/F, Sensorless Vector (SVC), Field Oriented Control (FOC) Sensorless, Volt/Frequency with Pulse Generator input (VFPG), Torque (TQC Sensorless)	
	Applicable Motor	3-phase AC Induction Motor, 3-phase Permanent Magnet AC motor	
	Starting Torque¹	150% / 3Hz 100% / (motor rated frequency/20) 200% / 0.5 Hz	(V/F, SVC control for IM, CT, rated) (SVC control for PM, CT, rated) (FOC control for IM, CT, rated)
	Torque Accuracy	± 15% TQC Sensorless	
	Torque Limits	120/230/460V	VT: 160% of output current, max CT: 180% of output current, max
		575V	200% of output current, max
	Speed Control Range¹	1: 50 (V/F, SVC control for IM, CT, rated) 1: 20 (SVC control for PM, CT, rated) 1: 100 (FOC control for IM, CT, rated)	
	Max. Output Frequency	0.00–599.00 Hz	
	Overload Capacity	VT: rated output current of 120% 60 sec, 150% 3 sec. CT: rated output current of 150% 60 sec, 200% 3 sec.	
	Frequency Setting Signal	0–10 V / -10–10 V 4–20 mA / 0–10 V 1 channel pulse input (33kHz), 1 channel pulse output (33kHz)	
	Digital Inputs	Seven (7) - 24VDC NPN or PNP, includes 1 pulse train frequency input 33kHz	
	Digital Outputs	Three (3) - (2)-48VDC, (1) Relay-250VAC/30VDC	
	Analog Inputs	Two (2) - (1) voltage, (1) selectable Voltage or Current	
	Analog Outputs	One (1) - selectable voltage or current	
	Frequency Output	One (1) - 30VDC, 33kHz	
	Safe Torque Off	STO1 and STO2 inputs- 24VDC	
Main Functions	Multiple motor switching (a maximum of four independent motor parameter settings), Fast start-up, Deceleration Energy Back (DEB) function, Wobble frequency function, Fast deceleration function, Master and Auxiliary frequency source selectable, Restart after momentary power loss, Speed tracking, Over-torque detection, 16-step speed (including the master speed), Accel./decel. time switch, S-curve accel./decel., three-wire operation control, JOG frequency, Frequency upper/lower limit settings, DC brake at start-up and stop, PID control, Built-in PLC (2000 steps), and Simple positioning function.		
	Application Macro	Built-in application parameter groups (selected by industry) and user-defined application parameter groups.	
Protection Characteristics	Motor Protection	Over-current, over-voltage, over-heating, phase loss.	
	Stall Prevention	Stall prevention during acceleration, deceleration, and running (independent settings).	
Accessory	Communication Card	GS20A-CM-ENETIP (EtherNet/IP and Modbus TCP)	
	External DC Power Supply	GS20A-BPS (24V power backup supply card)	
Agency Approvals	UL, CE, TUV (SIL 2), RoHS, REACH		
1: Control accuracy may vary depending on the environment, application conditions, or different motors. For more information, contact AutomationDirect.			

DURAPULSE GS20(X) AC Drives – Environmental Specifications

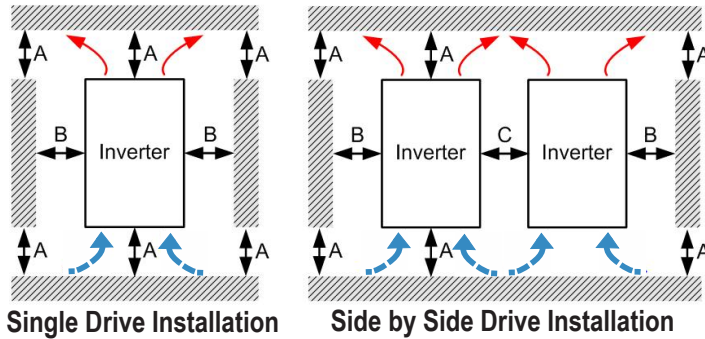
GS20(X) Environmental Specifications

Environmental Conditions for GS20 AC Drives			
Condition	Operation	Storage	Transportation
Installation Location	IEC 60364-1/ IEC 60664-1 Pollution degree 2, Indoor use only.	n/a	n/a
Ambient Temperature	IP20/UL Open Type: -20–50°C (-20–60°C w/derating)	-40–85°C	-20–70°C
	Non-condensing, non-freezing		
Relative Humidity	90%, no water condensation	95%, no water condensation	
Air Pressure	86–106 kPa	70–106 kPa	
Pollution Level	IEC 60721-3, concentrate prohibited		
	Class 3C2; Class 3S2	Class 2C2; Class 2S2	Class 1C2; Class 1S2
Environmental Air	No corrosive/inflammable gases permitted		
Altitude	<1000 m (For altitudes > 1000 m, derate to use it.)		
Package Drop	n/a	ISTA procedure 1A (according to weight) IEC 60068-2-31	
Vibration	1.0 mm, peak to peak value range from 2–13.2 Hz; 0.7–2.0 G range from 13.2–55 Hz; 2.0 G range from 55–512 Hz. Compliance with IEC 60068-2-6	2.5 G peak, 5 Hz–2 kHz 0.015" maximum displacement	
Impact	15G, 11ms Compliance with IEC/EN60068-2-27	30G	
DO NOT expose the GS20 AC Drive to harsh environments such as dust, direct sunlight, corrosive/flammable gases, humidity, liquid, or vibrations. The salts in the air must be less than 0.01 mg/cm² every year.			

Environmental Conditions for GS20X AC Drives			
Condition	Operation	Storage	Transportation
Installation Location	PCB design is compliant with IEC 60364-1 / IEC 60664-1 Pollution Degree 2. The outer case meets IP66 standard for indoor use. If the drive is for outdoor application, avoid direct sunlight.	n/a	n/a
Ambient Temperature	IP66 / NEMA 4X / UL Type 4X: -20–40°C (-20–50°C w/derating)	-40–85°C	-20–70°C
	Non-condensing, non-freezing		
Relative Humidity	0-100%, no water condensation	95%, no water condensation	
Air Pressure	86–106 kPa	70–106 kPa	
Pollution Level	IEC 60721-3, concentrate prohibited		
	Class 3C2; Class 3S2	Class 2C2; Class 2S2	Class 1C2; Class 1S2
Altitude	<1000m (For altitudes > 1000m, derate to use it.)		
Package Drop	n/a	ISTA procedure 1A (according to weight) IEC 60068-2-31	
Vibration	1.0 mm, peak to peak value range from 2–13.2 Hz; 0.7–2.0 G range from 13.2–55 Hz; 2.0 G range from 55–512 Hz; complies with IEC 60068-2-6.	2.5 G peak, 5 Hz–2 kHz 0.015" maximum displacement	
Impact	15G, 11ms Compliance with IEC/EN60068-2-27	30G	
DO NOT expose the GS20X AC Drive to harsh environments such as direct contact with chemical substance and solvent, and exposure to direct sunlight.			

DURAPULSE GS20(X) AC Drives Specifications – Air Flow and Power (Heat) Dissipation

Minimum Clearances and Air Flow for GS20 Series Drives



GS20 Minimum Mounting Clearances*					
Installation Method	A (mm)	B (mm)	C (mm)	Operation Temperature (°C)	
				Max (w/out derating)	Max (Derating)
Single drive installation	50	30	–	50	60
Side-by-side horizontal installation	50	30	30	50	60
Zero stack installation	50	30	0	40	50

* Failure to follow the minimum mounting clearances may cause the fan to malfunction and cause a heat dissipation problem.

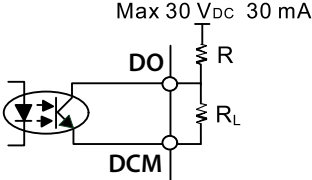
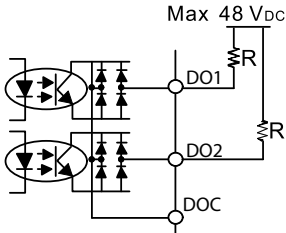
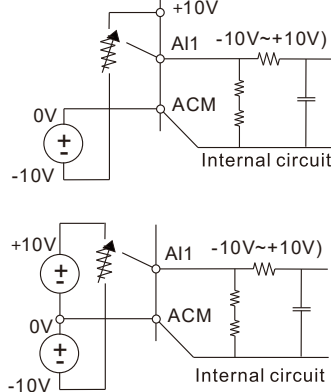
GS20 Airflow and Power Dissipation

Model Number	Frame Size	Airflow Rate for Cooling		Power Dissipation (Watts)		
		Flow Rate (cfm)	Flow Rate (m ³ /hr)	Loss External (Heat sink)	Internal	Total
GS21-10P2	A	0.0	0.0	8.0	10.0	18.0
GS21-10P5				14.2	13.1	27.3
GS21-11P0	C	16.0	27.2	29.1	23.9	53.0
GS21-20P2	A	0.0	0.0	8.0	10.3	18.3
GS21-20P5				16.3	14.5	30.8
GS21-21P0	B			29.1	20.1	49.2
GS21-22P0	C	16.0	27.2	29.1	23.9	53.0
GS21-23P0				70.0	35	105
GS23-2010	E	53.7	91.2	244.5	79.6	324.1
GS23-2015				374.2	86.2	460.4
GS23-2020	F	67.9	115.2	492.0	198.2	690.2
GS23-20P2	A	0.0	0.0	8.6	10.0	18.6
GS23-20P5				16.5	12.6	29.1
GS23-21P0				31.0	13.2	44.2
GS23-22P0	B	10.0	16.99	50.1	24.2	74.3
GS23-23P0	C	16.0	27.2	76.0	30.7	106.7
GS23-25P0				108.2	40.1	148.3
GS23-27P5	D	23.4	39.7	192.8	53.3	246.1
GS23-4010				164.7	55.8	220.5
GS23-4015	E	53.7	91.2	234.5	69.8	304.3
GS23-4020				319.8	74.3	394.1
GS23-4025	F	67.9	115.2	423.5	181.6	605.1
GS23-4030				501.1	200.3	701.4
GS23-40P5	A	10.0	16.99	17.6	11.1	28.7
GS23-41P0				30.5	17.8	48.3
GS23-42P0	B			45.9	21.7	67.6
GS23-43P0	C	16.0	27.2	60.6	22.8	83.4
GS23-45P0				93.1	42	135.1
GS23-47P5	D	23.4	39.7	132.8	39.5	172.3
GS23-5010				108.4	51	159.4
GS23-51P0	A	0.0	0.0	23.5	12.5	36
GS23-52P0	B	10.0	16.99	38.1	19	57.1
GS23-53P0	C	16.0	27.2	56.6	22.2	68.8
GS23-55P0				76.1	30	106.1
GS23-57P5	D	23.4	39.7	93.9	37	130.9

- Published flow rates are the result of active cooling using factory installed fans.
- Flow rates of (0.0) are the result of passive cooling in drives without fans.
- The required airflow shown in the chart is for installing a single GS20 drive in a confined space.
- When installing multiple GS20 drives, the required air volume would be the required air volume for a single GS20 drive multiplied by the number of GS20 drives.
- When calculating power dissipation (Watt Loss), use the Total value. Heat dissipation shown in the chart is for installing a single GS20 drive in a confined space.
- When installing multiple drives, the volume of heat/power dissipation should be the heat/power dissipated by a single GS20 drive multiplied by the number of GS20 drives.
- Heat dissipation for each model is calculated by rated voltage, current and default carrier frequency.

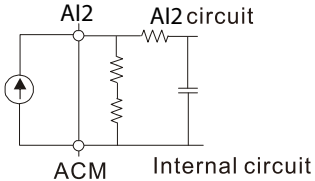
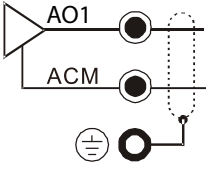
DURAPULSE GS20(X) AC Drives Specifications – Terminals

Control Circuit Terminal Names and Definitions

Control Circuit Terminals		
Terminal Symbol	Terminal Function	Description
+24V	Digital control signal common (Source)	+24V ± 10% 100mA
FWD (DI1) REV (DI2) DI3 - DI7	Digital input 1-7 	Refer to P02.01-02.07 to program the digital inputs FWD (DI1), REV (DI2), DI3-DI7. Source Mode: ON: activation current 3.3 mA ≥ 11VDC OFF: cut-off voltage ≤ 5VDC Sink Mode: ON: activation current 3.3 mA ≤ 13VDC OFF: cut-off voltage ≥ 19VDC <ul style="list-style-type: none"> When P02.00=0, FWD (DI1) and REV (DI2) can be programmed. When P02.00≠0, the functions of FWD (DI1) and REV (DI2) act according to P02.00 setting. When P02.07=0, DI7 is pulse input terminal. DI7 uses pulse input, and the maximum input frequency=33kHz. You can use it as frequency command source or connect it to the encoder for motor closed-loop control. DI7 motor closed-loop control only supports VFPG control mode.
DO	Digital frequency signal output	DO uses pulse voltage as an output monitoring signal; Duty-cycle: 50%
DCM	Digital control / Frequency signal common (Sink)	Min. load impedance RL: 1kΩ / 100pF Max. current endurance: 30 mA Max. voltage: 30VDC ± 1% (when 30VDC / 30mA / RL=100pF) Max. output frequency: 33kHz Current-limiting resistor R: ≥ 1KΩ Output load impedance RL Capacitive load ≤ 100pF Resistive load ≥ 1kΩ, resistance determines the output voltage value. DO-DCM voltage = external voltage * (RL / (RL+R))
DO1	Digital Output 1 (photo coupler)	<p>The AC motor drive outputs various monitoring signals, such as drive in operation, frequency reached, and overload indication through a transistor (open collector).</p> 
DO2	Digital Output 2 (photo coupler)	
DOC	Digital Output Common (photo coupler)	
R10	Relay Output 1 (N.O.)	Resistive Load <ul style="list-style-type: none"> 3A (N.O.) / 3A (N.C.) 250VAC 5A (N.O.) / 3A (N.C.) 30VDC Inductive Load (COS 0.4) <ul style="list-style-type: none"> 1.2 A (N.O.) / 1.2 A (N.C.) 250VAC 2.0 A (N.O.) / 1.2 A (N.C.) 30VDC To output different kinds of monitoring signals such as motor drive in operation, frequency reached, and overload indication.
R1C	Relay Output 1 (N.C.)	
R1	Relay Output 1 Common	
+10V	Potentiometer power supply	Power supply for analog frequency setting: +10.5 ± 0.5 VDC / 20mA
AI1	Analog voltage frequency command 	Impedance: 20kΩ Range: 0-10 V / -10-10 V = 0-Maximum Operation Frequency (P01.00) Mode switching by setting P03.00, P03.28 AI1 resolution=10 bits

DURAPULSE GS20(X) AC Drives Specifications – Terminals

Control Circuit Terminal Names and Definitions

Control Circuit Terminals (continued)			
Terminal Symbol	Terminal Function	Description	
AI2	Analog current frequency command 	Impedance: Current mode=250 Ω, Voltage mode=20kΩ Range: 0–20 mA / 4–20 mA / 0–10 V = 0–Maximum Operation Frequency (P01.00) Mode switching by setting P03.01, P03.29 Switch: The AI2 default is 0–20 mA / 4–20 mA (current mode) AI2 resolution = 12 bits	
AO1	Multi-function analog voltage output 	Switch: The AO1 default is 0–10 V (voltage mode). To switch to the current mode, two steps are required: 1. A dip switch must be configured (follow the instructions on the inner side of the front cover). 2. Change P03.31 to 1 or 2 (see Chapter 4 of the GS20(X) User Manual). Voltage mode Range: 0–10 V (P03.31=0) corresponds to the maximum operating range of the control target Max. output current: 2mA Max. Load: 5kΩ Current mode Range: 0–20 mA (P03.31=1) / 4–20 mA (P03.31=2) corresponds to the maximum operating range of the control target, maximum load 500Ω AO1 resolution=10 bits	
ACM	Analog Signal Common	Analog signal common terminal	
+24V (red)	STO 24V power terminal		
STO1, STO2 (red)	Default: STO1 / STO2 short-circuited to +24V Rated voltage: 24VDC ± 10 %; maximum voltage: 30VDC ± 10 % Rated current: 6.67 mA ± 10 % STO activation mode Input voltage level: 0VDC < STO1-SCM or STO2-SCM < 5VDC STO response time ≤ 20ms (STO1 / STO2 operates until the AC motor drive stops outputting current) STO cut-off mode Input voltage level: 11VDC < STO1-SCM and STO2-SCM < 30VDC Power removal safety function per EN 954-1 and IEC / EN 61508 Note: Refer to Chapter 17 SAFE TORQUE OFF FUNCTION for details.		
SCM (red)	STO Common - Signal Terminal		
SG+	Modbus RS-485		
SG-	Note: Refer to GS20(X) User Manual Chapter 4 Descriptions of Parameter Settings, Parameter Group 09: Communication Parameters for details.		
SGND			
RJ45	PIN 1, 2, 6: Reserved	PIN 3, 7: SGND	PIN 4: SG-
	PIN 5: SG+	PIN 8: +10V supply GS4-KPD (provides (optional) power supply)	

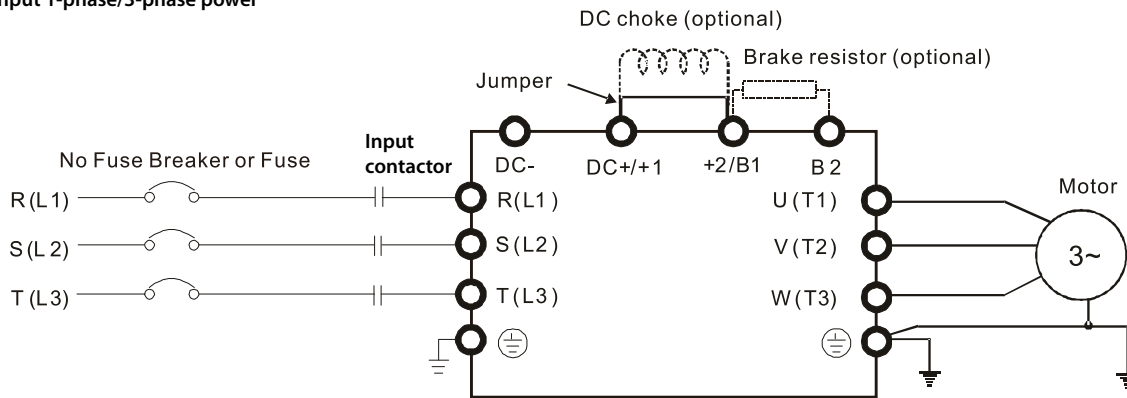
DURAPULSE GS20(X) AC Drives – Basic Wiring Diagram

Main Circuit Wiring Diagram: GS20(X) All Models

Note: Users MUST connect wiring according to the circuit diagram shown below. (Refer to GS20(X) User Manual for additional specific wiring information.)

Note: DC reactors (chokes) are specified but not stocked by AutomationDirect.

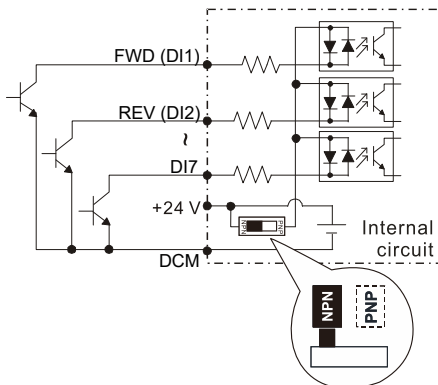
Input 1-phase/3-phase power



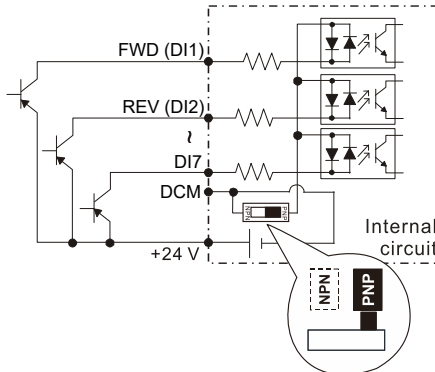
Control Circuit Wiring Diagram: Digital Inputs - Internal Power

Note: Users MUST connect wiring according to the control circuit diagram shown below. (Refer to GS20(X) User Manual for additional specific wiring information.)

① Sink Mode with internal power (+24 V_{DC})



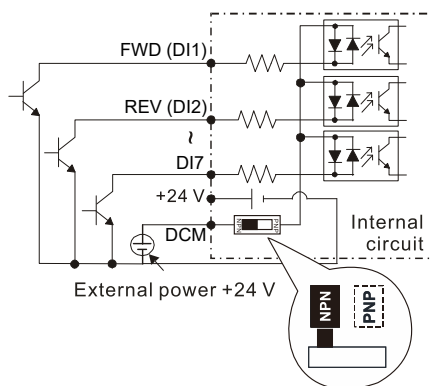
② Source Mode with internal power (+24 V_{DC})



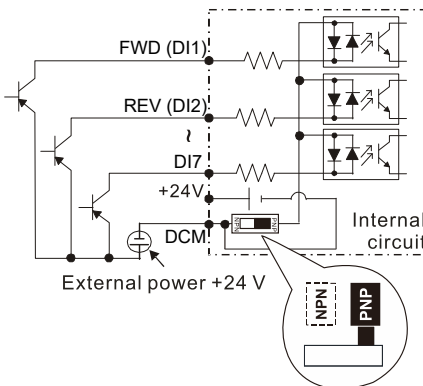
Control Circuit Wiring Diagram: Digital Inputs - External Power

Note: Users MUST connect wiring according to the control circuit diagram shown below. (Refer to GS20(X) User Manual for additional specific wiring information.)

③ Sink Mode with external power



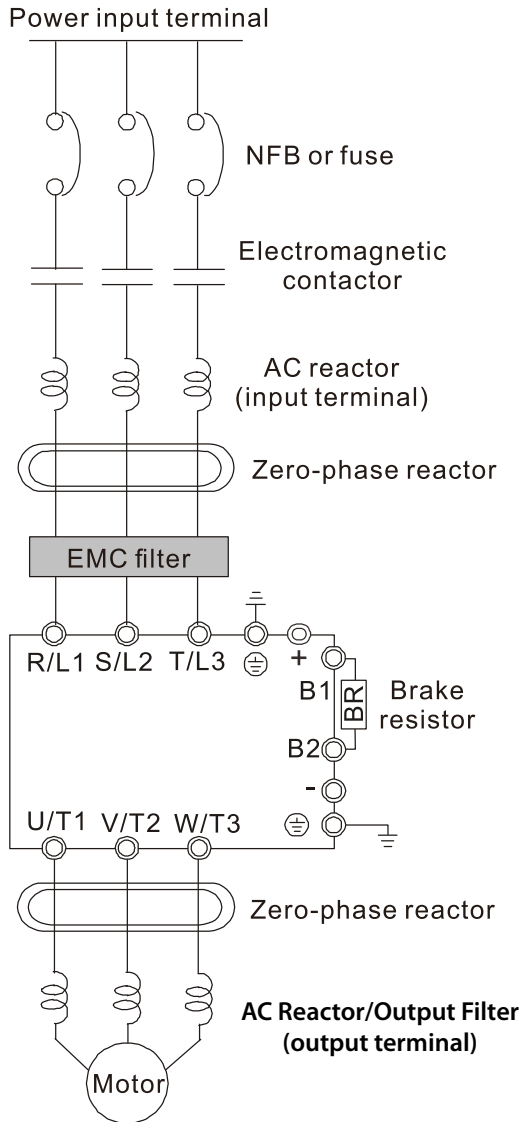
④ Source Mode with external power



DURAPULSE GS20(X) AC Drives – Basic Wiring Diagram

System Wiring Diagram:

Note: Users **MUST** connect wiring according to the circuit diagram shown below. (Refer to user GS20(X) User Manual for additional specific wiring information.)

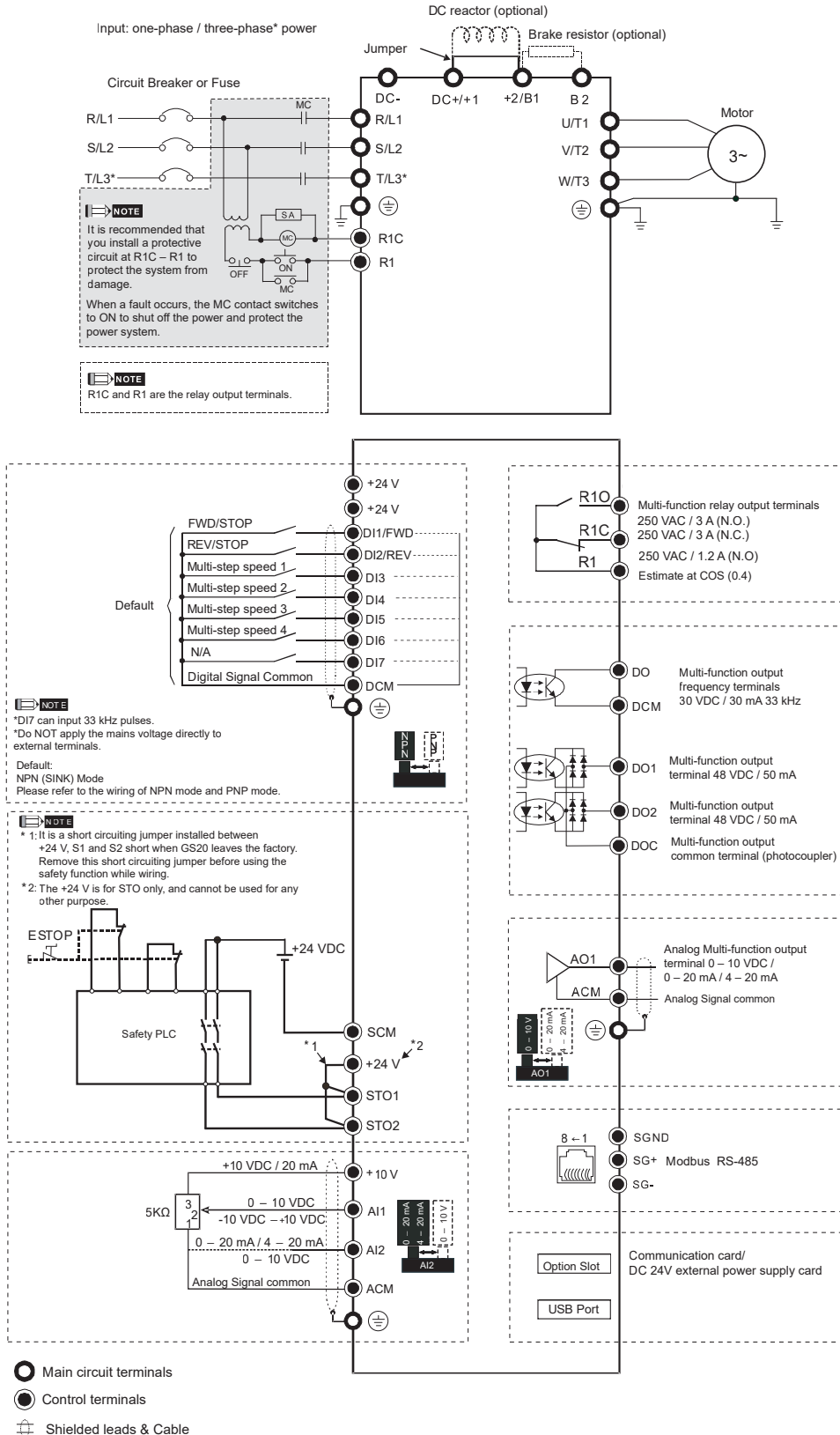


System Wiring Components	
Component	Function
Power input terminal	Supply power according to the rated power specifications indicated in the manual
NFB or fuse	There may be a large inrush current during power on. Select a suitable NFB or Fuse.
Electromagnetic contactor	Switching the power ON/OFF on the primary side of the electromagnetic contactor can turn the drive ON/OFF, but frequent switching can cause drive failure. Do not switch ON/OFF more than once an hour. Do not use the electromagnetic contactor as the power switch for the drive; doing so shortens the life of the drive.
AC reactor (input terminal)	When the main power supply capacity is greater than 500kVA, or when it switches into the phase capacitor, the instantaneous peak voltage and current generated may destroy the internal circuit of the drive. It is recommended that you install an input side AC reactor in the drive. This also improves the power factor and reduces power harmonics. The wiring distance should be within 10 m.
Zero phase reactor	Used to reduce radiated interference, especially in environments with audio devices, and reduce input and output side interference. The effective range is AM band to 10MHz.
EMC filter	Can be used to reduce electromagnetic interference.
Brake module and Brake resistor (BR)	Used to shorten the deceleration time of the motor.
AC Reactor/Output Filter (output terminal)	The motor cable length affects the size of the reflected wave on the motor end.

DURAPULSE GS20(X) AC Drives – Basic Wiring Diagram

Control Wiring Diagram: Full I/O

Note: Users MUST connect wiring according to the circuit diagram shown below. (Refer to user manual GS20-UMW for additional specific wiring information.)



DURAPULSE GS20(X) AC Drives – Dimensions

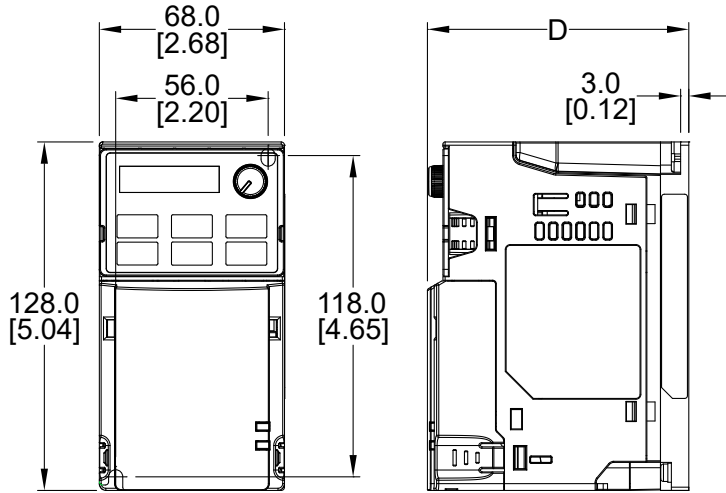
GS20(X) DURAPULSE Frame Sizes by Drive Model

Dimensions – GS20 AC Drives

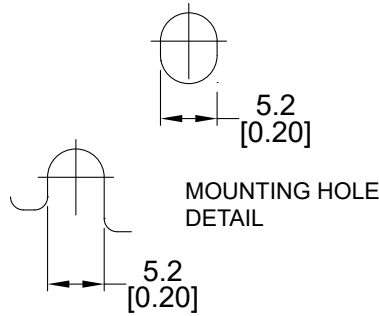
Units = (mm [in])

See our website: _____ for complete engineering drawings.

Dimensions – GS20 Frame Size A



A Frame "D" Dimension	
Model	D mm [in]
GS21-10P2	96.0 [3.78]
GS21-20P2	
GS23-20P2	
GS23-20P5	110.0 [4.33]
GS21-10P5	125.0 [4.92]
GS21-20P5	
GS23-40P5	129.0 [5.08]
GS23-21P0	143.0 [5.63]
GS23-41P0	
GS23-51P0	



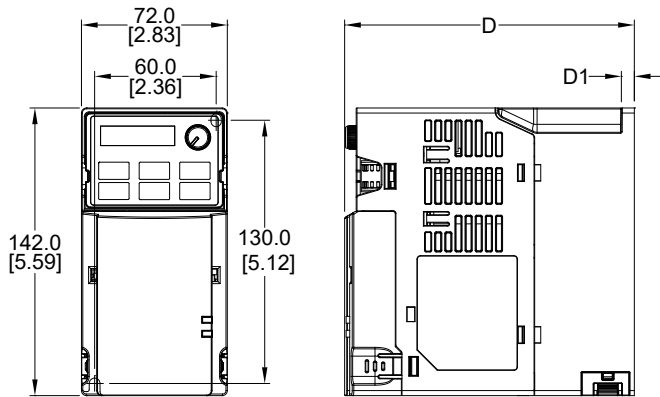
DURAPULSE GS20(X) AC Drives – Dimensions

Dimensions – GS20 AC Drives

(Units = mm [in])

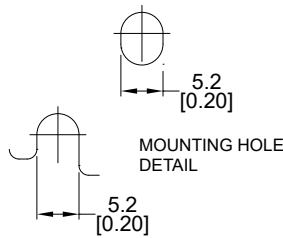
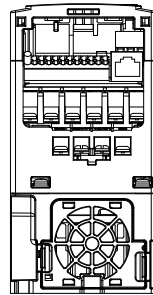
See our website: _____ for complete engineering drawings.

Dimensions – GS20 Frame Size B

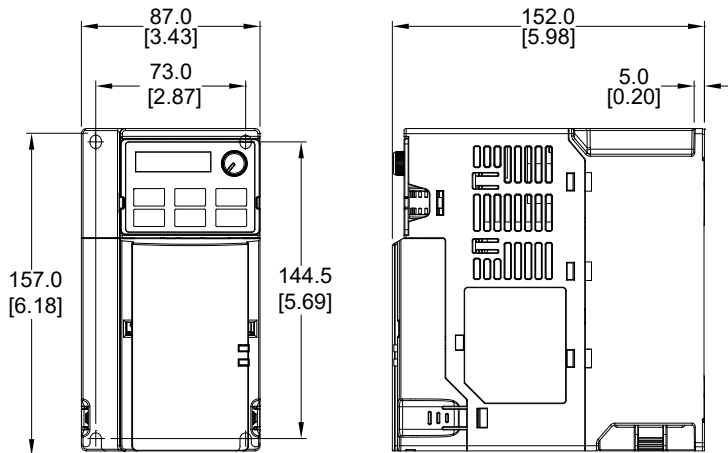


B Frame "D" Dimensions		
Model	D mm [in]	D1 mm [in]
GS23-22P0	143.0 [5.63]	6.4 [0.25]
GS23-42P0		
GS23-52P0		
GS21-21P0*	143.0 [5.63]	3.0 [0.12]

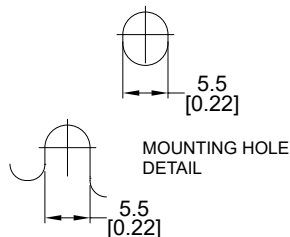
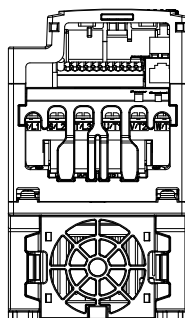
* Note: This model does not have a cooling fan.



Dimensions – GS20 Frame Size C



C Frame Models	
Model	
GS21-10P2	
GS21-22P0	
GS21-23P0	
GS23-23P0	
GS23-25P0	
GS23-43P0	
GS23-45P0	
GS23-53P0	
GS23-55P0	



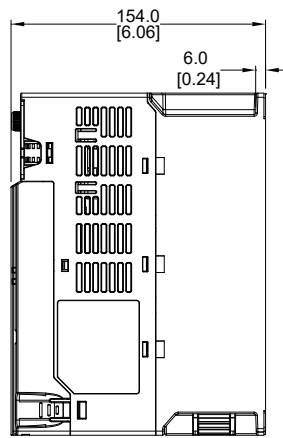
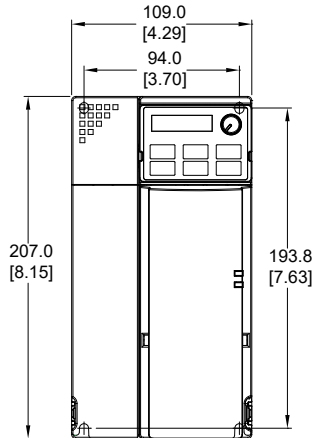
DURAPULSE GS20(X) AC Drives – Dimensions

Dimensions – GS20 AC Drives

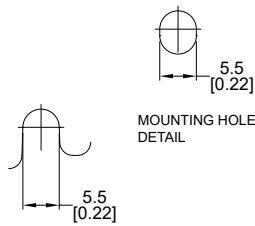
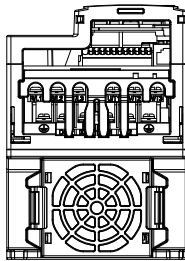
(Units = mm [in])

See our website: _____ for complete engineering drawings.

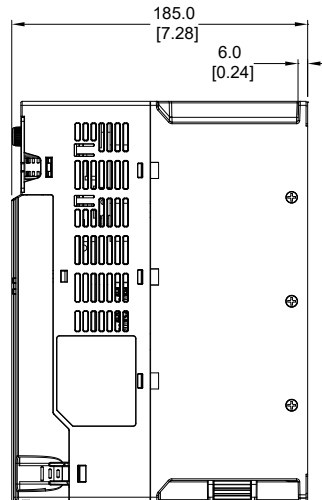
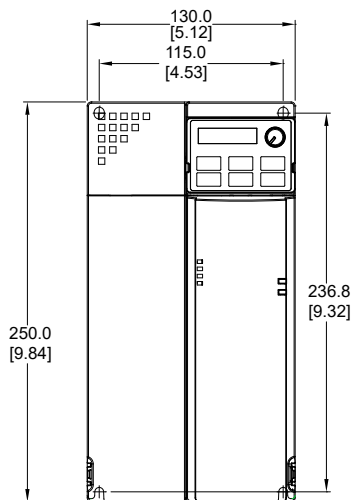
Dimensions – GS20 Frame Size D



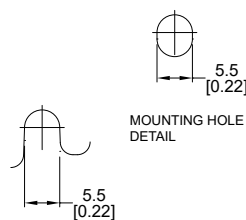
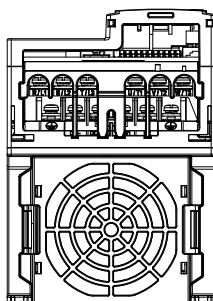
D Frame Models	
Model	
GS23-27P5	
GS23-47P5	
GS23-4010	
GS23-57P5	
GS23-5010	



Dimensions – GS20 Frame Size E



E Frame Models	
Model	
GS23-2010	
G23-2015	
GS23-4015	
GS23-4020	



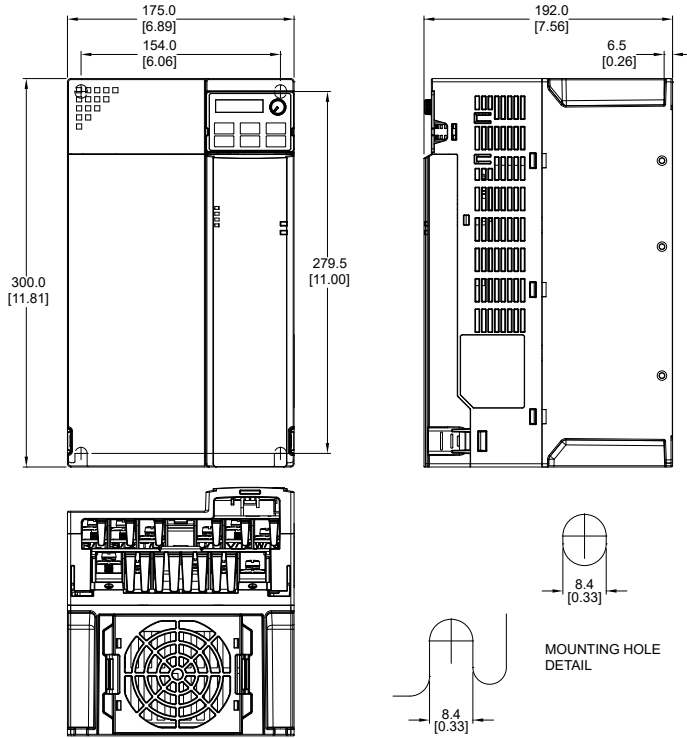
DURAPULSE GS20(X) AC Drives – Dimensions

Dimensions – GS20 AC Drives

(Units = mm [in])

See our website: _____ for complete engineering drawings.

Dimensions – GS20 Frame Size F



F Frame Models

Model
GS23-2020
GS23-4025
GS23-4030

DURAPULSE GS20(X) AC Drives – Optional Accessories

Accessories Available for GS20(X) AC Drives

The table below lists types of accessories available for your GS20 or GS20X series drive. To see if your specific model can use a particular accessory, please click the reference link to go to the accessory page.

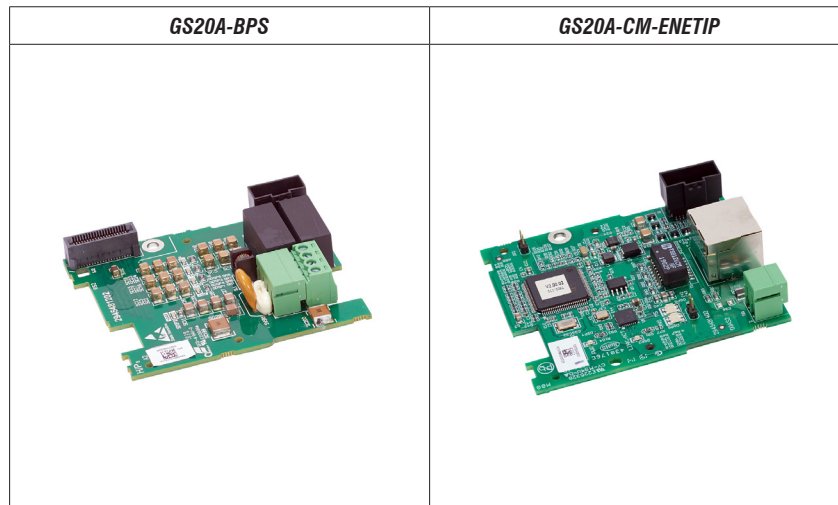
GS20(X) AC Drives Available Software and Accessories			
Accessory	GS20 Series Drives	GS20X Series Drives	Reference
GSoft 2 Drive Software	✓	✓	GSOFT2
GSLogic PLC Software	✓	✓	GSLOGIC
Backup Power Supply	✓	✓	GS20A-BPS
Braking Resistors	✓	✓	Braking Resistors
Capacitive Filter	✓	✓	GS20A-CAPF
Communication Module	✓	✓	GS20A-CM-ENETIP
Conduit Boxes	✓		GS20A-N1xx
DIN Rail Mounting (A–C frame only)	✓		GS20A-DR-xx
Disconnect Switch		✓	GS20XA-DSx
Earthing Plates		✓	GS20XA-EPx
EMC Filter	✓	✓	EMC Filters
EMC Shield Plates	✓		GS20A-ESP-x
EMI Filters	✓	✓	EMI Filters
Fuses/Circuit Breakers	✓	✓	Fuses
Keypad Extension Cables	✓		GS-CBL2-xL
Line/Load Reactor/Voltage Time Filter	✓	✓	Line Reactor/VTF
Mounting Adapter Plate (A–C frame only)	✓		GS20A-MP-xx
Optional Advanced Keypad	✓	✓	GS4-KPD
Replacement Fan Kit	✓	✓	GS20A-FAN-x
Replacement Keypad	✓		GS20A-KPD

GS20(X) Optional Accessories – Expansion Cards

Optional Modules

The GS20A-BPS is a backup power supply option card that can be used to maintain functionality to your GS20 or GS20X drive when external power is unavailable. The GS20A-CM-ENETIP is a communication module that can be used to enable Modbus TCP and EtherNet/IP communication. Note that only one option module can be installed at a time. Please see the GS20(X) User Manual for additional information and installation instructions.

GS20(X) DURAPULSE Drives I/O and Communication Cards					
Part Number	Price	Description	Features/Specifications	Placement*	GS Drive
GS20A-BPS		DURAPULSE GS20(X) series Backup Power Supply Module	Provides external power supply and supports 24VDC input. Supports parameter read/write and drive status monitoring. When providing backup power, the following functions work normally: Parameter reading and writing Keypad display Keys on the keyboard panel (except the RUN key) Analog input with +10V terminal supply power Multi-function inputs with +24V terminal or external power supply Relay output Pulse sequence frequency command	Slot 1	GS20(X) – all
GS20A-CM-ENETIP		DURAPULSE GS20(X) series communication module, EtherNet/IP and Modbus TCP	Features: Supports Modbus TCP and EtherNet/IP protocol. User-defined corresponding parameters. MDI/MDI-X auto-detect E-mail alarm IP filter simple firewall function. Specifications: RJ45 with Auto MDI/MDIX interface 1 port IEEE 802.3, IEEE 802.3u transmission method Cat 5e shielding 100MHz transmission cable 10/100 Mbps Auto-detect transmission speed Network protocol: ICMP, IP, TCP, UDP, DHCP, HTTP, SMTP, Modbus over TCP/IP, EtherNet/IP Requires 15VDC provided by AC drive 500VDC insulation voltate 0.8 W power consumption 25g weight	Slot 1	GS20(X) – all



DURAPULSE GS20(X) Optional Accessories - Braking

Braking Resistors Available for GS20(X) AC Drives

Use the table below to find the appropriate braking resistor model for your GS20 or GS20X series AC drive. For more information and installation instructions, please see the GS20(X) User Manual. All listed resistors are available for purchase at _____.

GS20(X) AC Drive Braking Component Selection										
Drive Voltage	Motor Power		Drive Model	125% Braking Torque @ 10% Duty Cycle*				Max Braking Torque		
	(hp)	(kW)		Braking Resistor		Brake Torque (kg-m)	Total Brake Current (A)	Min Resistor Value (Ω)	Max Total Brake Current (A)	Peak Power (kW)
				Qty.	Part #					
120V	1/4	0.2	GS21-10P2	1	GS-BR-080W750	0.1	0.5	190.0	2	0.8
	1/2	0.4	GS21-10P5	1	GS-BR-080W200	0.3	1.9	95.0	4	1.5
	1	0.75	GS21-11P0	1	GS-BR-080W200	0.5	1.9	63.3	6	2.3
230V	1/4	0.2	GS21-20P2	1	GS-BR-080W750	0.1	0.5	190.0	2	0.8
	1/2	0.4	GS21-20P5	1	GS-BR-080W200	0.3	1.9	95.0	4	1.5
	1	0.75	GS21-21P0	1	GS-BR-080W200	0.5	1.9	63.3	6	2.3
	2	1.5	GS21-22P0	1	GS-BR-200W091	1	4.2	47.5	8	3.0
	3	2.2	GS21-23P0	1	GS-BR-300W070	1.5	5.4	38.0	10	3.8
	1/4	0.2	GS23-20P2	1	GS-BR-080W750	0.1	0.5	190.0	2	0.8
	1/2	0.4	GS23-20P5	1	GS-BR-080W200	0.3	1.9	95.0	4	1.5
	1	0.75	GS23-21P0	1	GS-BR-080W200	0.5	1.9	63.3	6	2.3
	2	1.5	GS23-22P0	1	GS-BR-200W091	1	4.2	47.5	8	3.0
	3	2.2	GS23-23P0	1	GS-BR-300W070	1.5	5.4	38.0	10	3.8
	5	3.7	GS23-25P0	1	GS-BR-400W040	2.5	9.5	19.0	20	7.6
	7 1/2	5.5	GS23-27P5	1	GS-BR-1K0W020	3.7	19	16.5	23	8.7
	10	7.5	GS23-2010	1	GS-BR-1K0W020	5.1	19	14.6	26	9.9
	15	11	GS23-2015	1	GS-BR-1K5W013	7.4	29	12.6	29	11.0
	20	15	GS23-2020	2	GS-BR-1K0W4P3 (x2 series)	10.2	44	8.3	46	17.5
460V	1/2	0.4	GS23-40P5	1	GS-BR-080W750	0.3	1	380.0	2	1.5
	1	0.75	GS23-41P0	1	GS-BR-080W750	0.5	1	190.0	4	3.0
	2	1.5	GS23-42P0	1	GS-BR-200W360	1	2.1	126.7	6	4.6
	3	2.2	GS23-43P0	1	GS-BR-300W250	1.5	3	108.6	7	5.3
	5	3.7	GS23-45P0	1	GS-BR-400W150	2.5	5.1	84.4	9	6.8
	7 1/2	5.5	GS23-47P5	1	GS-BR-1K0W075	3.7	10.2	50.7	15	11.4
	10	7.5	GS23-4010	1	GS-BR-1K0W075	5.1	10.2	40.0	19	14.4
	15	11	GS23-4015	1	GS-BR-1K5W043	7.4	17.6	33.0	23	17.5
	20	15	GS23-4020	2	GS-BR-1K0W016 (x2 series)	10.2	24	26.2	29	22.0
	25	18	GS23-4025	2	GS-BR-1K0W016 (x2 series)	12.2	24	26.2	29	22.0
30	22	GS23-4030	2	GS-BR-1K5W013 (x2 series)	14.9	29	23.0	33	25.1	
575V	1	0.75	GS23-51P0	1	GS-BR-080W750	0.5	1.2	280.0	4	4.5
	2	1.5	GS23-52P0	1	GS-BR-200W360	1	2.6	186.7	6	6.7
	3	2.2	GS23-53P0	1	GS-42P0-BR	1.5	2.3	160.0	7	7.8
	5	3.7	GS23-55P0	1	GS-47P5-BR	2.5	9.2	93.3	12	13.4
	7 1/2	5.5	GS23-57P5	1	GS-47P5-BR (x2 series)	3.7	6.6	80.0	14	15.7
	10	7.5	GS23-5010	1	GS-BR-1K0W075	5.1	12.3	70.0	16	17.9
GS20X - 230V	1/2	0.4	GS21X-20P5	1	GS-BR-080W200	0.3	1.9	95.0	4	1.5
	1	0.75	GS21X-21P0	1	GS-BR-080W200	0.5	1.9	63.3	6	2.3
	2	1.5	GS21X-22P0	1	GS-BR-200W091	1	4.2	47.5	8	3.0
	3	2.2	GS21X-23P0	1	GS-BR-300W070	1.5	5.4	38.0	10	3.8
	1/2	0.2	GS23X-20P5	1	GS-BR-080W200	0.1	0.5	190.0	2	0.8
	1	0.4	GS23X-21P0	1	GS-BR-080W200	0.3	1.9	95.0	4	1.5
	2	0.75	GS23X-22P0	1	GS-BR-200W091	0.5	1.9	63.3	6	2.3
	3	1.5	GS23X-23P0	1	GS-BR-300W070	1	4.2	47.5	8	3.0
	5	2.2	GS23X-25P0	1	GS-BR-400W040	1.5	5.4	38.0	10	3.8
7 1/2	3.7	GS23X-27P5	1	GS-BR-1K0W020	2.5	9.5	19.0	20	7.6	
GS20X - 460V	1/2	0.4	GS23X-40P5	1	GS-BR-080W750	0.3	1	380.0	2	1.5
	1	0.75	GS23X-41P0	1	GS-BR-080W750	0.5	1	190.0	4	3.0
	2	1.5	GS23X-42P0	1	GS-BR-200W360	1	2.1	126.7	6	4.6
	3	2.2	GS23X-43P0	1	GS-BR-300W250	1.5	3	108.6	7	5.3
	5	3.7	GS23X-45P0	1	GS-BR-400W150	2.5	5.1	84.4	9	6.8
	7 1/2	5.5	GS23X-47P5	1	GS-BR-1K0W075	3.7	10.2	50.7	15	11.4
10	7.5	GS23X-4010	1	GS-BR-1K0W075	5.1	10.2	40.0	19	14.4	

* 10% Duty Cycle with maximum ON (braking) time for 10 seconds.

GS20(X) Optional Accessories – Conduit Boxes

GS20 – Conduit Selection Table				
Drive		Conduit Box*		Description
Model	Frame	Part #	Price	
GS21-10P2 GS21-20P2 GS23-20P2 GS23-20P5	A1, A2	GS20A-N1A1		GS20 series conduit box, NEMA1
GS21-10P5 GS21-20P5 GS23-40P5 GS23-21P0 GS23-41P0 GS23-51P0	A3–A5	GS20A-N1A3		GS20 series conduit box, NEMA1
GS23-22P0 GS23-42P0 GS23-52P0 GS21-21P0	B1, B2	GS20A-N1B		GS20 series conduit box, NEMA1
GS21-11P0 GS21-22P0 GS21-23P0 GS23-23P0 GS23-25P0 GS23-43P0 GS23-45P0 GS23-53P0 GS23-55P0	C1	GS20A-N1C		GS20 series conduit box, NEMA1
GS23-27P5 GS23-47P5 GS23-4010 GS23-57P5 GS23-5010	D1	GS20A-N1D		GS20 series conduit box, NEMA1
GS23-2010 GS23-2015 GS23-4015 GS23-4020	E1	GS20A-N1E		GS20 series conduit box, NEMA1
GS23-2020 GS23-4025 GS23-4030	F1	GS20A-N1F		GS20 series conduit box, NEMA1

* Conduit Box Kits include mounting hardware; box base, box cover, bushings, and screws.
Conduit box dimensions are shown below and on the following page.

Conduit Boxes

Optional Conduit Box Kits can be ordered separately. These kits bolt onto the bottom of the applicable GS20 drive to provide a convenient connection point for conduit entry, allowing the GS20 to achieve a NEMA 1/UL type 1 environmental protection rating; especially useful for GS20 drives mounted outside of an electrical control panel.



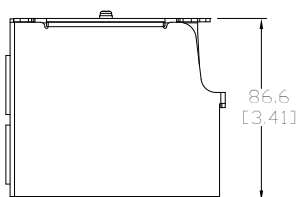
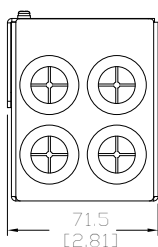
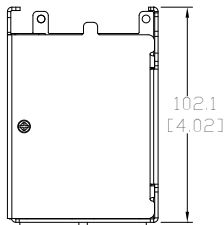
Example GS20 Conduit Box

Dimensions – Conduit Boxes

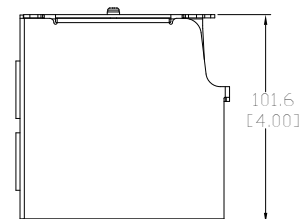
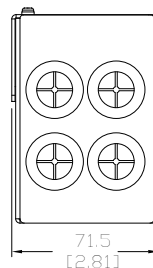
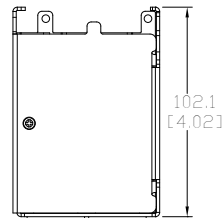
(Units = mm [in])

See our website: [www.tgcsx.com](#) for complete engineering drawings.

Dimensions – GS20A-N1A1



Dimensions – GS20A-N1A3



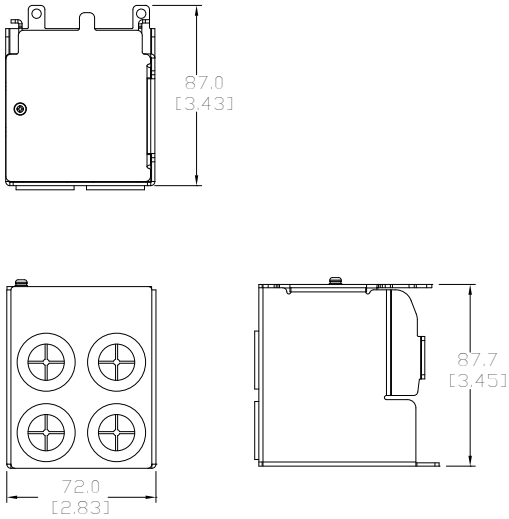
GS20(X) Optional Accessories – Conduit Boxes

Dimensions – Conduit Boxes

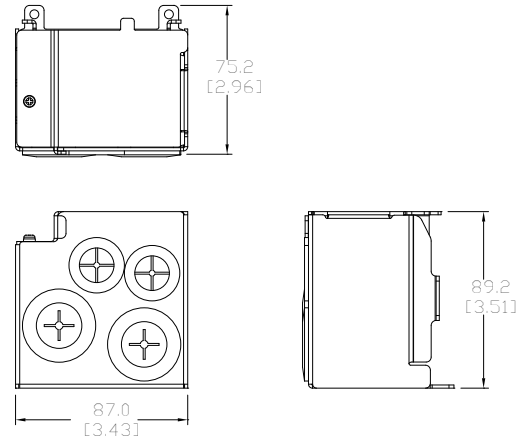
(Units = mm [in])

See our website: [www.toshiba-automation.com](#) for complete engineering drawings.

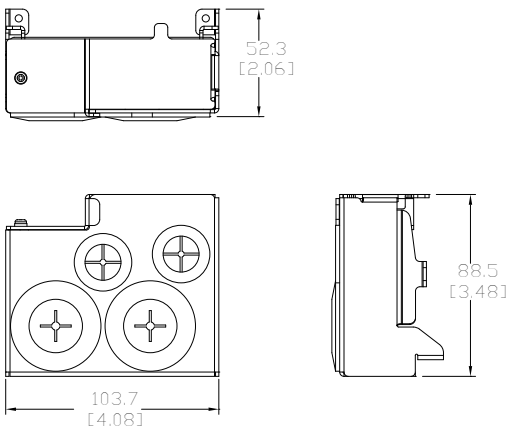
Dimensions – GS20A-N1B



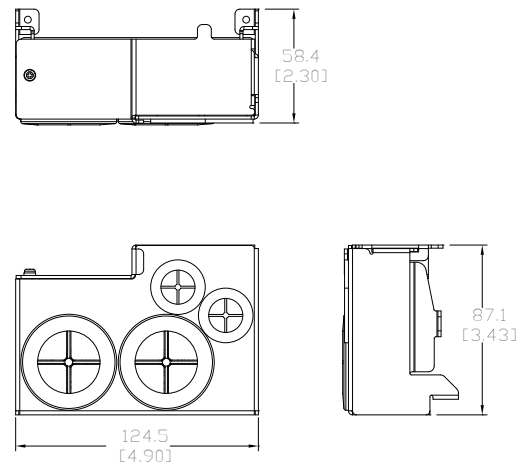
Dimensions – GS20A-N1C



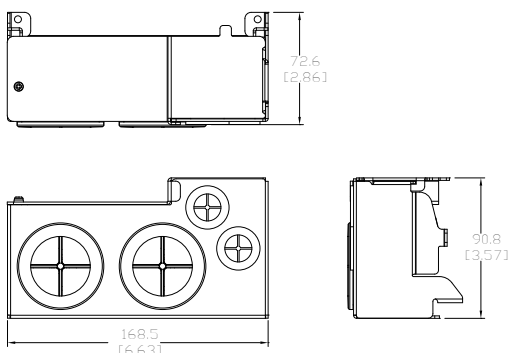
Dimensions – GS20A-N1D



Dimensions – GS20A-N1E



Dimensions – GS20A-N1F



GS20(X) Optional Accessories – EMC Filter & Zero Phase Reactor

Standard Footprint EMC Filter and Zero Phase Reactor

If electromagnetic noise is harmful to your manufacturing environment, we recommend that you select an EMC filter as shown below. For some motor drive models, you need to work with zero phase reactors to be compliant with EMC regulations. Refer to the table and figure below for the recommended model, setting method, and maximum motor cable length of the EMC filter and zero phase reactor. The footprint filter allows mounting of the drive on top of the recommended filter, saving panel space and wiring. For more information and installation instructions, please see the GS20(X) User Manual.

GS20(X) EMC Filter and Zero Phase Reactor																				
Frame	Drive Model	Input Current (A)	Footprint Filter Model #	Price	Recommended Zero Phase Reactor	Conducted Emission			Radiated Emission											
						C1-motor cable length-30m			C2-motor cable length-100m		C2-motor cable length- 100m									
						Position to Install a Zero Phase Reactor														
		1	2	3	n/a			1	2	3										
A	GS21-10P2	6.8	EMF11AM21A																	
	GS21-20P2	3.8	EMF11AM21A				✓	✓					✓	✓						
	GS21-20P5	6.7	EMF11AM21A				✓	✓					✓	✓						
	GS23-20P2	2.2	EMF10AM23A				✓	✓					✓	✓						
	GS23-20P5	3.8	EMF10AM23A				✓	✓					✓	✓						
	GS23-21P0	6	EMF10AM23A				✓	✓					✓	✓						
	GS23-40P5	2.5	EMF6A0M43A						✓										✓	
	GS23-41P0	4.2	EMF6A0M43A						✓											✓
	GS23-51P0	2.4	EMF6A0M63B																	
	GS21-10P5	10.1	EMF11AM21A																	
GS20X A	GS21X-20P5	8.3	EMF11AM21A				✓	✓					✓	✓						
	GS21X-21P0	11.3	EMF11AM21A				✓	✓					✓	✓						
	GS21X-22P0	18.5	EMF27AM21B					✓												✓
	GS23X-20P5	3.8	EMF10AM23A				✓	✓					✓	✓						
	GS23X-21P0	6	EMF10AM23A				✓	✓					✓	✓						
	GS23X-22P0	9.6	EMF10AM23A				✓	✓					✓	✓						
	GS23X-40P5	2.5	EMF6A0M43A						✓											✓
	GS23X-41P0	4.2	EMF6A0M43A						✓											✓
	GS23X-42P0	6.4	EMF6A0M43A						✓											✓
	GS23X-43P0	7.2	EMF12AM43B																	
B	GS21-21P0	10.5	EMF11AM21A				✓	✓					✓	✓						
	GS23-22P0	9.6	EMF10AM23A				✓	✓					✓	✓						
	GS23-52P0	4.2	EMF6A0M63B																	
	GS23-42P0	6.4	EMF6A0M43A						✓											✓
GS20X B	GS21X-23P0	27.5	EMF27AM21B						✓											✓
	GS23X-23P0	15	EMF24AM23B				✓	✓					✓	✓						
	GS23X-25P0	23.4	EMF24AM23B				✓	✓					✓	✓						
	GS23X-45P0	11.6	EMF12AM43B				✓	✓					✓	✓						
C	GS21-11P0	20.6	EMF27AM21B																	
	GS21-22P0	17.9	EMF27AM21B						✓											✓
	GS21-23P0	26.3	EMF27AM21B						✓											✓
	GS23-23P0	15	EMF24AM23B				✓	✓					✓	✓						
	GS23-25P0	23.4	EMF24AM23B				✓	✓					✓	✓						
	GS23-43P0	7.2	EMF12AM43B																	
	GS23-53P0	5.8	EMF16AM63B																	
	GS23-55P0	9.3	EMF16AM63B																	
	GS23-45P0	11.6	EMF12AM43B					✓	✓					✓	✓					
	GS23X-27P5	32.4	EMF33AM23B				✓	✓					✓	✓						
GS20X C	GS23X-47P5	17.3	EMF23AM43B				✓	✓	✓				✓	✓	✓					
	GS23X-4010	22.6	EMF23AM43B				✓	✓	✓				✓	✓	✓					

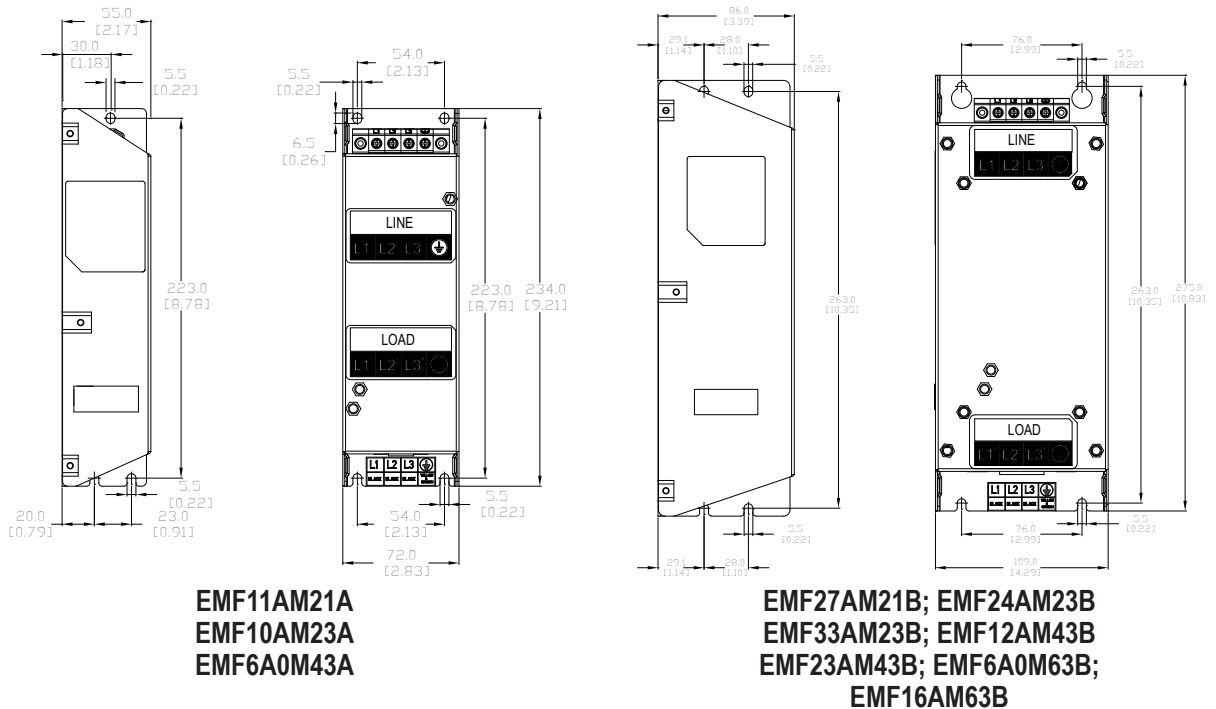
Continued on next page

GS20(X) Optional Accessories – EMC Filter & Zero Phase Reactor

Standard Footprint EMC Filter and Zero Phase Reactor, continued

GS20(X) EMC Filter and Zero Phase Reactor (continued)													
Frame	Drive Model	Input Current (A)	Footprint Filter Model #	Price	Recommended Zero Phase Reactor	Conducted Emission			Radiated Emission				
						C1-motor cable length-30m			C2-motor cable length-100m				
						Position to Install a Zero Phase Reactor							
						1	2	3	n/a	1	2	3	
D	GS23-27P5	32.4	EMF33AM23B		RF008X00A Note: Not available from Automation Direct	✓	✓		N/A	✓	✓		
	GS23-47P5	17.3	EMF23AM43B			✓	✓	✓	N/A	✓	✓	✓	
	GS23-57P5	13.4	EMF16AM63B						N/A				
	GS23-5010	17.5	EMF16AM63B						N/A				
	GS23-4010	22.6	EMF23AM43B			✓	✓	✓	N/A	✓	✓	✓	
E	GS23-2010	43.2	n/a	-				✓	✓	N/A		✓	✓
	GS23-2015	61.2	n/a	-			✓	✓	N/A		✓	✓	
	GS23-4015	30.8	n/a	-					N/A				
	GS23-4020	39.6	n/a	-			✓	✓	N/A		✓	✓	
F	GS23-2020	82.8	n/a	-			✓	✓	N/A		✓	✓	
	GS23-4025	45.7	n/a	-		✓	✓	N/A		✓	✓		
	GS23-4030	53.9	n/a	-		✓	✓	N/A		✓	✓		

Note: It is not necessary to add a zero phase reactor for passing the C2 conducted emission test.
 * The maximum motor cable length of the conducted emission C2 class for GS23-51P0, GS23-52P0, and GS23-53P0 is 75 meters. All others are 100 meters.
 ** See diagram below for installation positions.



GS20(X) Optional Accessories – EMI Input Filters

High Performance EMI Input Filters

High performance EMI filters may improve drive performance for certain applications. Use the table below to select the correct filter for your drive. For additional information and installation instructions, please see the GS20(X) User Manual.

EMI Filters Selection			
Model	Description	EMI Filter*	
		Roxburgh Filters Chassis 1ph	Roxburgh Filters C2 Rated
GS21-10P2	120V 1ph 0.25 hp	RES90F10	MIF10
GS21-10P5	120V 1ph 0.5 hp	RES90F16	MIF16
GS21-11P0	120V 1ph 1.0 hp	RES90S30	MIF23
GS21-20P2	230V 1ph 0.25 hp	RES90F06	MIF06
GS21-20P5	230V 1ph 0.5 hp	RES90F10	MIF10
GS21-21P0	230V 1ph 1.0 hp	RES90F16	MIF16
GS21-22P0	230V 1ph 2.0 hp	RES90S20	MIF23
GS21-23P0	230V 1ph 3.0 hp	RES90S30	MIF330B
GS23-20P2	230V 3ph 0.25 hp	-	KMF306A
GS23-20P5	230V 3ph 0.5 hp	-	KMF306A
GS23-21P0	230V 3ph 1.0 hp	-	KMF306A
GS23-22P0	230V 3ph 2.0 hp	-	KMF318A
GS23-23P0	230V 3ph 3.0 hp	-	KMF318A
GS23-25P0	230V 3ph 5.0 hp	-	KMF325A
GS23-27P5	230V 3ph 7.5 hp	-	KMF336A
GS23-2010	230V 3ph 10hp	-	KMF350A
GS23-2015	230V 3ph 15hp	-	KMF370A
GS23-2020	230V 3ph 20hp	-	KMF3100A
GS23-40P5	460V 3ph 0.5 hp	-	KMF306A
GS23-41P0	460V 3ph 1.0 hp	-	KMF306A
GS23-42P0	460V 3ph 2.0 hp	-	KMF306A
GS23-43P0	460V 3ph 3.0 hp	-	KMF310A
GS23-45P0	460V 3ph 5.0 hp	-	KMF318A
GS23-47P5	460V 3ph 7.5 hp	-	KMF318A
GS23-4010	460V 3ph 10hp	-	KMF325A
GS23-4015	460V 3ph 15hp	-	KMF336A
GS23-4020	460V 3ph 20hp	-	KMF350A
GS23-4025	460V 3ph 25hp	-	KMF350A
GS23-4030	460V 3ph 30hp	-	KMF370A
GS23-51P0	575V 3ph 1.0 hp	-	KMF306V
GS23-52P0	575V 3ph 2.0 hp	-	KMF306V
GS23-53P0	575V 3ph 3.0 hp	-	KMF306V
GS23-55P0	575V 3ph 5.0 hp	-	KMF310V
GS23-57P5	575V 3ph 7.5 hp	-	KMF318V
GS23-5010	575V 3ph 10hp	-	KMF318V
GS21X-20P5	230V 1ph 0.5 hp	RES90F10	MIF10
GS21X-21P0	230V 1ph 1.0 hp	RES90F16	MIF16
GS21X-22P0	230V 1ph 2.0 hp	RES90S20	MIF23
GS21X-23P0	230V 1ph 3.0 hp	RES90S30	MIF330B
GS23X-20P5	230V 3ph 0.5 hp	-	KMF306A
GS23X-21P0	230V 3ph 1.0 hp	-	KMF306A
GS23X-22P0	230V 3ph 2.0 hp	-	KMF310A
GS23X-23P0	230V 3ph 3.0 hp	-	KMF318A
GS23X-25P0	230V 3ph 5.0 hp	-	KMF325A
GS23X-27P5	230V 3ph 7.5 hp	-	KMF336A
GS23X-40P5	460V 3ph 0.5 hp	-	KMF306A
GS23X-41P0	460V 3ph 1.0 hp	-	KMF306A
GS23X-42P0	460V 3ph 2.0 hp	-	KMF306A
GS23X-43P0	460V 3ph 3.0 hp	-	KMF310A
GS23X-45P0	460V 3ph 5.0 hp	-	KMF318A
GS23X-47P5	460V 3ph 7.5 hp	-	KMF318A
GS23X-4010	460V 3ph 10hp	-	KMF325A

KMF Series Filters, -MIF Series Filters, -RES90 Series Filters

GS20(X) Optional Accessories – Fuses/Circuit Breakers

Fuses/Circuit Breakers

Protection devices are essential to prevent damage to your GS20(X) drive and application equipment. Please use the fuse specification chart below to select fuses that are applicable to your GS20(X) drive. Only use UL-certified fuses which comply with your local regulations.

Fuse Specification Chart GS20(X) DURAPULSE Drives										
Drive Model	HP	Input Power			Input Fuse			Circuit Breaker		
		Ø	Volts	GS20(X) Input Amps	Fuse Amps	Fast Acting Class T	Edison Class J*	Size	Molded Case CB	
GS21-10P2	1/4	1	120	6.8	10	TJN10	JHL10	20	G3P-020	
GS21-10P5	1/2	1	120	10.1	10	TJN10	JHL10	25	G3P-025	
GS21-11P0	1	1	120	20.6	25	TJN25	JHL25	50	G3P-050	
GS21-20P2	1/4	1	230	5.8	10	TJN10	JHL10	15	G3P-015	
GS21-20P5	1/2	1	230	8.3	15	TJN15	JHL15	20	G3P-020	
GS21-21P0	1	1	230	11.3	20	TJN20	JHL20	30	G3P-030	
GS21-22P0	2	1	230	18.5	35	TJN35	JHL35	45	G3P-040	
GS21-23P0	3	1	230	27.5	50	TJN50	JHL50	70	G3P-070	
GS23-20P2	1/4	3	230	2.2	10	TJN10	JHL10	15	G3P-015	
GS23-20P5	1/2	3	230	3.8	15	TJN15	JHL15	15	G3P-015	
GS23-21P0	1	3	230	6	20	TJN20	JHL20	15	G3P-015	
GS23-22P0	2	3	230	9.6	35	TJN35	JHL35	25	G3P-025	
GS23-23P0	3	3	230	15	50	TJN50	JHL50	40	G3P-040	
GS23-25P0	5	3	230	23.4	80	TJN80	JHL80	60	G3P-060	
GS23-27P5	7 1/2	3	230	32.4	60	TJN60	JHL60	63	G3P-060	
GS23-2010	10	3	230	43.2	80	TJN80	JHL80	90	G3P-090	
GS23-2015	15	3	230	61.2	110	TJN110	JHL110	125	F3P-125	
GS23-2020	20	3	230	82.8	150	TJN150	JHL150	160	BW250JAGU-3P160SB	
GS23-40P5	1/2	3	460	2	10	TJS10	JHL10	15	G3P-015	
GS23-41P0	1	3	460	3.3	15	TJS15	JHL15	15	G3P-015	
GS23-42P0	2	3	460	5.1	20	TJS20	JHL20	15	G3P-015	
GS23-43P0	3	3	460	7.2	25	TJS25	JHL25	20	G3P-020	
GS23-45P0	5	3	460	11.6	45	TJS45	JHL45	30	G3P-030	
GS23-47P5	7 1/2	3	460	17.3	35	TJS35	JHL35	32	G3P-030	
GS23-4010	10	3	460	22.6	45	TJS45	JHL45	45	G3P-040	
GS23-4015	15	3	460	30.8	60	TJS60	JHL60	60	G3P-060	
GS23-4020	20	3	460	39.6	80	TJS80	JHL80	80	G3P-080	
GS23-4025	25	3	460	45.7	90	TJS90	JHL90	90	G3P-090	
GS23-4030	30	3	460	53.9	110	TJS110	JHL110	100	G3P-100	
GS23-51P0	1	3	575	2.4	6	TJS6	JHL6	6	n/a	
GS23-52P0	2	3	575	4.2	10	TJS10	JHL10	10	n/a	
GS23-53P0	3	3	575	5.8	10	TJS10	JHL10	15	BW125JAGU-3P015SB	
GS23-55P0	5	3	575	9.3	20	TJS20	JHL20	30	BW125JAGU-3P030SB	
GS23-57P5	7 1/2	3	575	13.4	25	TJS25	JHL25	30	BW125JAGU-3P030SB	
GS23-5010	10	3	575	17.5	30	TJS30	JHL30	30	BW125JAGU-3P030SB	
GS21X-20P5	1/2	1	230	8.3	15	TJN15	JHL15	16	G3P-015	
GS21X-21P0	1	1	230	11.3	20	TJN20	JHL20	25	G3P-025	
GS21X-22P0	2	1	230	18.5	35	TJN35	JHL35	45	G3P-040	
GS21X-23P0	3	1	230	27.5	50	TJN50	JHL50	63	G3P-060	
GS23X-20P5	1/2	3	230	3.8	15	TJN15	JHL15	10	FAZ-C10-3-NA	
GS23X-21P0	1	3	230	6	20	TJN20	JHL20	15	G3P-015	
GS23X-22P0	2	3	230	9.6	35	TJN35	JHL35	25	G3P-025	
GS23X-23P0	3	3	230	15	50	TJN50	JHL50	40	G3P-040	
GS23X-25P0	5	3	230	23.4	80	TJN80	JHL80	60	G3P-060	
GS23X-27P5	7 1/2	3	230	32.4	60	TJN60	JHL60	63	G3P-060	
GS23X-40P5	1/2	3	460	2.5	10	TJS10	JHL10	6	FAZ-C5-3-NA	
GS23X-41P0	1	3	460	4.2	15	TJS15	JHL15	10	FAZ-C10-3-NA	
GS23X-42P0	2	3	460	6.4	20	TJS20	JHL20	16	G3P-015	
GS23X-43P0	3	3	460	7.2	25	TJS25	JHL25	16	G3P-015	
GS23X-45P0	5	3	460	11.6	35	TJS35	JHL35	30	G3P-030	
GS23X-47P5	7 1/2	3	460	17.3	35	TJS35	JHL35	30	G3P-030	
GS23X-4010	10	3	460	22.6	45	TJS45	JHL45	45	G3P-040	

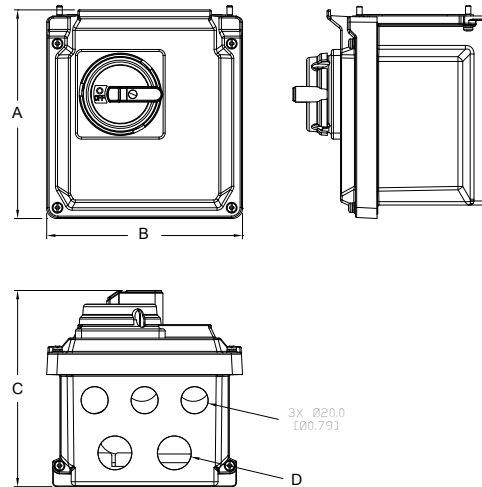
* High-speed Class J.

Note: JHL fuses can be used with GS and DURAPULSE drives in non-UL applications. Fuse the drive according to NEC guidelines (NEC Article 430). For UL applications, GS, and DURAPULSE drives require Class T fuses (refer to the drive's user manual for details).

GS20(X) Optional Accessories – General

Disconnect Switch

The GS20XA-DSx series disconnect switch provides a local on/off disconnect switch that is easily mounted to the GS20X drive. This accessory provides an easy, quick, single hasp lockout point to isolate power to the drive. For more information and installation instructions, see the GS20(X) User Manual.



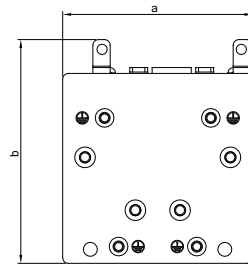
GS20X Disconnect Switch Selection						
Frame	Part Number	Price	Dimensions (mm [in])			
			A	B	C	D
A	GS20XA-DSA		154.5 [6.08]	145.0 [5.71]	145.2 [5.72]	2x Ø25.0 [Ø0.98]
B	GS20XA-DSB		164.5 [6.48]	165.0 [6.50]	152.5 [6.01]	2x Ø32.4 [Ø1.28]
C	GS20XA-DSC					

EMC Shield Plate

EMC Shield Plates are available for use with shielded cable and your GS20 drive. For GS20X drives, please use Earthing Plates. Each shield plate is compatible with all GS20 drives of that frame size. For more information and installation instructions, see the GS20(X) User Manual.

GS20 EMC Shield Plate Selection		
Frame	EMC Shield Plate Model	Price
A	GS20A-ESP-A	
B	GS20A-ESP-B	
C	GS20A-ESP-C	
D	GS20A-ESP-D	
E	GS20A-ESP-E	
F	GS20A-ESP-F	

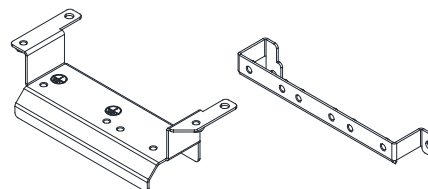
EMC Shield Plate Dimensions		
Model	Dimensions mm [inch]	
	a	b
GS20A-ESP-A	69.3 [2.73]	80.0 [3.15]
GS20A-ESP-B	67.7 [2.67]	79.7 [3.14]
GS20A-ESP-C	78.0 [3.07]	91.0 [3.58]
GS20A-ESP-D	103.4 [4.07]	97.0 [3.82]
GS20A-ESP-E	124.3 [4.89]	77.4 [3.05]
GS20A-ESP-F	168.0 [6.61]	80.0 [3.15]



Earthing Plate

Earthing plates are available for use with shielded cable and your GS20X drive. For GS20 drives, please use EMC shield plates. Each earthing plate is compatible with all GS20X drives of that frame size. For more information and installation instructions, see the GS20(X) User Manual.

GS20X Earthing Plate Selection		
Frame	Earthing Plate Model	Price
A	GS20XA-EPA	
B	GS20XA-EPB	
C	GS20XA-EPC	



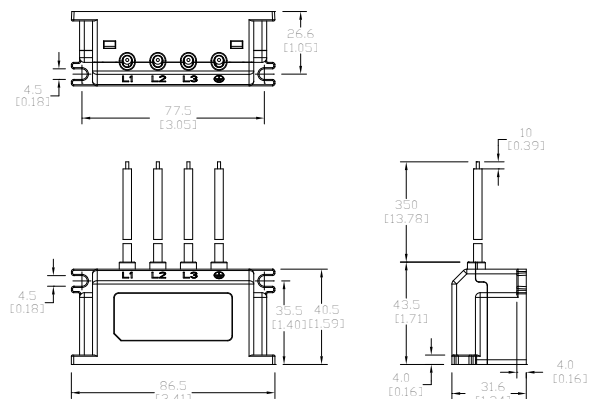
Example Earthing Plate - GS20XA-EPA

Capactive Filter

The GS20A-CAPF capacitive filter supports basic filtering and noise interference reduction for all GS20 and GS20X models 460V and below. For more information and installation instructions, please see the GS20(X) User Manual.

The GS20A-CAPF cannot be used with 575V models.

GS20A-CAPF Specifications			
Price	Applicable Voltage	Temperature Range	Capacitance
	110–480 VAC	-40–85°C	Cx: 1uF ± 20% Cy: 0.1uF ± 20%



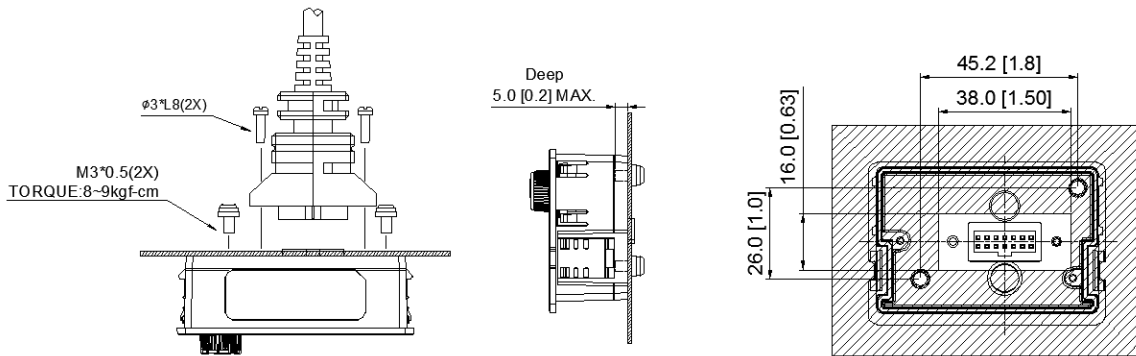
GS20(X) Optional Accessories – General

Replacement Keypad

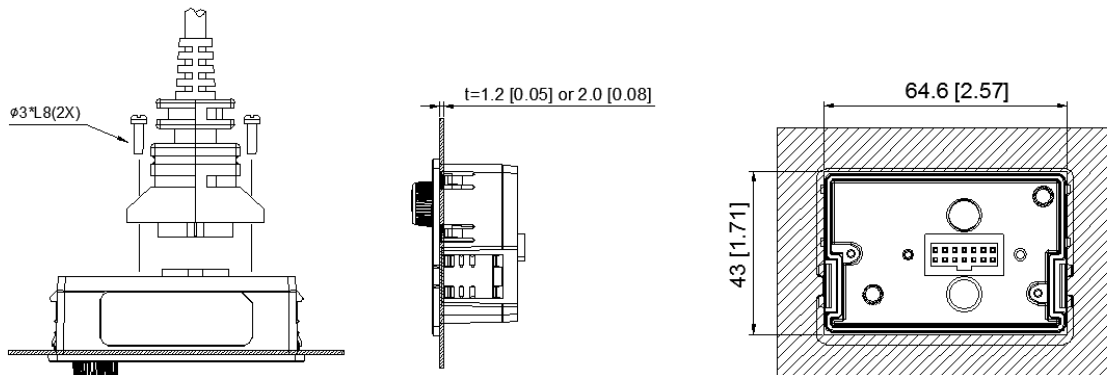
The GS20A-KPD can be used to replace the keypad that comes with each GS20 drive. The replacement keypad can be plugged directly into the drive (no screws needed) or mounted remotely using M3 screws and a keypad extension cable.



GS20-KPD Replacement Keypad			
Price	Part	Screw	Torque
	GS20A-KPD	M3	8–9 kg·cm (6.947.81 lb-in.) [0.78–0.88 N·m]



Direct Mounting on Plate



Embedded Mounting in Plate

Keypad Extension Cables

The default GS20 keypad is removable and can be remote installed if desired. Use one of the cables below to connect the remotely installed keypad back to the GS20 drive.

GS20 Keypad Compatible Extension Cables		
Price	Cable	Length (m [ft])
	GS-CBL2-1L	1 [3.28]
	GS-CBL2-3L	3 [9.84]
	GS-CBL2-5L	5 [16.4]

GS20(X) Optional Accessories – Line Reactors/ VTF Filters

Line Reactors/Voltage Time Filters

Installing an AC Line Reactor on the input side of an AC motor drive can increase line impedance, improve the power factor, reduce input current, increase system capacity, and reduce interference generated from the motor drive.

Installing a load reactor or voltage time filter on the drive's output side can increase the high-frequency impedance to reduce the dV/dT and terminal voltage to protect the motor. Use output filters if the motor cable length exceeds 100ft.

GS20(X) Line/Load Reactor, AC Output Filter, & DC Reactor Selections						
GS20(X) Model	CT Input Amps (rms)	Saturation Amps (rms)	Motor HP	Line Reactor (LR2)**	Load Reactor (LR2)**	AC Output Filter (VTF)**
GS21-10P2	1.6	3.2	1/4	LR2-10P2-1PH	LR2-20P2	VTF-46-DE
GS21-10P5	2.5	5	1/2	LR2-10P5-1PH	LR2-20P5	VTF-246-CFG
GS21-11P0	5	9.6	1	LR2-11P0-1PH	LR2-21P0	VTF-24-FH
GS21-20P2	1.6	3.2	1/4	LR2-20P2-1PH	LR2-20P2	VTF-46-DE
GS21-20P5	2.8	5.6	1/2	LR-20P5	LR2-20P5	VTF-246-CFG
GS21-21P0	4.8	9.6	1	LR2-21P0-1PH	LR2-21P0	VTF-24-FH
GS21-22P0	7.5	15	2	LR-22P0-1PH	LR-22P0	VTF-246-HKL
GS21-23P0	11	22	3	LR-23P0-1PH	LR-25P0	VTF-24-JL
GS23-20P2	1.6	3.2	1/4	LR2-20P2	LR2-20P2	VTF-46-DE
GS23-20P5	2.8	5.6	1/2	LR2-20P5	LR2-20P5	VTF-246-DGH
GS23-21P0	4.8	9.6	1	LR2-20P7	LR2-20P7	VTF-24-FH
GS23-22P0	7.5	15	2	LR-22P0	LR-22P0	VTF-246-HKL
GS23-23P0	11	22	3	LR-23P0	LR-25P0	VTF-24-JL
GS23-25P0	17	34	5	LR-25P0	LR-25P0	VTF-46-LM
GS23-27P5	25	50	7 1/2	LR-27P5	LR-2010	VTF-46-NP
GS23-2010	33	66	10	LR-2010	LR-2010	VTF-246-LPQ
GS23-2015	46	92	15	LR-2020	LR-2020	VTF-246-NRS
GS23-2020	65	130	20	LR-2025	LR-2025	VTF-246-PSU
GS23-40P5	1.5	3	1/2	LR2-40P5	LR2-40P5	VTF-46-DE
GS23-41P0	2.7	5.4	1	LR2-41P0	LR2-41P0	VTF-246-CFG
GS23-42P0	4.2	8.4	2	LR2-42P0	LR2-42P0	VTF-24-FH
GS23-43P0	5.5	11	3	LR2-43P0	LR2-43P0	VTF-24-FH
GS23-45P0	9	18	5	LR2-45P0	LR2-45P0	VTF-246-HKL
GS23-47P5	13	26	7 1/2	LR2-47P5	LR2-47P5	VTF-24-JL
GS23-4010	17	34	10	LR-4010	LR-4010	VTF-24-JL
GS23-4015	25	50	15	LR-4015	LR-4015	VTF-246-LPQ
GS23-4020	32	64	20	LR-4020	LR-4020	VTF-246-LPQ
GS23-4025	38	76	25	LR-4025	LR-4025	VTF-246-MQR
GS23-4030	45	90	30	LR-4030	LR-4030	VTF-246-NRS
GS23-51P0	1.7	3.4	1	LR2-51P0	LR2-51P0	VTF-46-DE
GS23-52P0	3	6	2	LR2-52P0	LR2-52P0	VTF-246-CFG
GS23-53P0	4.2	8.4	3	LR2-53P0	LR2-53P0	VTF-246-DGH
GS23-55P0	6.6	13.2	5	LR2-55P0	LR2-55P0	VTF-246-GJJ
GS23-57P5	9.9	19.8	7 1/2	LR2-57P5	LR2-57P5	VTF-246-HKL
GS23-5010	12.2	24.4	10	LR-5010	LR-5010	VTF-246-HKL
GS21X-20P5	2.8	5.6	1/2	LR2-20P5-1PH	LR2-20P2	VTF-246-DGH
GS21X-21P0	4.8	9.6	1	LR-21P0-1PH	LR2-20P7	VTF-24-FH
GS21X-22P0	7.5	15.0	2	LR2-22P0-1PH	LR2-22P0	VTF-246-HKL
GS21X-23P0	11.0	22.0	3	LR-23P0-1PH	LR-25P0	VTF-24-JL
GS23X-20P5	2.8	5.6	1/2	LR2-20P2	LR2-20P2	VTF-246-DGH
GS23X-21P0	4.8	9.6	1	LR2-21P0	LR2-21P0	VTF-24-FH
GS23X-22P0	7.5	15.0	2	LR2-22P0	LR2-22P0	VTF-246-GJJ
GS23X-23P0	11.0	22.0	3	LR-23P0	LR-25P0	VTF-24-JL
GS23X-25P0	17.0	34.0	5	LR-25P0	LR-27P5	VTF-4-M
GS23X-27P5	25.0	50.0	7 1/2	LR-27P5	LR-2010	VTF-246-KMN
GS23X-40P5	1.5	3.0	1/2	LR2-40P5	LR2-40P5	VTF-46-DE
GS23X-41P0	2.7	5.4	1	LR2-41P0	LR2-41P0	VTF-246-CFG
GS23X-42P0	4.2	8.4	2	LR2-42P0	LR2-42P0	VTF-24-FH
GS23X-43P0	5.5	11.0	3	LR2-43P0	LR2-43P0	VTF-24-FH
GS23X-45P0	9.0	18.0	5	LR2-45P0	LR2-45P0	VTF-246-HKL
GS23X-47P5	13.0	26.0	7 1/2	LR2-47P5	LR2-47P5	VTF-24-JL
GS23X-4010	17.0	34.0	10	LR-4010	LR-4010	VTF-46-LM

* Not available at AutomationDirect.com

** All specs for the LR2 and VTF can be found at or by clicking the following links:

-LR2 Line Reactors

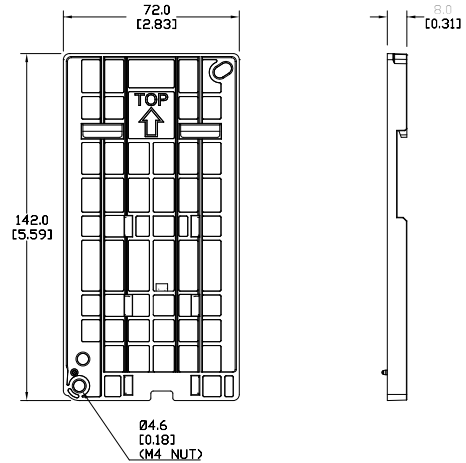
-VTF Output Filters

GS20(X) Optional Accessories – Mounting Kits

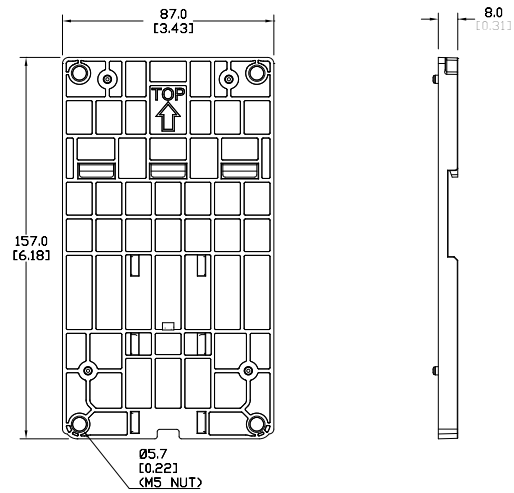
DIN Rail Mounting

Frame A, B, and C GS20 drives can be DIN rail mounted using a DIN rail mounting kit. One kit is used for A and B frame drives, while a second kit is used for C frame drives. Please see the GS20(X) User Manual for additional information and installation instructions.

GS20 DIN Rail Mounting Compatibility			
Drive Model	Frame	DIN Rail Kit	Price
GS21-10P2	A1	GS20A-DR-AB	
GS21-20P2	A1		
GS23-20P2	A1		
GS23-20P5	A2		
GS21-10P5	A3		
GS21-20P5	A3		
GS23-40P5	A4		
GS23-21P0	A5		
GS23-41P0	A5		
GS23-51P0	A5		
GS23-22P0	B1		
GS23-42P0	B1		
GS23-52P0	B1		
GS21-21P0	B2	GS20A-DR-C	
GS21-11P0	C1		
GS21-22P0	C1		
GS21-23P0	C1		
GS23-23P0	C1		
GS23-25P0	C1		
GS23-43P0	C1		
GS23-45P0	C1		
GS23-53P0	C1		
GS23-55P0	C1		



GS20A-DR-AB



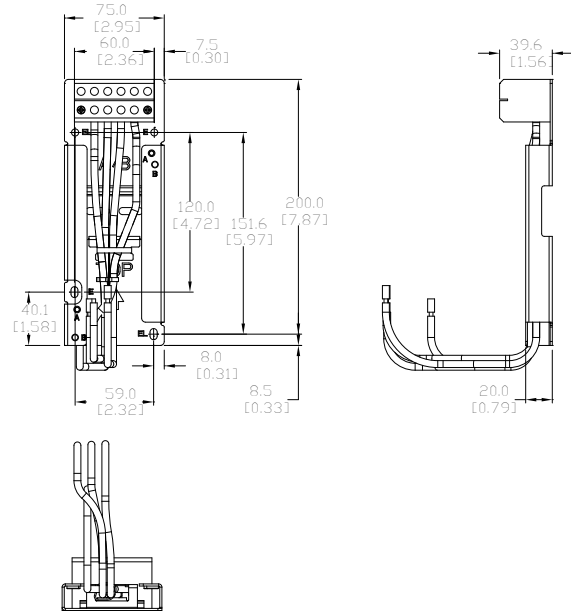
GS20A-DR-C

GS20(X) Optional Accessories – Mounting Kits

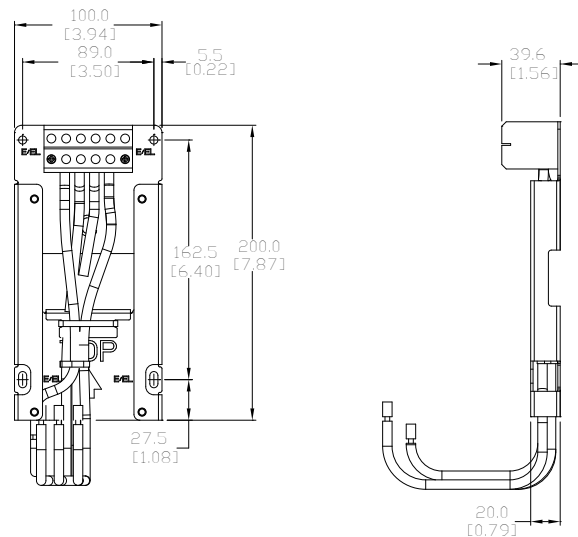
Mounting Adapter Plate

The mounting adapter plate can be used to change the wiring orientation for the GS20 series and provides flexibility for installation. This accessory changes the wiring method from the “bottom-mains input/ bottom-motor output” to the “top-mains input/bottom-motor output” for GS20. Use the table below to select the correct mounting plate for your drive. Please see the GS20(X) User Manual for additional information and installation instructions.

GS20 Mounting Adapter Compatibility			
Drive Model	Frame	Mounting Plate	Price
GS21-10P2	A1	GS20A-MP-AB	
GS21-20P2	A1		
GS23-20P2	A1		
GS23-20P5	A2		
GS21-10P5	A3		
GS21-20P5	A3		
GS23-40P5	A4		
GS23-21P0	A5		
GS23-41P0	A5		
GS23-51P0	A5		
GS23-22P0	B1		
GS23-42P0	B1		
GS23-52P0	B1		
GS21-21P0	B2	GS20A-MP-C	
GS21-11P0	C1		
GS21-22P0	C1		
GS21-23P0	C1		
GS23-23P0	C1		
GS23-25P0	C1		
GS23-43P0	C1		
GS23-45P0	C1		
GS23-53P0	C1		
GS23-55P0	C1		



GS20A-MP-AB



GS20A-MP-C

GS20(X) Optional Accessories – Replacement Cooling Fans

Cooling Fans for GS20(X) Drives (Spare/Replacement)

NOTE: The fans described below are included with the applicable GS20(X) AC Drive, and are also available for purchase separately as spare/replacement components.

GS20(X) – Fan Selection Table					
Drive Model	Fan Model *		Description	Size	Voltage
	Part #	Price			
GS23-22P0 GS23-42P0 GS23-52P0	GS20A-FAN-B		GS20 series main cooling fan, replacement.	40x40x15 mm	12VDC
GS21X-23P0 GS23X-23P0 GS23X-25P0 GS23X-45P0	GS20XA-FAN-B		GS20X series main cooling fan, replacement	60x60x25 mm	12VDC
GS21-11P0 GS21-22P0 GS21-23P0 GS23-23P0 GS23-25P0 GS23-43P0 GS23-45P0 GS23-53P0 GS23-55P0	GS20A-FAN-C		GS20 series main cooling fan, replacement.	50x50x20 mm	12VDC
GS23X-27P5 GS23X-47P5 GS23X-4010	GS20XA-FAN-C		GS20X series main cooling fan, replacement	60x60x25 mm	12VDC
GS23-27P5 GS23-47P5 GS23-4010 GS23-57P5 GS23-5010	GS20A-FAN-D		GS20 series main cooling fan, replacement.	60x60x25 mm	12VDC
GS23-2010 GS23-2015 GS23-4015 GS23-4020	GS20A-FAN-E		GS20 series main cooling fan, replacement.	92x92x28 mm	12VDC
GS23-2020 GS23-4025 GS23-4030	GS20A-FAN-F		GS20 series main cooling fan, replacement.	92x92x38 mm	12VDC
* These fans are included with the GS20(X) drive, and also available separately as spare or replacement components. Electrical connectors are included.					



Example GS20A replacement Fan

GS4/GS20(X) Accessories – Software

GSoft2 Drive Configuration Software

Optional Accessory Software Applicable Only to GS4 and GS20(X) AC Drives

GSoft2 Drive Configuration Software – Available for *FREE* Download

GS20(X) DURAPULSE Drives GSOFT2 Drive Configuration Software			
Part Number	Price*	Description	For GS Drive
GSOFT2		Drive Configuration Software for GS4 and GS20(X) AC drives	GS4 – all GS20(X) – all
USB-485M		PC adapter, USB A to RS-485 (RJ45/RJ12).	GS4
USB-CBL-AB3		Programming cable, USB A to USB B, 3ft cable length.	GS20(X)
* GSOFT2 can be downloaded for <u>free</u> or purchased on USB from AutomationDirect.com (search for GSOFT2).			

GSOFT2 Drive Configuration Software

GSoft2 is the configuration software for the Automation Direct GS4 and GS20(X) family of drives. It is designed to allow you to connect a personal computer to the drive, and perform a variety of functions.

GSoft2 includes an integral help file with software instructions. GSoft2 can be downloaded for free or purchased on USB from AutomationDirect.com (search for GSoft2).

Functions

- Create new drive configurations
- Upload/download drive configurations
- Edit drive configurations
- Archive/store multiple drive configurations on your PC
- Trend drive operation parameters
- Tune the drive PID loop
- View real time key operating parameters
- Start/Stop drive and switch directions, provided drive is set up for remote operation
- View drive faults

Computer System Requirements

GSoft2 will run on PCs that meet the following requirements:

- Windows OS: **7**: 32 & 64 bit, **8**: 32 & 64 bit, **8.1**: 32 & 64 bit, **10**: 64 bit
- Internet Explorer 9.0 or higher (for HTML help support)
- 32 Mb of available memory
- 10 Mb hard drive space
- Available USB port



GS4/GS20(X) Accessories – Software GSLogic PLC Programming Software

Optional Accessory Software Applicable Only to GS4 and GS20(X) AC Drives

GSLOGIC Drive Configuration Software – Available for *FREE* Download

GS20(X) DURAPULSE Drives GSLogic PLC Programming Software			
Part Number	CD Price*	Description	For GS Drive
GSLOGIC		Windows PLC Logic Software for GS4 and GS20(X) AC drives	GS4 - all GS20(X) – all
USB-485M		PC adapter, USB A to RS-485 (RJ45/RJ12).	GS4
USB-CBL-AB3		Programming cable, USB A to USB B, 3ft cable length.	GS20(X)

* GSLOGIC can be downloaded for free or purchased on USB from AutomationDirect.com (search for GSLOGIC).

GS20(X) PLC Summary

The GS4 and GS20(X) drives include a built-in PLC. Programmed in ladder logic, the PLC provides a comprehensive set of instructions and 2,000 (GS20(X)) or 10,000 (GS4) steps of programming capacity. GSLogic PLC software includes a Help File which contains the detailed information needed to use the PLC.

The PLC functionality is included with every GS4 and GS20(X) drive, and can be accessed over communications by external PLCs (over serial Modbus), or by the drive (using built-in PLC instructions). The PLC is perfectly suited for applications where digital and analog I/O requirements are small. For applications with complex PLC programming or large I/O requirements, please consider Click, Productivity, or Do-More/BRX. All of these PLCs can be easily integrated with the GS drive family or PLC. The GS4-KPD keypad is capable of storing multiple PLC programs.

There are two methods for communicating from the PLC to the drive. The first method is to use the WPR and RPR instructions available in the PLC's library. These two instructions can read from or write to any AC drive parameter in the same physical drive. The second method is to use Modbus RTU. The PLC is a Serial Modbus slave only. A Modbus RTU master can communicate with the PLC via serial only; optional communication cards cannot address the PLC. If communication cards (EtherNet/IP or Modbus TCP) are the desired method of communication, the drive includes PLC Buffers parameters that can be used. Simply write the needed information from the PLC into the drive's PLC buffer parameters using the WPR instruction. The Modbus TCP or EtherNet/IP cards can then read the VFD parameters.

GSLogic Introduction

GSLogic is the drive PLC programming software for the AutomationDirect GS4 and GS20(X) family of drives. It is designed to enable you to perform a variety of drive PLC programming functions. Windows editing functions like cut, copy, paste, multiple windows, etc., are supported. GSLogic also provides for register editing, settings, file reading, saving, online monitoring settings, and other convenience functions, such as:

- Upload/download drive PLC program files to the onboard PLC
- Create new drive PLC programs
- Edit drive PLC programs
- Archive/store multiple drive PLC programs on your PC or the GS4-KPD drive keypad

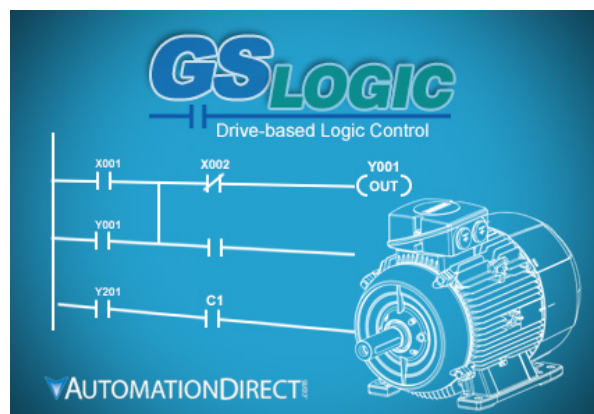
- Control drive PID loops (FPID instructions)
- View in real time all drive PLC registers
- Print drive PLC program files

GSLogic includes an integral help file that includes software instructions, how to use GSLogic, and how to use the GS drive PLC.

GSLogic System Requirements

GSLogic is a Windows-based programming software environment. Please check the following requirements when choosing your PC configuration:

- Windows OS: **7**: 32 & 64 bit, **8**: 32 & 64 bit, **8.1**: 32 & 64 bit, **10**: 64 bit
- SVGA 1024x768 pixels resolution (1280x1024 pixels resolution recommended)
- 300MB free hard-disk space
- RAM: Windows 7 & higher with GUI version 2.0.0.x or higher; RAM = 2GB memory (4GB recommended)
with GUI version 1.10 or lower; RAM = 512MB free RAM (1GB recommended)
- USB Port required for project transfer to drive
- USB-485M serial adapter required (GS4 only)



GS4 and GS20(X) Optional Accessories – External Keypad Mounting Kit / Spare Keypad

Accessories Applicable Only to GS4 and GS20(X) AC Drives

Please refer to the “GS/DURApulse AC Drives – Accessories” section for accessories applicable to multiple families of GS/DURApulse AC Drives,

Keypad (Spare/Replacement)

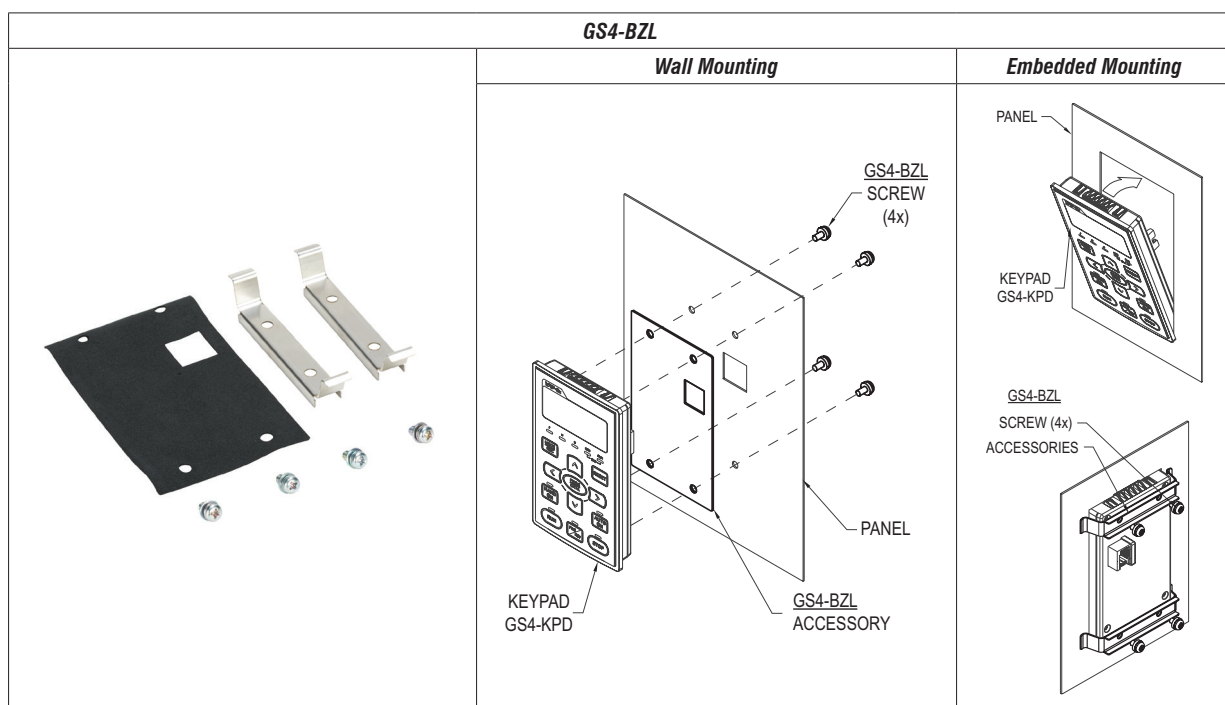
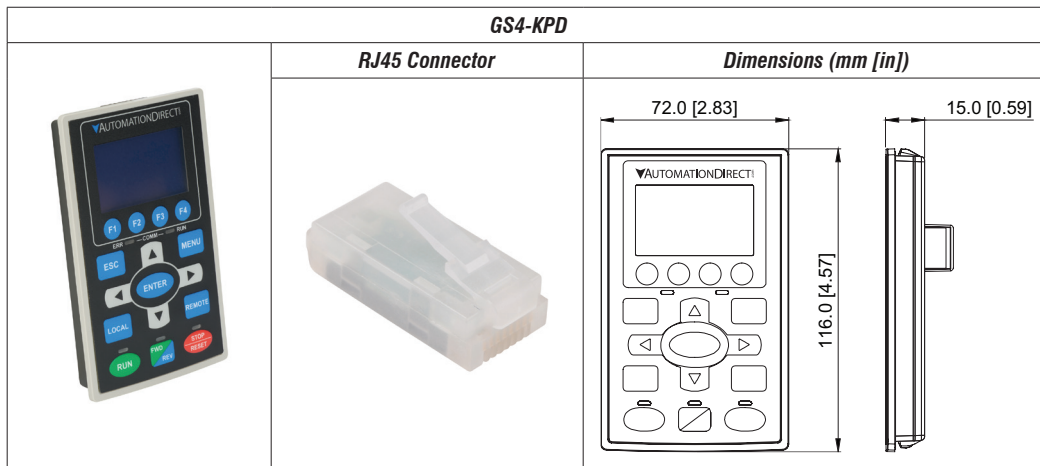
NOTE: The keypad described below is included with the GS4 AC Drive, and is also available for purchase separately as a spare/replacement component for GS4, or an optional upgrade for GS20(X).

Keypad Panel-Mounting Kit

NOTE: The keypad panel-mounting kit described below is an optional accessory that is NOT included with the GS20(X) AC drive.

GS20(X) DURAPULSE Drives Keypad and Keypad Panel-Mounting Kit			
Part Number	Price	Description	For GS Drive
GS4-KPD*		Spare or replacement keypad for GS4 AC drives; optional advanced keypad for GS20(X) drives; includes RJ45 connector; great for maintenance or back-up programs.	GS4 – all GS20(X) – all
GS4-BZL**		Keypad Panel-Mounting Kit for remote surface mounting or embedded mounting of the AC drive removable keypad; hardware included. Use a standard Cat5e RJ45 patch cable (not included) to connect a remote-mounted keypad to the drive. Max cable length for remote-mounted keypad = 5m.	GS4 – all GS20(X) – all

* A keypad is included with each GS4 AC Drive; additional keypads are available for spare/replacement components.
 ** The keypad mounting kit is an optional accessory that is NOT included with the GS4 AC drive; for mounting the keypad remotely from the drive.



GS/DURAPULSE Accessories – Braking Resistors for GS2/GS3/GS4/GS20(X) AC Drives

Overview

Braking resistors are used to increase the control torque of the AC drive, for frequently repeated ON-OFF cycles of the AC drive, or for decelerating a load with large inertia.



FOR GS3 DURAPULSE DRIVE MODELS 20 HP AND ABOVE, A DYNAMIC BRAKING UNIT MUST BE USED IN CONJUNCTION WITH THE BRAKING RESISTOR, AS SHOWN IN THE DURAPULSE AC DRIVE BRAKING UNITS TABLE.

For additional information, please refer to the dynamic braking manual, GS-DB_UMP.



GS-25P0-BR



GS-27P5-BR



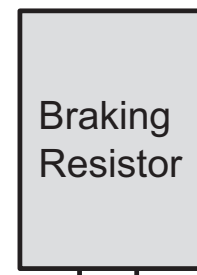
GS-2020-BR-ENC



GS-2020-BR-ENC without Cover



GS2 braking resistor connection;
Refer to user Dynamic Braking user manual GS-DB_UMP for DURAPULSE resistor connection information.



GS/DURAPULSE Drives Accessories –

Braking Resistor Specs for GS2/GS3/GS4/GS20(X) AC Drives

Braking Resistor Specifications				
Part Number	Price	Power (W)	Resistance (Ω)	Type
GS-20P5-BR		80	200	open
GS-21P0-BR		80	200	
GS-22P0-BR		300	100	
GS-23P0-BR		300	70	
GS-25P0-BR		400	40	
GS-27P5-BR		500	30	
GS-2010-BR-ENC		1000	20	enclosed
GS-2015-BR-ENC		2400	13.6	
GS-2020-BR-ENC		3000	10	
GS-2025-BR-ENC		4800	8	
GS-2030-BR-ENC		4800	6.8	
GS-2040-BR-ENC		3000	10	
GS-2050-BR-ENC		4800	8	open
GS-41P0-BR		80	750	
GS-42P0-BR		300	400	
GS-43P0-BR		300	250	
GS-45P0-BR		400	150	
GS-47P5-BR		500	100	
GS-4010-BR		1000	75	enclosed
GS-4015-BR-ENC		1000	50	
GS-4020-BR-ENC		1500	40	
GS-4025-BR-ENC		4800	32	
GS-4030-BR-ENC		4800	27.2	
GS-4040-BR-ENC		6000	20	
GS-4050-BR-ENC		9600	16	
GS-4060-BR-ENC		9600	13.6	
GS-4075-BR-ENC		6000	20	
GS-4100-BR-ENC		9600	13.6	
GS-BR-080W200		80	200	open
GS-BR-080W750		80	750	
GS-BR-200W091		200	91	
GS-BR-200W360		200	360	
GS-BR-300W070		300	70	
GS-BR-300W250		300	250	
GS-BR-400W040		400	40	
GS-BR-400W150		400	150	
GS-BR-1K0W4P3		1000	4.3	
GS-BR-1K0W5P1		1000	5.1	
GS-BR-1K0W016		1000	16	
GS-BR-1K0W020		1000	20	
GS-BR-1K0W075		1000	75	
GS-BR-1K2W3P9		1200	3.9	
GS-BR-1K2W015		1200	15	
GS-BR-1K5W3P3		1500	3.3	
GS-BR-1K5W012		1500	12	
GS-BR-1K5W013		1500	13	
GS-BR-1K5W043		1500	43	