

GS3 DURAPULSE Accessories – Feedback Card

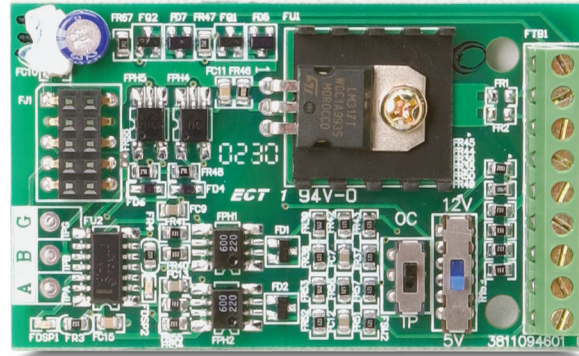
Feedback Card for DURApulse AC Drives

Part Number	Price	Drive Model
GS3-FB		GS3-xxxx

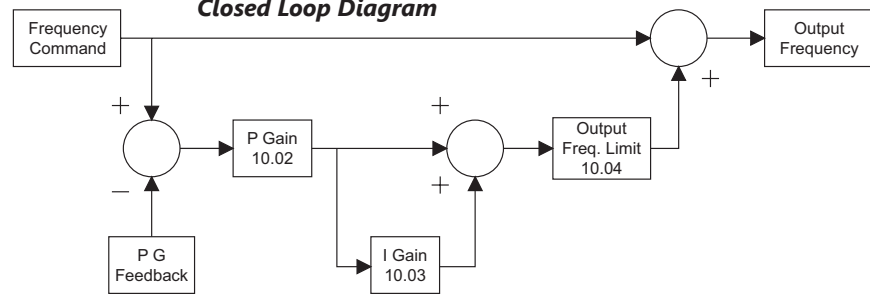
The GS3-FB feedback card is for use only with DURAPULSE AC drives.

Description

The GS3-FB card is used to add another layer of precision control to the already precise control algorithm utilized in the DURAPULSE drive series. This added control is activated by selecting control modes V/Hz closed loop control or sensorless vector with external feedback. The feedback mechanism uses pulses generated by an external encoder or pulse generator. Unlike other feedback types, the GS3-FB accommodates the four most common encoder signal types: output voltage, open collector, line driver, and complimentary.



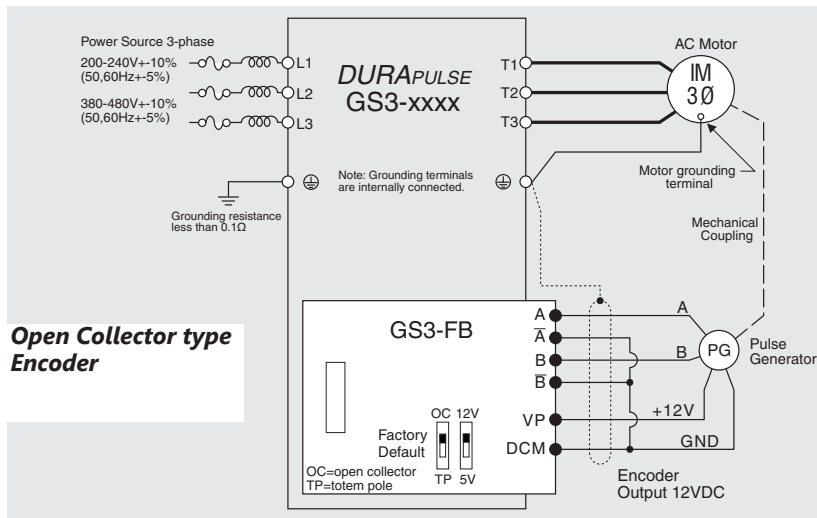
Closed Loop Diagram



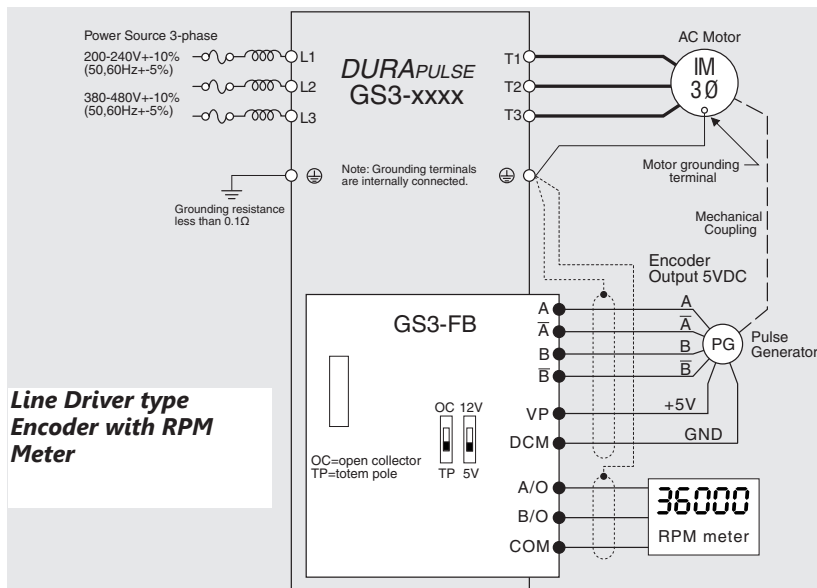
Types of Encoders		SW1 and SW2 switches	
		5V	12V
Output Voltage			
Open collector			
Line driver			
Complimentary			

GS3 DURAPULSE Accessories – Feedback Card

Wiring Diagrams



Terminal Symbols	Description
VP	Power source of GS3-FB (SW1 can be switched to 12V or 5V) Output Voltage: (+12VDC $\pm 5\%$ 200mA) or (+5VDC $\pm 2\%$ 400mA)
DCM	Power source (VP) and input signal (A, B) common
A, NOT A B, NOT B	Input signal from Encoder. Input type is selected by SW2; Maximum 500kp/sec
A/O, B/O	GS3-FB output signal for use with RPM Meter. (Open Collector) Maximum DC24V 100mA
COM	GS3-FB output signal (A/O, B/O) common



Control Terminals Block Designations

