







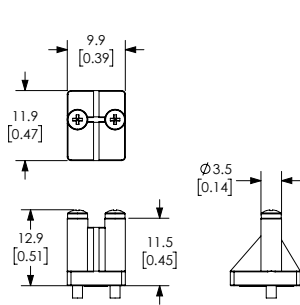
Pneumatic GVP Series Miniature Solenoid Manifold Accessories



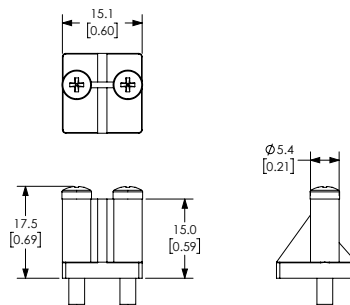
Nitra Pneumatic GVP Series Miniature Solenoid Valve Manifold Accessories				
Item	Part No.	Description	Price	Weight (lbs)
	GM-31BP	NITRA blanking plate, nylon. For use with GM-31 series manifolds. Gasket and mounting screws included.		0.05
	GM-32BP	NITRA blanking plate, nylon. For use with GM-32 series manifolds. Gasket and mounting screws included.		0.05
	GSC-300	NITRA solenoid valve cable, miniature pin plug to pigtail, 11.8in/300mm cable length. For use with GVP series solenoid valves.		0.05
	GSC-500	NITRA solenoid valve cable, miniature pin plug to pigtail, 19.6in/500mm cable length. For use with GVP series solenoid valves.		0.05

Dimensions

mm [inches]



Part No. GM-31BP



Part No. GM-32BP

See our website for complete Engineering drawings.