



FR-827

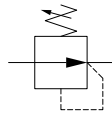
HydroMode™ FR Series Food Grade Regulators are compact units that provide economical, high performance pressure regulation of drinkable water. The highly sensitive diaphragm-operated design delivers accurate downstream pressure and the molded rubber supply valve provides precise regulation while helping to prevent leakage. Materials in contact with water are approved by National Sanitation Foundation (NSF) or the Food and Drug Administration (FDA) for use in potable water systems. All elastomers used in their construction are food grade.

Features

- NSF electrodeposited chromium plated zinc body
- FDA acetal bonnet, valve seat
- Food grade nitrile/nylon diaphragm, O-ring
- Lead-free brass and food grade nitrile valve plug
- Mounting by pipe or bracket and panel mountable (with optional panel nut)
- (2) 1/8" NPT gauge ports
- 1/8" and 1/4" NPT ports
- Made in the USA



Mounting bracket not included.



Regulator

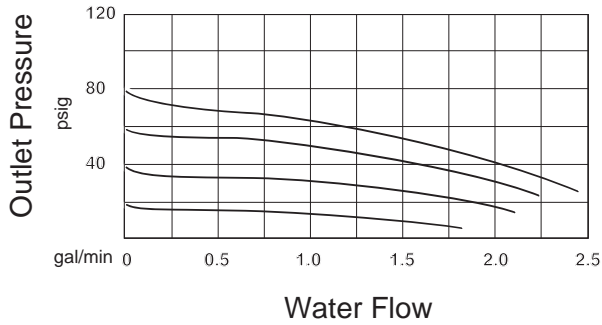
FR Series Regulators							
Part No.	Price	Weight (lbs)	Port Size (FNPT)	Fluid	Flow Capacity	Operating Pressure	Maximum Supply Pressure
FR-817		0.4	1/8"	Water	2.2 gal/min	0-100 psi (0-0.69 MPa) (0-6.9 bar)	150psi (1.03 MPa) (10.5 bar)
FR-827		0.4	1/4"				

Note: A filter (40 micron or less) is recommended ahead of regulator.

Performance Charts

FR-X

1/4" NPT Port, 0-100 psig Range, 100 psig Supply;
Flows for Outputs of 20, 40, 60, & 80 psig

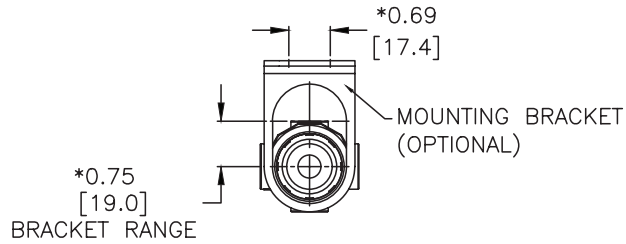


Dimensions

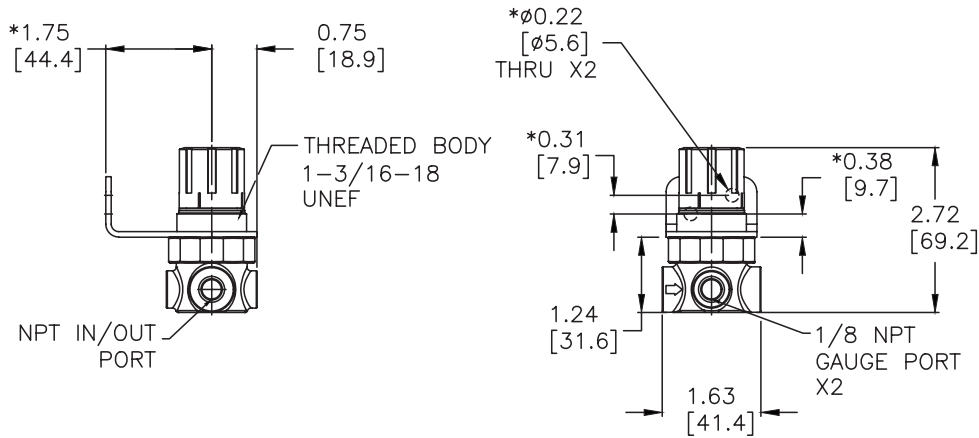
Inches [mm]

FR-X

PART NUMBER	INLET/OUTLET PORT
FR-817	1/8 NPT
FR-827	1/4 NPT



*DIMENSIONS WITH OPTIONAL BRACKET



FBKT-8

Food Grade FR Series Accessories				
Part No.	Price	Description	Material	Weight (lbs)
FBKT-8		NITRA mounting bracket. For use with FR-8 series air prep components.	Plated Steel	0.1
FN-8		NITRA panel nut, 1-3/16-18 UNEF threads. For use with FR-8 series air prep components.	Acetal	0.1