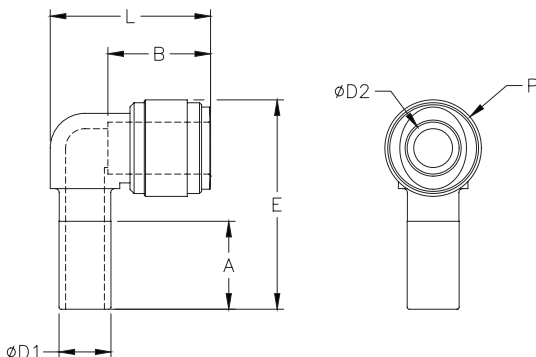




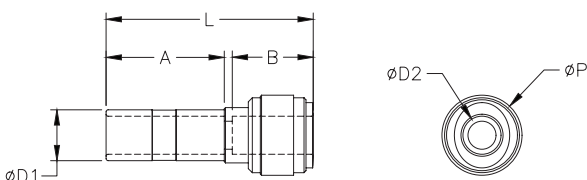
# Potable Water Push-to-Connect Fittings

HydroMode push-to-connect plug in elbow fitting with acetel body and synthetic rubber o-ring. For use with polyethylene and other flexible tubing. Five fittings per package.



HydroMode™ Plug In Elbow											
Inch Sizes - dimensions in millimeters (mm) unless otherwise noted											
Part No.	Price	Size (inch)	ØD1 (inch)	ØD2 (inch)	P	A	B	E	L	Package Weight (lbs)	Qty. per pack
PE532-P		5/32 in. x 5/32 in.	5/32	5/32	13.2	18.0	14.7	30.1	21.9	0.1	5
PE14-P		1/4 in. x 1/4 in.	1/4	1/4	15.5	21.0	16.9	34.8	25.1	0.1	5
PE516-P		5/16 in. x 5/16 in.	5/16	5/16	17.6	22.5	17.5	38.3	27.7	0.1	5
PE38-14-P		3/8 in. x 1/4 in.	3/8	1/4	15.5	24.8	16.9	38.6	25.1	0.1	5
PE38-516-P		3/8 in. x 5/16 in.	3/8	5/16	20.0	24.8	17.5	43.2	31.0	0.1	5
PE38-P		3/8 in. x 3/8 in.	3/8	3/8	20.0	24.8	20.2	43.2	31.4	0.1	5
PE12-P		1/2 in. x 1/2 in.	1/2	1/2	23.6	29.5	25.1	51.2	39.2	0.1	5

HydroMode push-to-connect plug in reducer fitting with acetel body and synthetic rubber o-ring. For use with polyethylene and other flexible tubing. Five fittings per package.



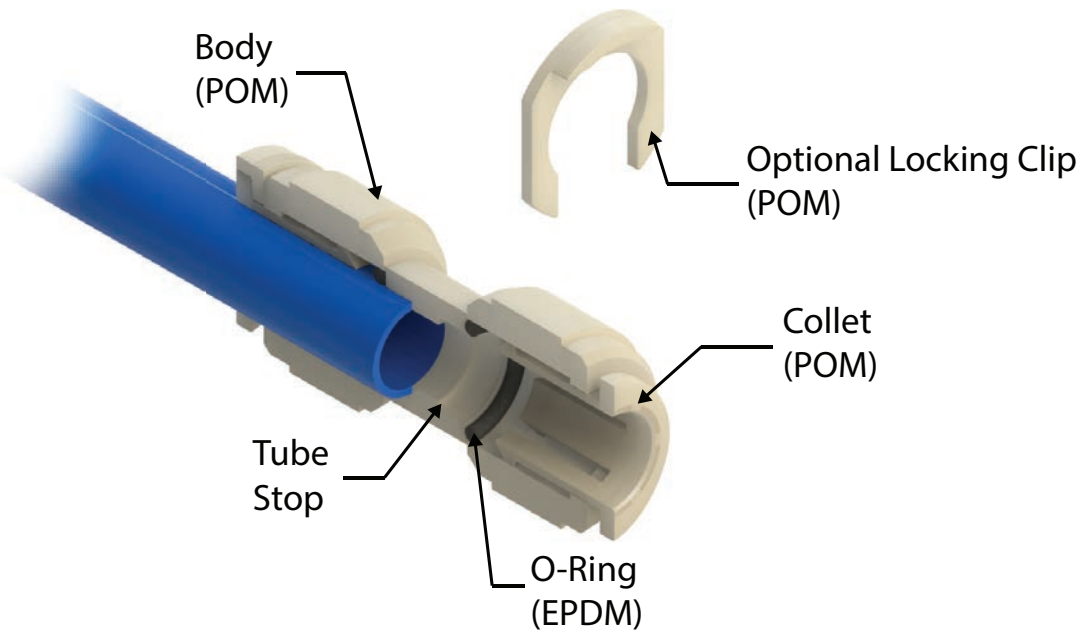
HydroMode™ Plug In Reducer										
Inch Sizes - dimensions in millimeters (mm) unless otherwise noted										
Part No.	Price	Size (inch)	ØD1 (inch)	ØD2 (inch)	ØP	L	A	B	Package Weight (lbs)	Qty. per pack
PR14-532-P		1/4 in. x 5/32 in.	1/4	5/32	13.2	36.7	21.0	14.7	0.1	5
PR516-14-P		5/16 in. x 1/4 in.	5/16	1/4	15.5	40.6	22.5	16.9	0.1	5
PR38-14-P		3/8 in. x 1/4 in.	3/8	1/4	17.6	43.9	24.8	16.9	0.1	5
PR38-516-P		3/8 in. x 5/16 in.	3/8	5/16	17.6	44.3	24.8	17.5	0.1	5
PR12-38-P		1/2 in. x 3/8 in.	1/2	3/8	20.0	51.7	29.5	20.2	0.1	5

# HydroMode™ Potable Water Push-to-Connect Fittings

HydroMode push-to-connect fittings are designed to work with potable water and beverages. Installing or removing flexible tubing is quick and easy. All fittings are made of NSF approved materials with NSF-51® and NSF-61® certifications. The body and collet of the fittings are made from polyoxymethylene (POM) also known as acetal, while the o-rings are made from ethylene propylene diene monomer (EPDM) which is a type of synthetic rubber.

## Features

- Designed for potable water and beverages
- NSF-51 and NSF-61 certified
- Easy tubing installation and removal
- Optional retaining clips prevent accidental tube removal
- Fittings rated for up to 145psi at 70°C (158°F)



*Push-to-Connect Fitting  
Cut-away Diagram*