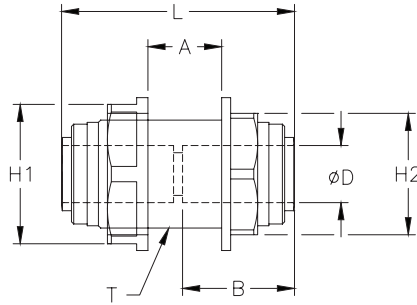


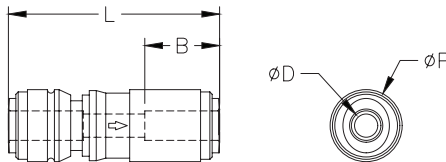
# HydroMode™ Potable Water Push-to-Connect Fittings

HydroMode push-to-connect bulkhead union fitting with acetel body and synthetic rubber o-ring. For use with polyethylene and other flexible tubing. Five fittings per package.



HydroMode™ Bulkhead Union											
<i>Inch Sizes - dimensions in millimeters (mm) unless otherwise noted</i>											
Part No.	Price	Size (inch)	ØD (inch)	T	L	A	B	H1	H2	Package Weight (lbs)	Qty. per pack
UB532-P		5/32 in. x 5/32 in.	5/32	M15*1.5P	31.4	7.2	14.7	17.0	18.0	0.1	5
UB14-P		1/4 in. x 1/4 in.	1/4	M17*1.5P	34.2	7.9	16.9	19.0	21.0	0.1	5
UB516-P		5/16 in. x 5/16 in.	1/4	M24*1.75P	47.9	11.1	16.9	24.0	28.5	0.2	5
UB38-14-P		3/8 in. x 1/4 in.	5/16	M20*1.75P	38.5	9.4	17.5	21.0	25.5	0.2	5
UB38-P		3/8 in. x 3/8 in.	3/8	M24*1.75P	42.4	10.8	20.2	24.0	28.5	0.2	5
UB12-P		1/2 in. x 1/2 in.	1/2	M27*2.0P	51.8	16.4	25.1	27.0	31.0	0.3	5

HydroMode push-to-connect union check valve fitting with acetel body and synthetic rubber o-ring. For use with polyethylene and other flexible tubing. Five fittings per package.



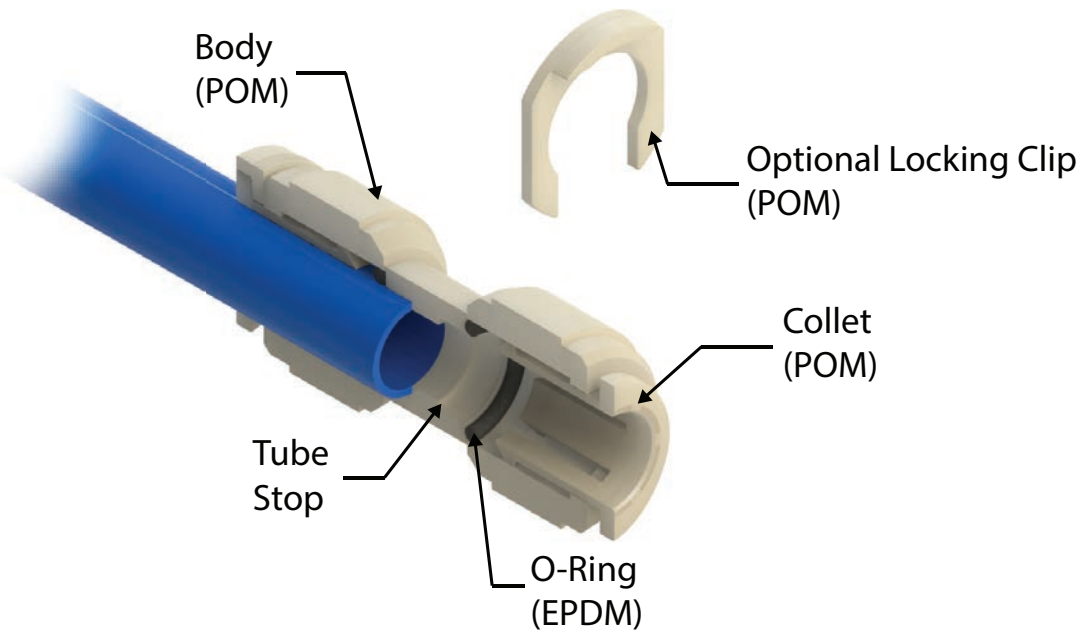
HydroMode™ Union Check Valve								
<i>Inch Sizes - dimensions in millimeters (mm) unless otherwise noted</i>								
Part No.	Price	Size (inch)	ØD (inch)	ØP	L	B	Package Weight (lbs)	Qty. per pack
CVU14-P		1/4 in. x 1/4 in.	1/4	15.5	45.5	16.1	0.1	2
CVU516-P		5/16 in. x 5/16 in.	5/16	17.6	48.6	17.5	0.1	2
CVU38-P		3/8 in. x 3/8 in.	3/8	20.0	57.8	19.4	0.1	2
CVU12-P		1/2 in. x 1/2 in.	1/2	23.6	67.9	24.1	0.1	2

# HydroMode™ Potable Water Push-to-Connect Fittings

HydroMode push-to-connect fittings are designed to work with potable water and beverages. Installing or removing flexible tubing is quick and easy. All fittings are made of NSF approved materials with NSF-51® and NSF-61® certifications. The body and collet of the fittings are made from polyoxymethylene (POM) also known as acetal, while the o-rings are made from ethylene propylene diene monomer (EPDM) which is a type of synthetic rubber.

## Features

- Designed for potable water and beverages
- NSF-51 and NSF-61 certified
- Easy tubing installation and removal
- Optional retaining clips prevent accidental tube removal
- Fittings rated for up to 145psi at 70°C (158°F)



*Push-to-Connect Fitting  
Cut-away Diagram*