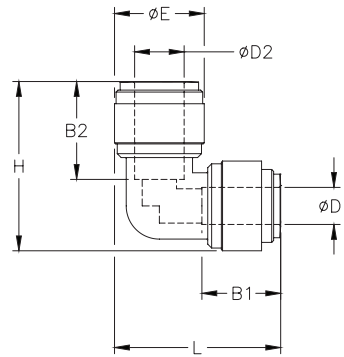


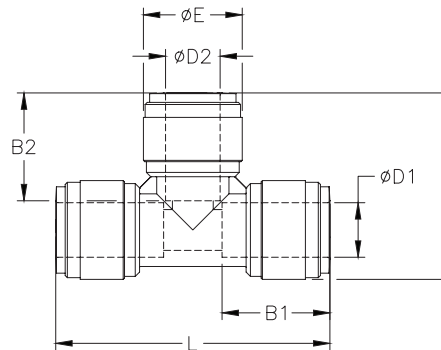
# HydroMode™ Potable Water Push-to-Connect Fittings

HydroMode push-to-connect union reducing elbow fitting with acetel body and synthetic rubber o-ring. For use with polyethylene and other flexible tubing. Five fittings per package.



HydroMode™ Union Reducing Elbow											
Inch Sizes - dimensions in millimeters (mm) unless otherwise noted											
Part No.	Price	Size (inch)	ØD1 (inch)	ØD2 (inch)	B1	B2	ØE	L	H	Package Weight (lbs)	Qty. per pack
URL516-14-P		5/16 in. x 1/4 in.	5/16	1/4	17.5	16.9	17.6	30.7	30.3	0.1	5
URL38-516-P		3/8 in. x 5/16 in.	3/8	5/16	20.2	17.3	20.0	35.9	35.5	0.1	5
URL12-38-P		1/2 in. x 3/8 in.	1/2	3/8	25.1	20.2	23.0	43.4	42.6	0.2	5

HydroMode push-to-connect union tee fitting with acetel body and synthetic rubber o-ring. For use with polyethylene and other flexible tubing. Five fittings per package.



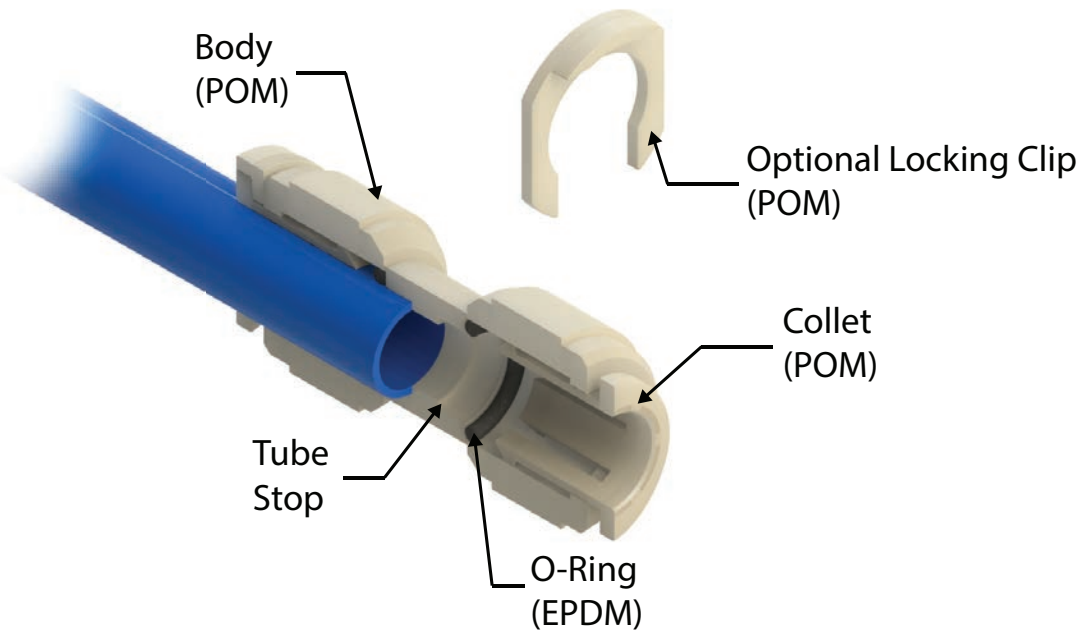
HydroMode™ Union Tee											
Inch Sizes - dimensions in millimeters (mm) unless otherwise noted											
Part No.	Price	Size (inch)	ØD1 (inch)	ØD2 (inch)	B1	B2	ØE	H	L	Package Weight (lbs)	Qty. per pack
UT532-P		5/32 in.	5/32	5/32	14.7	14.7	13.2	24.5	35.8	0.1	5
UT14-P		1/4 in.	1/4	1/4	16.9	16.9	15.5	28.8	42.0	0.1	5
UT516-P		5/16 in.	5/16	5/16	17.5	17.5	17.6	30.7	43.8	0.1	5
UT38-P		3/8 in.	3/8	3/8	20.2	20.2	20.0	35.9	51.8	0.2	5
UT12-P		1/2 in.	1/2	1/2	25.1	25.1	23.0	43.4	63.8	0.2	5

# HydroMode™ Potable Water Push-to-Connect Fittings

HydroMode push-to-connect fittings are designed to work with potable water and beverages. Installing or removing flexible tubing is quick and easy. All fittings are made of NSF approved materials with NSF-51® and NSF-61® certifications. The body and collet of the fittings are made from polyoxymethylene (POM) also known as acetal, while the o-rings are made from ethylene propylene diene monomer (EPDM) which is a type of synthetic rubber.

## Features

- Designed for potable water and beverages
- NSF-51 and NSF-61 certified
- Easy tubing installation and removal
- Optional retaining clips prevent accidental tube removal
- Fittings rated for up to 145psi at 70°C (158°F)



*Push-to-Connect Fitting  
Cut-away Diagram*