

IDEM IDIS Interlock Safety Switches

IDIS Series Housing

- Tongue (key) (IDIS-1) or lever hinge (IDIS-2) interlock operated
- 90 degree adjustable head
- One 1/2 in. NPT female conduit opening
- 22 mm mounting profile
- Standard and compact housings
- Force guided NC contacts
- Purchase actuating key separately (See accessories)

See electrical specifications later in this section.

IDEM IDIS-1 Tongue (Key) Interlock Safety Switches							
Part Number	Price	Body Material	Head Material	Weight (lbs)	Actuator Travel / Force for Positive Opening	Contact Configuration	Dimensions
IDIS-190051		Plastic	Plastic	0.35	6mm/12N	1 N.O., 2 N.C. Slow action	Figure 1
IDIS-190055						3 N.C. Slow action	Figure 1
IDIS-190059						1 N.O., 1 N.C. Snap action	Figure 1

[IDIS-190051](#)



IDEM IDIS-2 Hinge Interlock Safety Switches							
Part Number	Price	Body Material	Head Material	Weight (lbs)	Actuator Rotation / Force for Positive Opening	Contact Configuration	Dimensions
IDIS-192002		Plastic	Plastic	0.35	7 degrees / 0.5N	1 N.O., 2 N.C. Slow action	Figure 2
IDIS-192005						3 N.C. Slow action	Figure 2
IDIS-192008						1 N.O., 1 N.C. Snap action	Figure 2

[IDIS-192002](#)



Dimensions

mm [in]

Figure 1

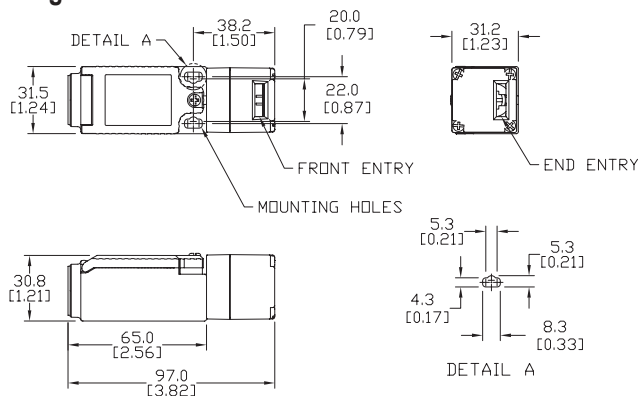
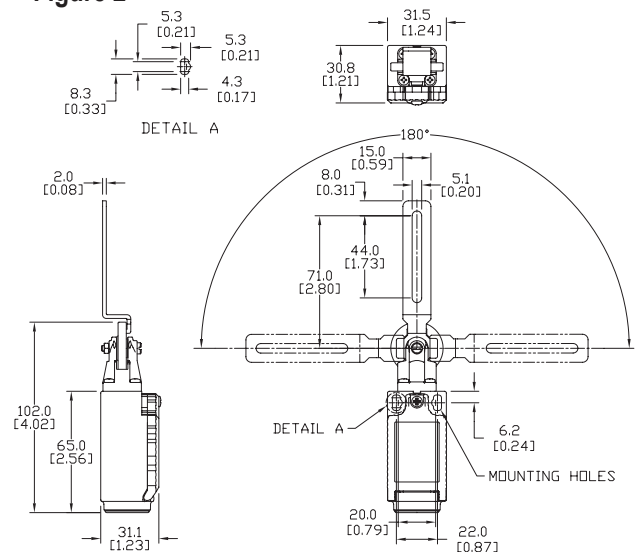



Figure 2



IDEM KM/KM-SS Interlock Safety Switches

KM/KM-SS Series Housing

- Tongue (key) interlock operated
- 90 degree adjustable head
- 8 actuator entry positions
- One 1/2 in. NPT female conduit opening
- Force guided NC contacts 

- 30 mm mounting profile
- Aluminum and 316 stainless steel options available
- Includes one tamper-proof T20 Torx bit
- Purchase actuating key separately. (See accessories)

See electrical specifications later in this section.



IDEM KM /KM-SS Interlock Safety Switches							
Part Number	Price	Body Material	Head Material	Weight (lbs)	Actuator Travel / Force for Positive Opening	Contact Configuration	Dimensions
KM-203002		Die-cast aluminum	Die-cast aluminum	0.92	6mm/12N	1 N.O., 2 N.C. Slow action	Figure 1
KM-203008		Die-cast aluminum	Die-cast aluminum	0.92	6mm/12N	1 N.O., 3 N.C. Slow action	Figure 1
KM-203011		Die-cast aluminum	Die-cast aluminum	0.92	6mm/12N	2 N.O., 2 N.C. Slow action	Figure 1
KM-203002-SS		Die-cast aluminum	316 stainless steel	1.1	6mm/12N	1 N.O., 2 N.C. Slow action	Figure 2
KM-203011-SS		Die-cast aluminum	316 stainless steel	1.1	6mm/12N	2 N.O., 2 N.C. Slow action	Figure 2
KM-SS-204002		316 stainless steel	316 stainless steel	1.4	6mm/12N	1 N.O., 2 N.C. Slow action	Figure 2
KM-SS-204011		316 stainless steel	316 stainless steel	1.4	6mm/12N	2 N.O., 2 N.C. Slow action	Figure 2

Dimensions

mm [in]

Figure 1

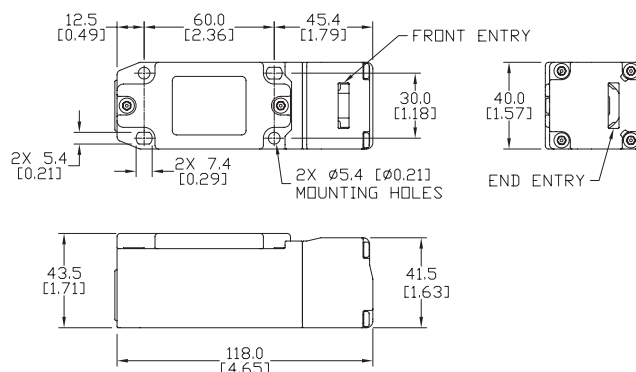
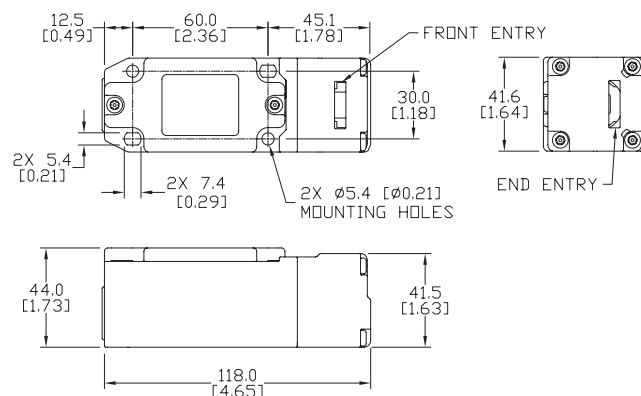



Figure 2



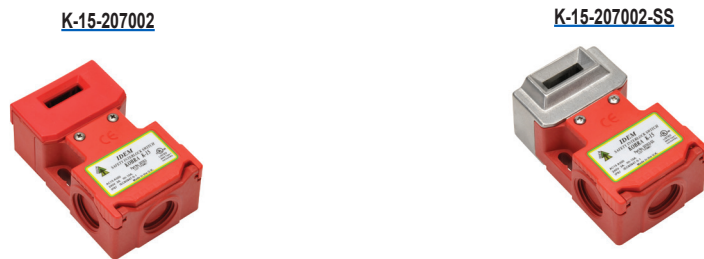
IDEM KP/K-SS and K-15 Interlock Safety Switches

KP/K-SS and K-15 Series Housing

- Tongue (key) interlock operated
 - 180 degree adjustable head
 - 4 actuator entry positions
 - Three 1/2 in. NPT female conduit openings
 - Force guided NC contacts 
 - 40 mm mounting profile
 - Purchase actuating key separately. (See accessories.)
- See electrical specifications later in this section.**



IDEM KP/K-SS Interlock Safety Switches							
Part Number	Price	Body Material	Head Material	Weight (lbs)	Actuator Travel/Force for Positive Opening	Contact Configuration	Dimensions
<u>KP-200002</u>		Plastic	Plastic	0.7	6mm/12N	1 N.O., 2 N.C. Slow action	Figure 1
<u>KP-200008</u>						1 N.O., 3 N.C. Slow action	Figure 1
<u>KP-200011</u>						2 N.O., 2 N.C. Slow action	Figure 1
<u>KP-200002-SS</u>						316 stainless steel	0.85
<u>KP-200011-SS</u>		Plastic	316 stainless steel	0.85	6mm/12N	2 N.O., 2 N.C. Slow action	Figure 2
<u>K-SS-208002</u>		316 stainless steel	1.63	1 N.O., 2 N.C. Slow action		Figure 3	
<u>K-SS-208011</u>		316 stainless steel	316 stainless steel	1.63	6mm/12N	2 N.O., 2 N.C. Slow action	Figure 3



IDEM K-15 Interlock Safety Switches							
Part Number	Price	Body Material	Head Material	Weight (lbs)	Actuator Travel / Force for Positive Opening	Contact Configuration	Dimensions
<u>K-15-207002</u>		Plastic	Plastic	0.66	6mm/12N	1 N.O., 2 N.C. Slow action	Figure 4
<u>K-15-207005</u>						3 N.C. Slow action	Figure 4
<u>K-15-207002-SS</u>			316 Stainless Steel	0.8		1 N.O., 2 N.C. Slow action	Figure 5
<u>K-15-207005-SS</u>						3 N.C. Slow action	Figure 5

IDEM KP/K-SS and K-15 Interlock Safety Switches

Dimensions

mm [in]

Figure 1

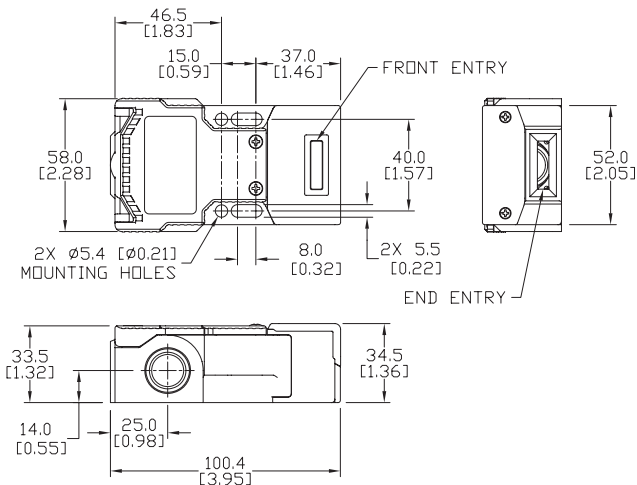


Figure 2

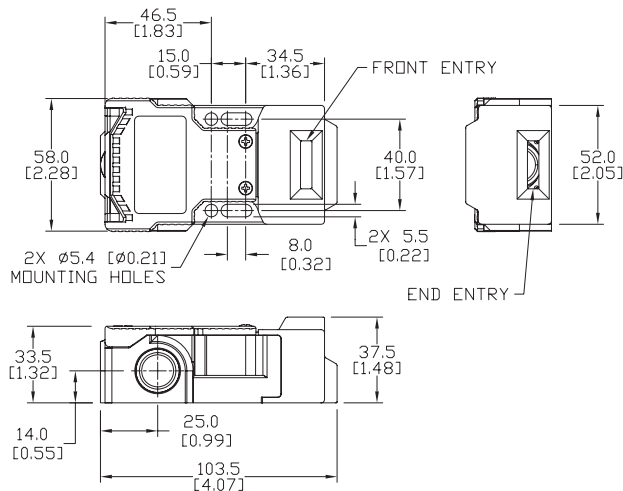


Figure 3

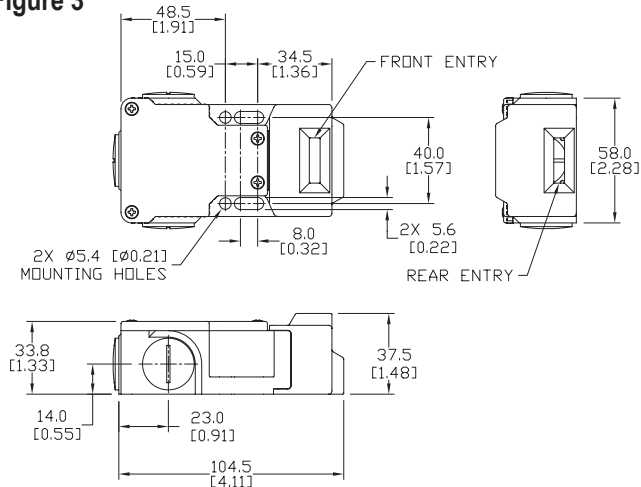


Figure 4

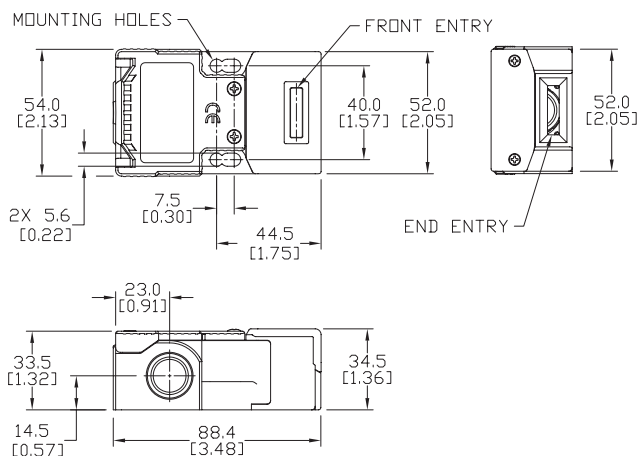
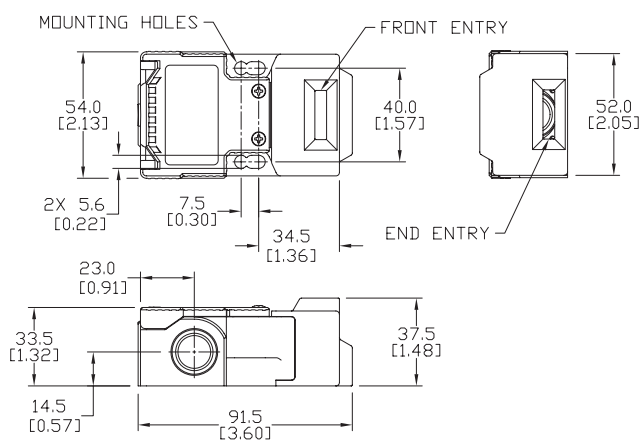


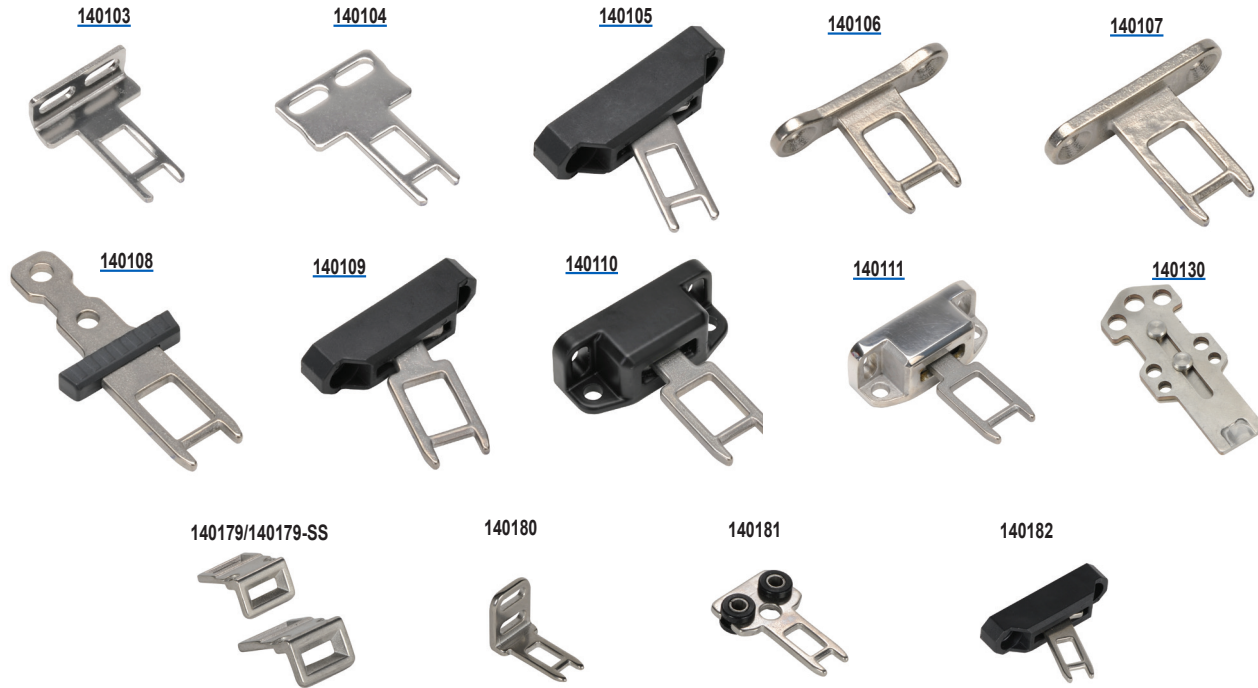
Figure 5



IDEM Interlock Safety Accessories

Actuator Keys

- 14 available keys
- All keys are 316 stainless steel
- Flexible key options available



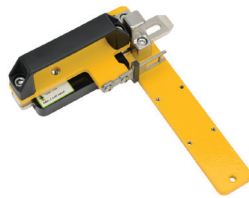
IDEM Interlock Safety Switch Actuator Tongue (Keys)											
Part Number	Price	Description	Use with:					Weight (lb)	Minimum Entry Radius	Dimensions	
			IDIS-1	KP/K15	K-SS/KM/ KM-SS	INCH	MK1				
140103		14.4 mm mounting hole spacing, 90° bent stainless steel key/mounting tab	✓					0.03	175mm	Figure 1	
140104		14.4 mm mounting hole spacing, straight stainless steel key/mounting tab	✓					0.03	175mm	Figure 2	
140105		40mm mounting hole spacing, stainless steel key with polyester flexible mounting tab	✓					0.06	100mm	Figure 3	
140106		40mm mounting hole spacing, 90° stainless steel key/ mounting tab		✓**				0.07	175mm	Figure 4	
140107		40mm mounting hole spacing, 90° stainless steel key/ mounting tab		✓*	✓			0.07	175mm	Figure 5	
140108		20mm mounting hole spacing, straight stainless steel key with plastic stop		✓	✓			0.07	175mm	Figure 6	
140109		40mm mounting hole spacing, stainless steel key with polyester flexible mounting tab		✓	✓			0.10	100mm	Figure 7	
140110		40mm mounting hole spacing, stainless steel key with black-painted aluminum flexible mounting tab		✓	✓			0.16	100mm	Figure 8	
140111		40mm mounting hole spacing, stainless steel key with mirror polished stainless steel flexible mounting tab		✓	✓			0.22	100mm	Figure 9	
140130		IDEM lockout actuator, stainless steel, for use with IDEM tongue (key) switches		✓	✓			0.10	NA	Figure 10	
140179		IDEM key guide, 316 stainless steel. Mounting hardware included. For use with IDEM INCH series safety switches				✓				150mm	Figure 15
140179-SS		IDEM key guide, 316 stainless steel. For use with IDEM MK1 series safety switches					✓				100mm
140180		IDEM actuator tongue (key), 8mm mounting hole spacing, 316 stainless steel, 90 degree mounting tab. For use with IDEM MK1 and INCH series safety switches				✓	✓		Figure 17		
140181		IDEM actuator tongue (key), 15mm mounting hole spacing, 316 stainless steel, straight mounting tab, shock absorbing. For use with IDEM MK1 and INCH series safety switches				✓	✓			Figure 18	
140182		IDEM actuator tongue (key), 40mm mounting hole spacing, 316 stainless steel, flexible mounting tab. For use with IDEM MK1 and INCH series safety switches				✓	✓				

IDEM Interlock Safety Accessories

Accessories

- Gate bolt kits provide a sliding latch and lockout for swinging or sliding doors
- Comes with handle and flat actuator
- Sliding action prevents accidental closure
- Requires four M5 x 45mm mounting hardware (not included)
- Gate bolt kit materials: ABS plastic handle; mild steel yellow plate; aluminum black base; mild steel plated bar (inserts into guide); stainless steel guide and key

GBA-1-210003



GBA-1-210004



GB - 210005



GB - 210006



IDEM Interlock Safety Switch Accessories						
Part Number	Price	Description	Use with:		Weight (lb)	Dimensions
			KM	GBA-1		
<u>GBA-1-210003</u>		IDEM gate bolt, left hand version, for use with KM series safety switches. Includes actuating tongue (key).	✓		3.7	Figure 11
<u>GBA-1-210004</u>		IDEM gate bolt, right hand version, for use with KM series safety switches. Includes actuating tongue (key).	✓		3.7	Figure 12
<u>GB-210005</u>		IDEM rear escape handle, for use with GBA-1 and GBL-1 series gate bolts		✓	0.1	Figure 13
<u>GB-210006</u>		IDEM spring loaded catch, for use with GBA-1 and GBL-1 series gate bolts		✓	0.08	Figure 14

IDEM Interlock Safety Accessories

Dimensions

mm [in]

Figure 1

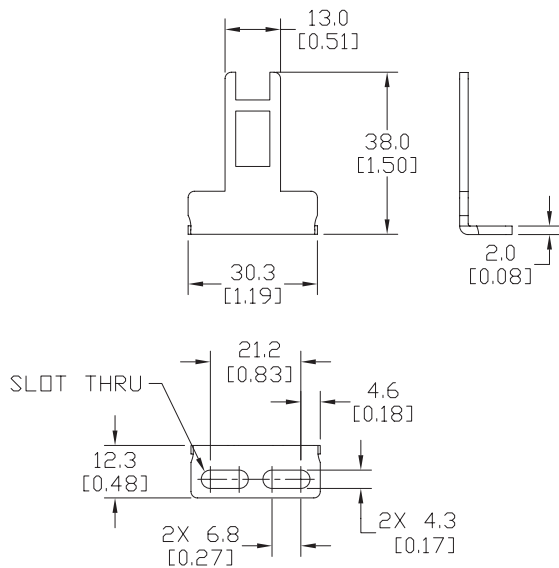


Figure 3

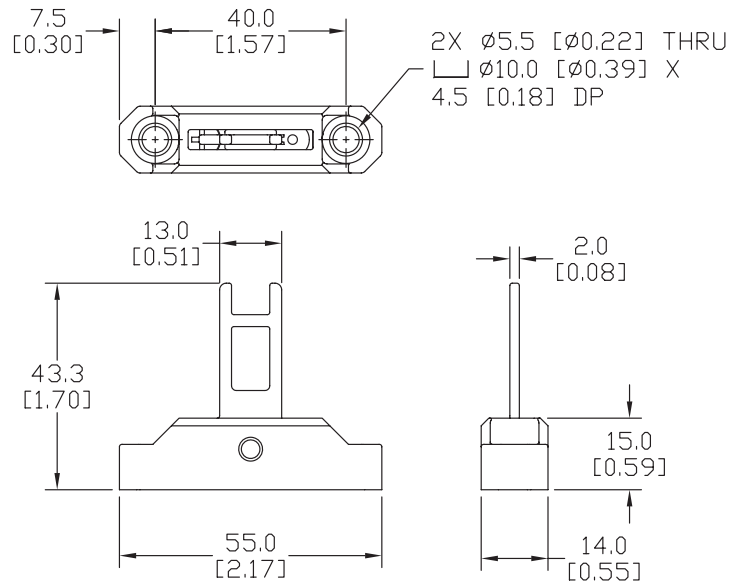


Figure 2

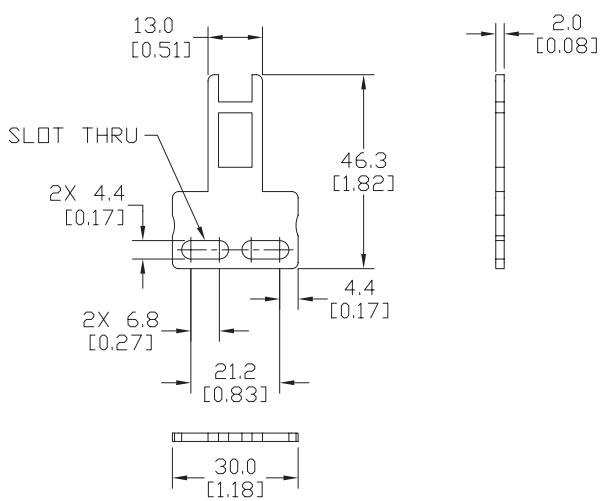
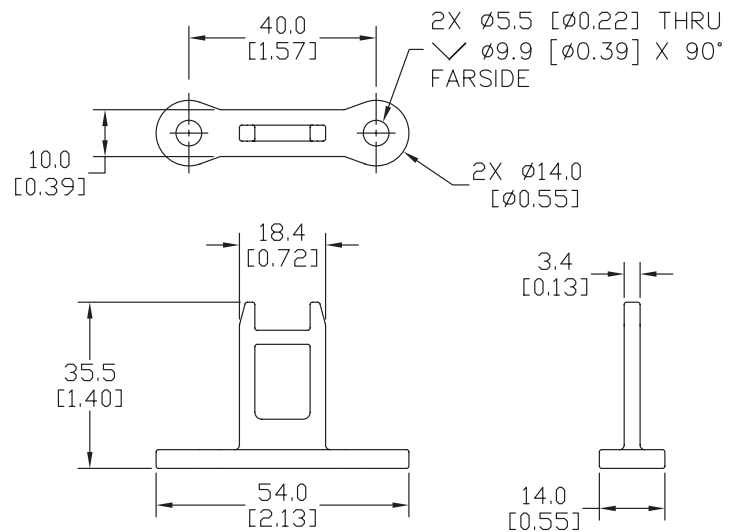


Figure 4



IDEM Interlock Safety Accessories

Dimensions

mm [in]

Figure 5

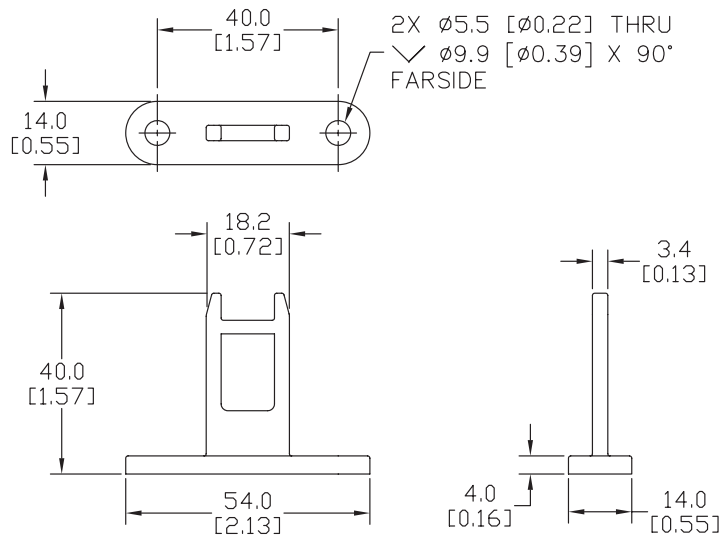
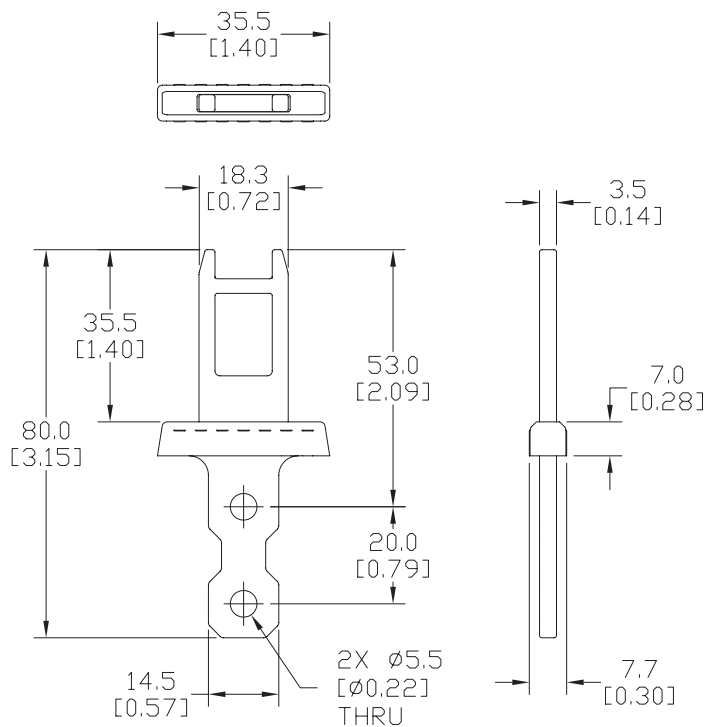


Figure 6



IDEM Interlock Safety Accessories

Dimensions

mm [in]

Figure 7

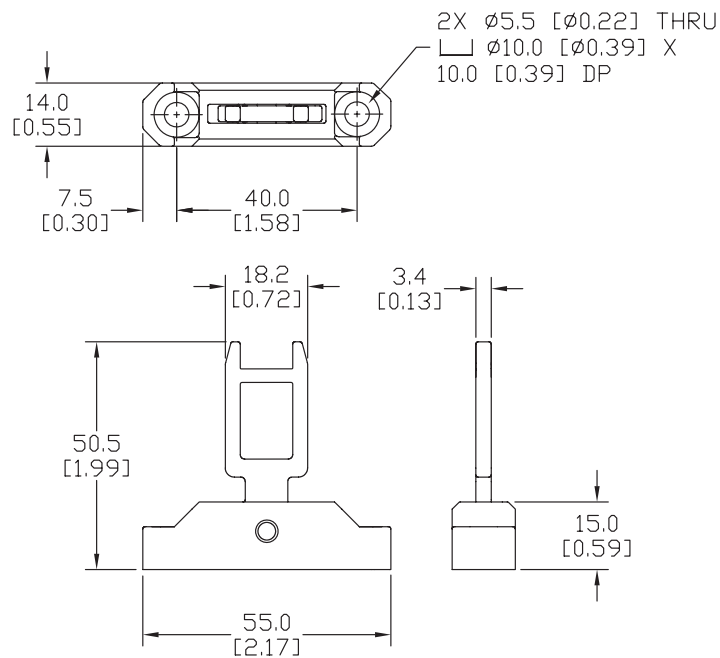
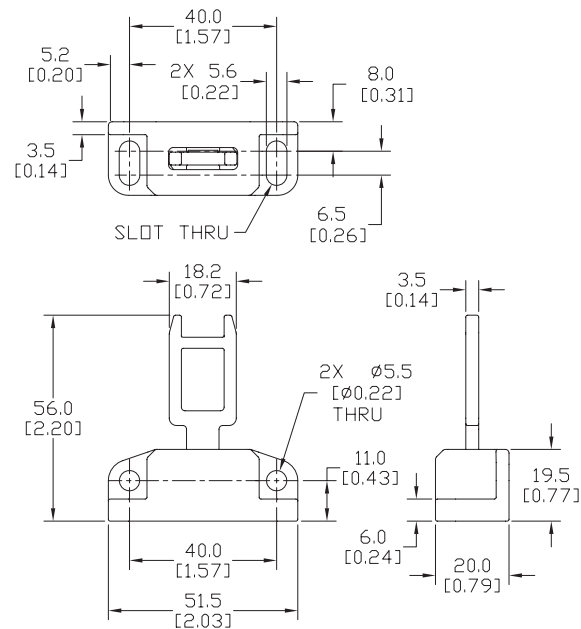


Figure 8



IDEM Interlock Safety Accessories

Dimensions

mm [in]

Figure 9

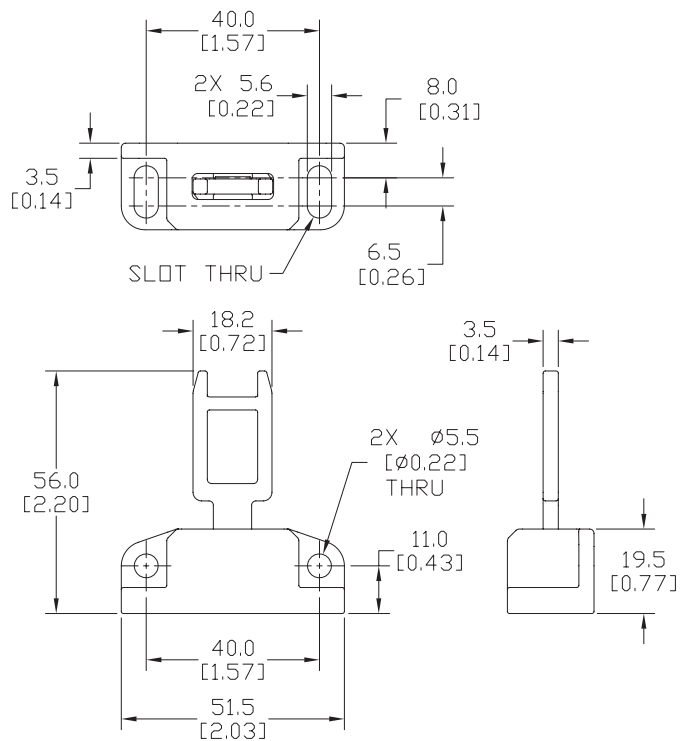
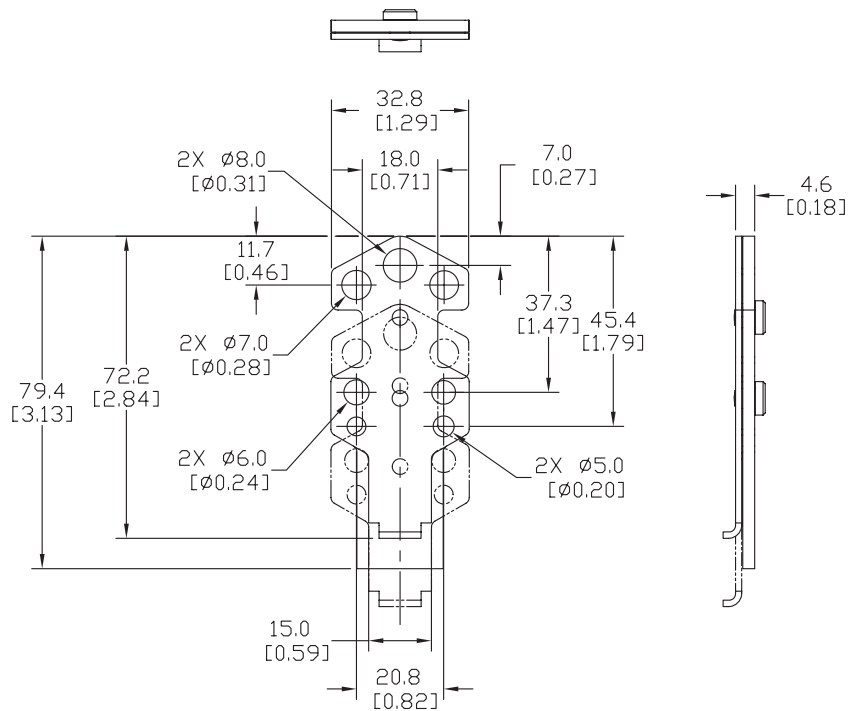


Figure 10



IDEM Interlock Safety Accessories

Dimensions

mm [in]

Figure 11

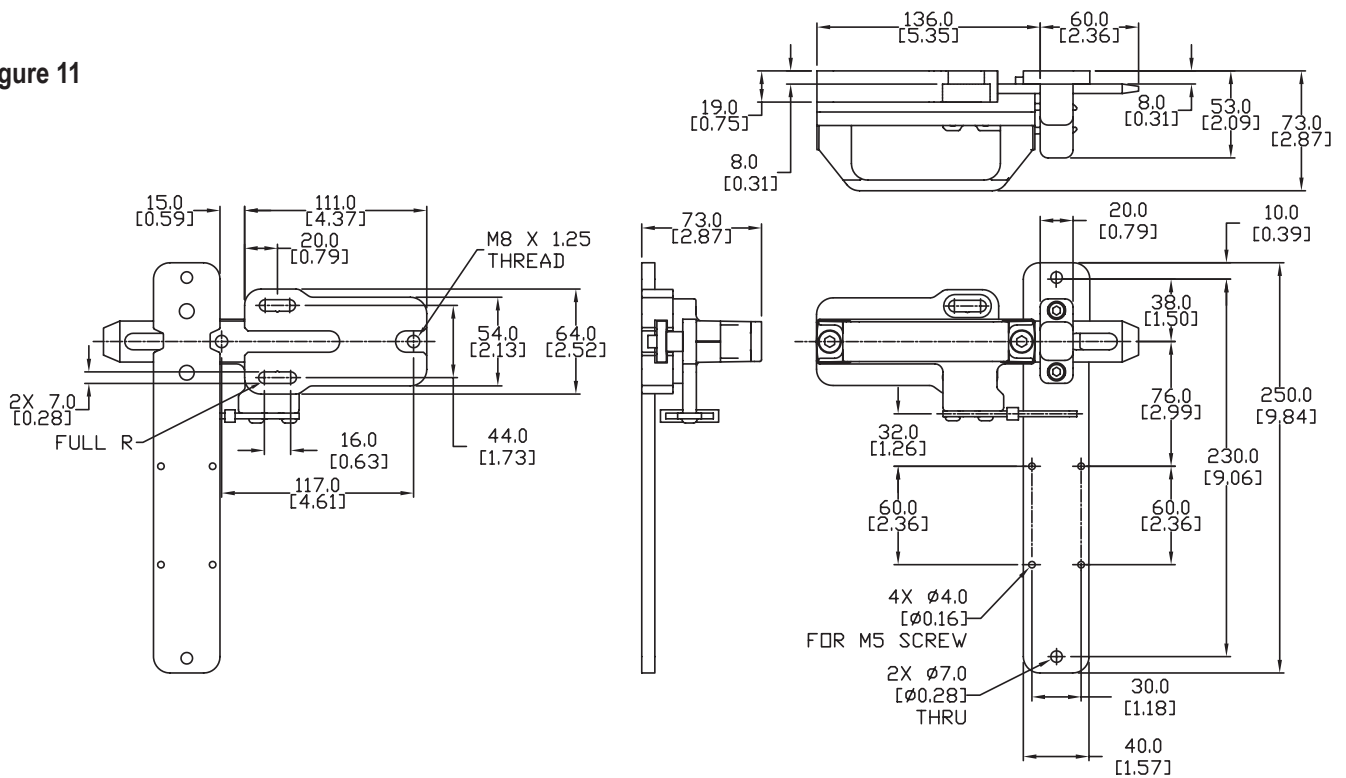
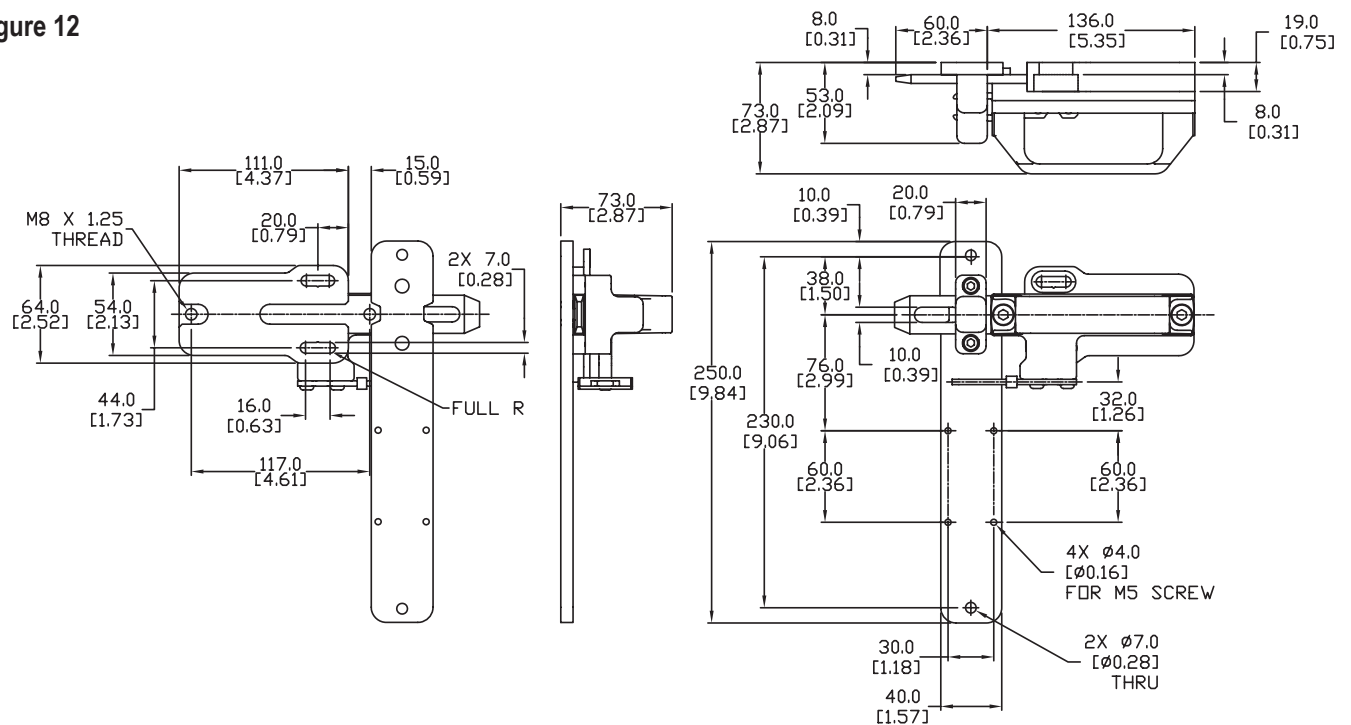


Figure 12



IDEM Interlock Safety Accessories

Dimensions

mm[in]

Figure 13

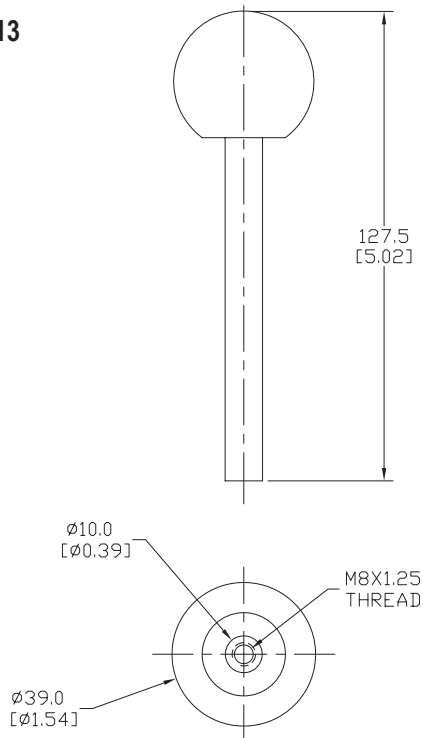


Figure 14

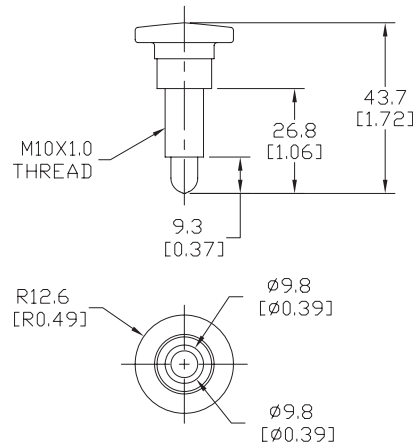


Figure 15

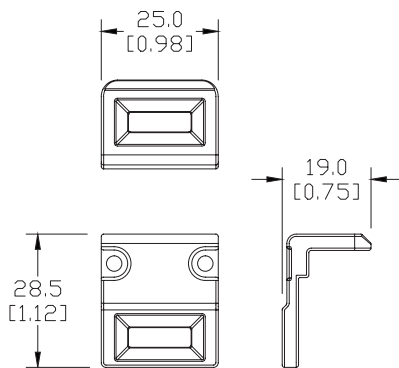


Figure 16

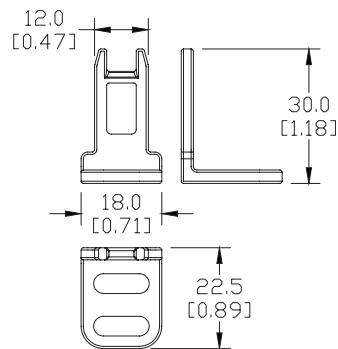


Figure 17

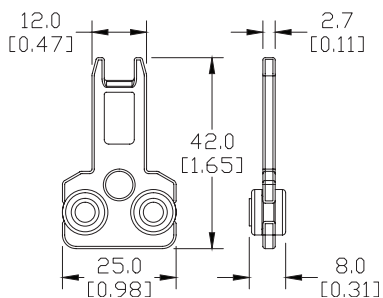
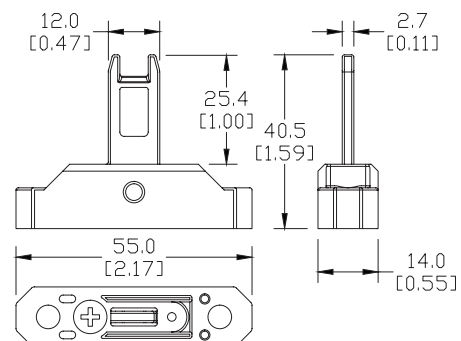


Figure 18



IDEM GLM and GLS Safety Rope Switches

GLM and GLS Series Pull Cord housings

- Three 1/2 in. NPT female fittings
- Includes one tamper-proof T20 Torx bit
- 57 mm, 63 mm, and 65 mm mounting profiles
- Rope Pull kits sold separately and recommended for increased reliability
- 50m, 80m, and 100m length systems

See electrical specifications later in this section.

IDEM GLM/GLS Interlock Safety Switches								
Part Number	Price	Construction Material	Weight (lb)	E-Stop	LED	Maximum Rope Length	Contact Configuration	Dimensions
GLM-143002		57mm die-cast Aluminum	1.5	No	No	50m/164 ft.*	1 N.O., 2 N.C. Slow	Figure 1
GLM-143051			1.5	No	No		1 N.O., 3 N.C.	Figure 1
GLM-143053			1.5	No	No		2 N.O., 2 N.C.	Figure 1
GLM-143057			1.6	Yes	No		1 N.O., 3 N.C.	Figure 1
GLM-143067-AS			1.7	Yes	24VDC		1 N.O., 3 N.C.	Figure 2
GLM-143067-BS			1.7	Yes	110VAC		1 N.O., 3 N.C.	Figure 2
GLS-142002		63mm die-cast Aluminum	1.75	No	No	80m/262 ft.*	1 N.O., 2 N.C.	Figure 3
GLS-142051			1.75	No	No		1 N.O., 3 N.C.	Figure 3
GLS-142053			1.75	No	No		2 N.O., 2 N.C.	Figure 3
GLS-142063			1.85	Yes	No		1 N.O., 3 N.C.	Figure 3
GLS-142075-AS			1.9	Yes	24VDC		1 N.O., 3 N.C.	Figure 4
GLS-142075-BS			1.9	Yes	110VAC		1 N.O., 3 N.C.	Figure 4
GLS-SS-144002		65mm stainless steel	4.2	No	No	100m/328 ft.*	1 N.O., 3 N.C.	Figure 5
GLS-SS-144004			4.2	No	No		2 N.C., 2 N.O.	Figure 5
GLS-SS-144014			4.3	Yes	No		1 N.O., 3 N.C.	Figure 5
GLS-SS-144020-AS			4.4	Yes	24VDC		1 N.O., 3 N.C.	Figure 6
GLS-SS-144020-BS			4.4	Yes	110VAC		1 N.O., 3 N.C.	Figure 6



*See Recommended Rope Span Options and Fittings for number of switches recommended with specific maximum rope lengths.

Cable Kits for IDEM Cable-Pull Safety Switches

- One end of cables terminated with a thimble, permanent clamp, and a threaded quick link
- 4mm diameter cable with red plastic coating
- Kit includes everything needed for installation
- 4mm Allen key

Cable Kits for IDEM Cable-Pull Safety Switches					
Part Number	Price	Description	Cable Length	Construction Material	Weight (lb)
140002		Includes (1) cable, (5) eyebolts, (1) tensioner / gripper and (1) allen key.	10m/32 ft	Galvanized steel	0.8
140011				Stainless steel	1.3
140004		Includes (1) cable, (9) eyebolts, (1) tensioner / gripper and (1) allen key.	20m/65 ft	Galvanized steel	2.2
140013				Stainless steel	2.9
140005		Includes (1) cable, (12) eyebolts, (1) tensioner / gripper and (1) allen key.	30m/98 ft	Galvanized steel	2.8
140014				Stainless steel	3.9
140006		Includes (1) cable, (20) eyebolts, (1) tensioner / gripper and (1) allen key.	50m/164 ft	Galvanized steel	4.5
140015				Stainless steel	6.0
140007		Includes (1) cable, (30) eyebolts, (2) tensioner / grippers and (1) allen key.	80m/262 ft	Galvanized steel	7.0
140016				Stainless steel	9.5

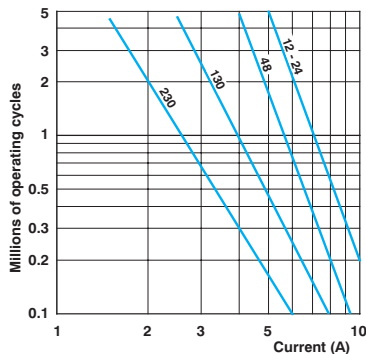


IDEM Interlock Safety Switches Specifications

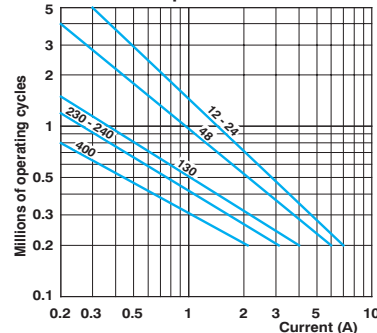
Specifications							
	IDIS	KM	KP/K-SS	K-15	GLM/GLS	INCH/MK1	HC
Safety Classification and Reliability Data							
Switching Reliability (B10d)	2.5 x 10 ⁶ operations at 100mA load						
ISO 13849-1	Up to PLe depending upon system architecture						
EN 62061	Up to SIL3 depending upon system architecture						
Safety Data - Annual Usage	8 cycles per hour / 24 hours per day / 365 days						
Agency Approvals	cULus (E258676), CE, TUV (rope pull switches)						
Electrical and General Specifications							
Conductor Sizes	16-12 AWG (1.5 to 2.5 mm ²)						
Utilization Category	AC15, A300, 3A						
Thermal Current	10A						
Short Circuit Overload Protection	External 10A Fast Acting recommended						
Rated Insulation Voltage	500 VAC				600 VAC		
Contact Terminals	Stainless steel (Snap action Plated Brass); Max conductor 1.5 m ² (IDIS), 2.5 m ² (KM, K/K-15); 1 Nm torque						
Max. Switching Current	2.5A @24 VDC 6A @ 120VAC, 3A @ 240VDC (720VA Break)						
Maximum Approach/Withdrawal Speed	600mm/s						
Enclosure Protection	IP67 (IP69K on all models with both stainless steel head and body)				IP67 Plastic or IP69K Stainless Steel 316		
Operating Temperature	-25C to 80C / -13F to 176F						
Vibration	IEC 68-2-6, 10-55Hz+1Hz						
Lid Screws/Torque	Plated Brass; 1Nm (0.74 lb-ft)	Stainless Steel; T20 Torx; 1Nm (0.74 lb-ft)	Stainless Steel; 1Nm (0.74 lb-ft)		Stainless Steel; T20 Torx; 1Nm (0.74 lb-ft)	Stainless Steel; 1Nm (0.74 lb-ft)	
Recommended Mounting Screws/Torque	M4; 1.5 Nm (1.11 lb-ft)	M5; 4Nm (2.95 lb-ft)			M4; 1.5 Nm (1.11 lb-ft)		
Head Screws/Torque	Stainless Steel, except snap (Plated Brass); 1Nm (0.74 lb-ft)	Stainless Steel; T20 Torx; 1Nm (0.74 lb-ft)	Stainless Steel; 1Nm (0.74 lb-ft)				

Electrical Durability (according to IEC 947-5-1)

AC-15 Slow Action



AC-15 Snap Action



Safety Products



Warning: Safety products sold by AutomationDirect are Safety components only. The purchaser/installer is solely responsible for the application of these components and ensuring all necessary steps have been taken to assure each application and use meets all performance and applicable safety requirements and/or local, national and/or international safety codes as required by the application. AutomationDirect cannot certify that our products, used solely or in conjunction with other AutomationDirect or other vendors' products, will assure safety for any application. Any person using or applying any products sold by AutomationDirect is responsible for learning the safety requirements for their individual application and applying them, and therefore assumes all risks, and accepts full and complete responsibility, for the selection and suitability of the product for their respective application.

AutomationDirect does not provide design or consulting services, and cannot advise whether any specific application or use of our products would ensure compliance with the safety requirements for any application.