

# VFT Series IP69K-rated Proximity Sensors



**VFT1-A0-1M**  
**VFT1-A0-2M**

## 30 mm stainless steel - AC

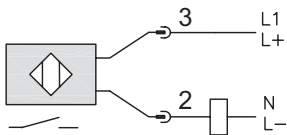
- 2 models available
- 30 mm diameter
- 316L stainless steel housing
- 1/2" micro AC quick-disconnect plug with gold-plated pins (purchase cable separately)
- Complete overload protection
- IP69K rated for food and beverage applications
- M30 mounting hex nuts included
- Lifetime warranty



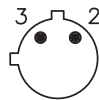
VFT Series Food and Beverage AC Inductive Prox Selection Chart							
Part Number	Price	Sensing Range	Mounting	Output State	Connection	Wiring	Dimensions
<b>VFT1-A0-1M</b>		0 to 14 mm (0 to 0.551 in)	Flush	N.O.	1/2" micro AC quick-disconnect plug	Diagram 1	Figure 1
<b>VFT1-A0-2M</b>		0 to 22 mm (0 to 0.866 in)	Non-flush		1/2" micro AC quick-disconnect plug	Diagram 1	Figure 1

## Wiring diagram

**Diagram 1**



**Connector**



**NOTE: CLASS 2 POWER SUPPLY REQUIRED**

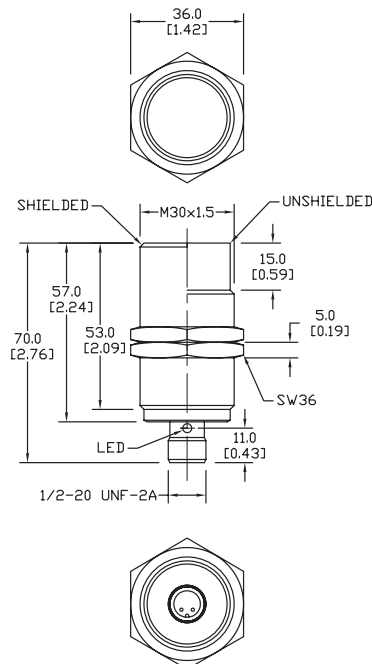
# VFT Series IP69K-rated Proximity Sensors

VFT Series Specifications		
<b>Mounting Type</b>	Flush	Non-flush
<b>Nominal Sensing Distance</b>	0 to 14 mm (0 to 0.551 in)	0 to 22 mm (0 to 0.866 in)
<b>Operating Distance</b>	NA	NA
<b>Material Correction Factors</b>	See the <a href="#">Material influence table</a>	
<b>Output Type</b>	N.O. only	
<b>Operating Voltage</b>	20 to 140 VAC/VDC	
<b>No-load Supply Current</b>	NA	
<b>Operating (Load) Current</b>	5 - 200 mA	
<b>Off-state (Leakage) Current</b>	< 1 mA	
<b>Voltage Drop</b>	< 5.5 V	
<b>Switching Frequency</b>	25Hz VAC/100Hz VDC	
<b>Differential Travel (% of Nominal Distance)</b>	2 - 15%	3 - 15%
<b>Repeat Accuracy</b>	10%	
<b>Ripple</b>	NA	
<b>Time Delay Before Availability (tv)</b>	1 s	
<b>Reverse Polarity Protection</b>	yes	
<b>Short-Circuit Protection</b>	yes (non latching)	
<b>Operating Temperature</b>	0° to 100°C (32° to 212°F)	
<b>Protection Degree (DIN 40050)</b>	IEC IP68/IP69K, II	
<b>Indication/Switch Status</b>	Normally Open output energized - Yellow	
<b>Housing Material</b>	316L stainless steel	
<b>Sensing Face Material</b>	PEEK (Polyether Ether Ketone)	
<b>Shock/Vibration</b>	See <a href="#">Proximity Sensor Terminology</a>	
<b>Tightening Torque</b>	80 Nm (59 lb-ft)	
<b>Weight</b>	149g (5.25 oz)	142g (5.01 oz)
<b>Connection</b>	1/2" micro AC connector	
<b>Agency Approvals</b>	UL E328811, CE, ECOLAB, RoHS	

## Dimensions

mm [inches]

Figure 1



# Accessories for 30mm Sensors

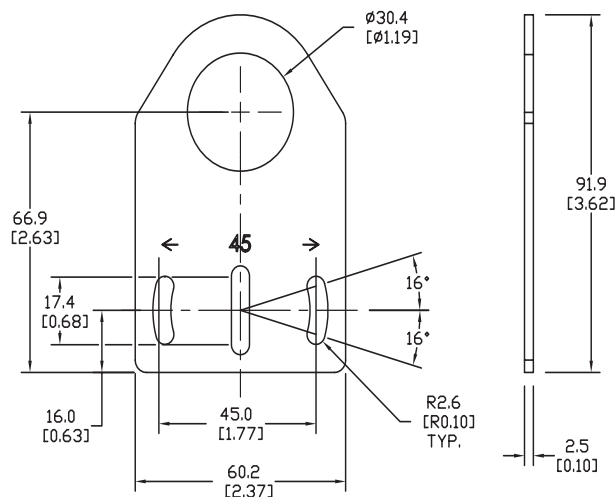
## Axial Mounting Bracket

Mounting bracket, axial, zinc-plated steel. For use with 30mm sensors. Has two mounting holes (use 5mm screws) and allows the rotation of an optical axis for right-beam-angle-adaptor sensors. Hexagonal nuts not included.

Accessories for 30mm Sensors			
Part Number	Price	Description	Weight lb [g]
<b>ST30A</b>		Mounting bracket, axial, zinc plated steel. For use with 30mm sensors.	0.18 (81.7)

### Dimensions

mm [inches]



ST30A

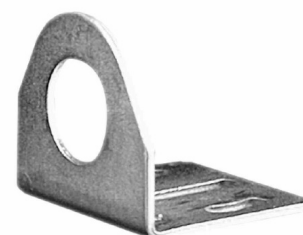
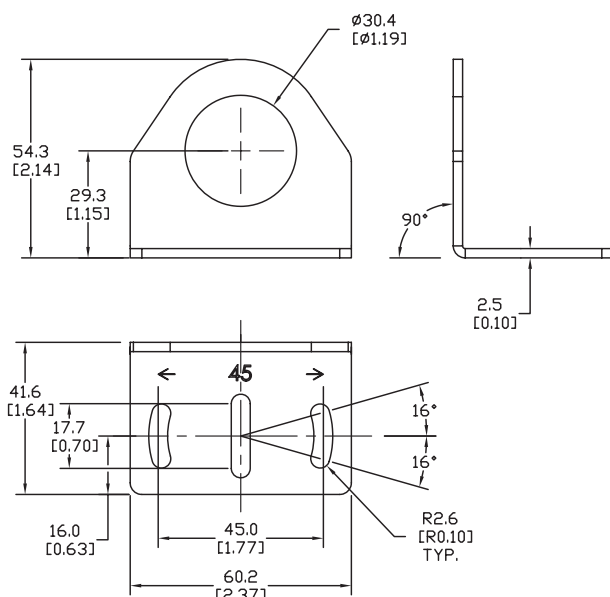
## Right-angle Mounting Bracket

Mounting bracket, right-angle, zinc-plated steel. For use with 30mm sensors. Has two mounting holes (use 5mm screws) and allows the rotation of an optical axis for axial sensors. Hexagonal nuts not included.

Accessories for 30mm Sensors			
Part Number	Price	Description	Weight lb [g]
<b>ST30C</b>		Mounting bracket, right-angle, zinc plated steel. For use with 30mm sensors.	0.18 (81.7)

### Dimensions

mm [inches]



ST30C

# Accessories for 30mm Sensors

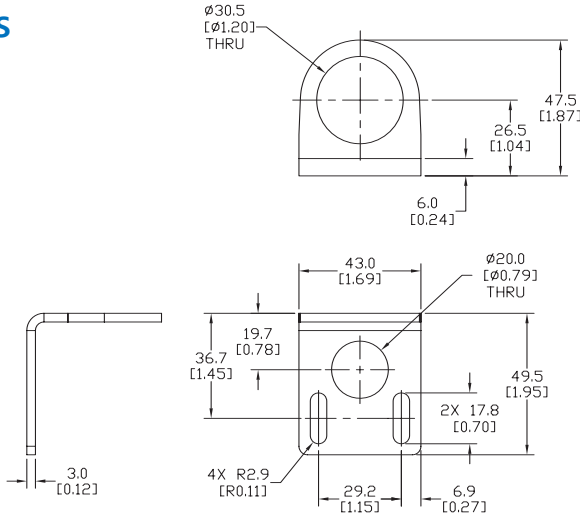
## Right-angle Mounting Bracket

Mounting bracket, right-angle, 304 stainless steel. For use with 30mm sensors.

Accessories for FW Series Sensors			
Part Number	Price	Description	Weight lb [g]
<b>ST30C6W</b>		Mounting bracket, right-angle, 304 stainless steel. For use with 30mm sensors.	0.15 (68.0)

### Dimensions

mm [inches]



ST30C6W

## Right-angle Swivel Mounting Systems

Mounting bracket, right-angle swivel, 360 degree vertical and horizontal adjustment, 12mm rod mount. For use with 30mm sensors. Available in all 304 stainless steel or with an aluminum head with a 304 stainless steel mounting plate.

Accessories for 30mm Sensors						
Part Number	Price	Description	Mounting Head	Mounting Plate	Drawing Link	Weight lb [g]
<b>OPT2118</b>		Wenglor mounting bracket, right-angle swivel, 360 degree vertical and horizontal adjustment, aluminum, 12mm rod mount. For use with 30mm sensors.	Aluminum	304 Stainless steel	<a href="#">PDF</a>	0.18 (81.7)
<b>OPT2119</b>		Wenglor mounting bracket, right-angle swivel, 360 degree vertical and horizontal adjustment, 304 stainless steel, 12mm rod mount. For use with 30mm sensors.	304 Stainless Steel	304 Stainless steel	<a href="#">PDF</a>	0.18 (81.7)

Note: 304 Stainless steel mounting rods sold separately: OPT2109 (200mm [7.87 in] length), OPT2110 (300mm [11.81 in] length), and OPT2111 (500mm [19.69 in] length).



OPT2118, OPT2119

# Mounting Rods and Brackets

## Mounting Rods

304 Stainless steel rods for mounting swivel brackets OPT2112 - OPT2127. Available in three lengths: 200mm, 300mm, and 500mm. 12mm diameter.



Mounting Rods for OPT2112-2127 Swivel Mounting Brackets				
Part Number	Price	Description	Drawing Link	Weight lb (g)
<a href="#">OPT2109</a>		Wenglor mounting rod, 12mm diameter, 200mm length, 304 stainless steel.	<a href="#">PDF</a>	0.41 (185.97)
<a href="#">OPT2110</a>		Wenglor mounting rod, 12mm diameter, 300mm length, 304 stainless steel.	<a href="#">PDF</a>	0.60 (272.16)
<a href="#">OPT2111</a>		Wenglor mounting rod, 12mm diameter, 500mm length, 304 stainless steel.	<a href="#">PDF</a>	0.98 (444.52)

## Right-angle Mounting Bracket

Mounting bracket, right-angle, nickel-plated brass. For use with 12mm mounting rods OPT2109, OPT2110 & OPT2111.



Right-angle Mounting Brackets for 12mm Sensors				
Part Number	Price	Description	Drawing Link	Weight lb (g)
<a href="#">OPT2108</a>		Wenglor mounting bracket, right-angle, nickel plated brass. For use with 12mm mounting rods OPT2109, OPT2110 & OPT2111.	<a href="#">PDF</a>	0.07 (31.8)