

Premium efficiency motors for energy conservation

IronHorse® Premium Efficiency AC electric motors meet the requirements of the Energy Independence and Security Act of 2007. The MTCP Series gives you a low cost of entry so you get a quicker payback on your investment. All our Ironhorse motors are in stock and ready for same-day shipment; if your order is over \$49, you get free shipping too!

Cast Iron T Frame Motors 1 to 125 hp

TC Frame up to 100 hp

Premium efficiency, CSA_{US} certified, ISO9001, CE Mark, Standards of Excellence

All cast iron frame ribbed design for maximum cooling



IRONHORSE
AUTOMATIONDIRECT

Class F winding insulation

NSK/SKF/NTN brand premium quality ball or roller bearings

Standard NEMA T frame up to 200 hp (C-flange kit optional)

TC frame models (C-face) available up to 100 hp

Solid (full frame length) cast iron mounting feet



All ratings totally enclosed fan cooled

Steel fan cover

Cast iron junction box with rubber gasket and rubber dust curtain

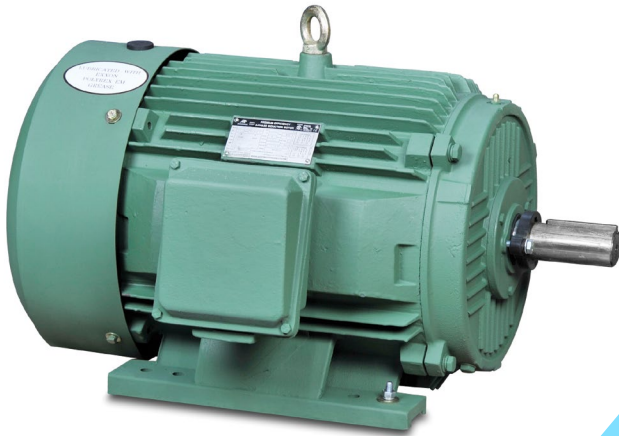
Three-phase - 208-230/460 Volt, T Frame - TEFC Enclosure, 1200, 1800, 3600 RPM

- Premium Efficiency
- Premium grade quality
- All cast iron frames
- Drive-end ball bearings or roller bearings are available on all large horsepower motors
- Electrically reversible
- C-flange kits for C-face mounting are available
- C-face models available

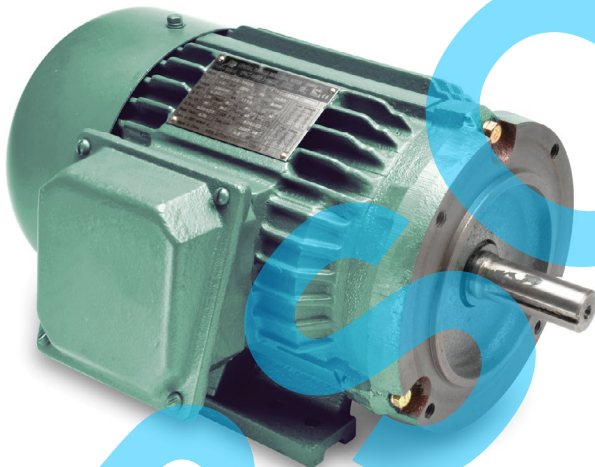
IronHorse[®] MTCP Premium-Efficiency Cast-Iron Three-Phase AC Motors

T-Frame TEFC Motors – Three-Phase Industrial Duty – 1 to 125 hp

TC-Frame (C-Face) TEFC Motors – Three-Phase Industrial Duty – 1 to 100 hp



**Premium Efficiency
Three-Phase Cast Iron T-Frame**



**Premium Efficiency
Three-Phase Cast Iron TC-Frame**

Features

- Available in 1200, 1800, & 3600 rpm
- Totally Enclosed Fan Cooled (TEFC) enclosure
- NEMA TC-frame (C-face) and T-frame motors
- Cast iron frame with ribbed design for maximum cooling
- Solid full frame length cast iron mounting feet
- Steel fan cover
- Cast iron junction box with rubber gasket and rubber dust cover
- NSK/NTN/SKF brand premium quality ball or roller bearings
- Maintenance free bearings (10 hp and below)
- V-ring shaft seals on drive end and on opposite drive end
- Electrically reversible
- Class F winding insulation
- Service Factor: 1.15 (1.0 with AC drive)
- Meets or exceeds Premium Efficiency standards
- Class I, Div 2 hazardous locations
- Inverter ratings: 10:1 (variable torque); 4:1 (constant torque)
- Two year warranty
- cCSA_{us} certified, ISO9001, CE

Accessories & Spare Parts Available

- STABLE motor slide bases for adjustable mounting
- C-flange kits (for converting T-frame motors to TC-frame)
- Replacement junction boxes
- Replacement fans
- Replacement fan shrouds

Applications

- Fans
- Conveyors
- Pumps
- Material Handling
- Metal Processing
- Textile Processing
- Test Stands

IronHorse® MTCP Premium-Efficiency Cast-Iron Three-Phase AC Motors

T-Frame TEFC Motors – Three-Phase Industrial Duty – 1–125 hp – 1800 rpm

TC-Frame (C-Face) TEFC Motors – 3-Phase Industrial Duty – 1–100 hp – 1800 rpm

Motor Specifications – Premium-Efficiency T & TC Frame Three-Phase Motors – 1800 rpm																							
Part Number ⁽¹⁾	Price	HP ⁽²⁾	Base RPM	Phase	Voltage	Housing	NEMA Frame	Mounting ⁽³⁾	Holes / Foot	Service Factor	F.L. Amps @230V/460V	Approx Product Weight (lb) ⁽⁴⁾											
MTCP-001-3BD18	retired	1	1800	3	208-230/460	TEFC	143T	F1(F2)	2	1.15	3.22 / 1.61	41											
MTCP-001-3BD18C	retired						143TC					45											
MTCP-1P5-3BD18	retired	1.5					145T					4	4.64 / 2.32	47									
MTCP-1P5-3BD18C	retired						145TC							50									
MTCP-002-3BD18		2					145T					4		6.00 / 3.00	56								
MTCP-002-3BD18C	retired						145TC								60								
MTCP-003-3BD18		3					182T					2			8.05 / 4.02	84							
MTCP-003-3BD18C	retired						182TC									92							
MTCP-005-3BD18	retired	5					184T					4				13.4 / 6.71	99						
MTCP-005-3BD18C	retired						184TC										107						
MTCP-7P5-3BD18	retired	7.5					213T					2					18.7 / 9.34	150					
MTCP-7P5-3BD18C	retired						213TC											154					
MTCP-010-3BD18*	retired*	10					215T					4						24.9 / 12.5	186				
MTCP-010-3BD18C	retired						215TC												190				
MTCP-015-3BD18*	retired*	15					254T					2							35.8 / 17.9	329			
MTCP-015-3BD18C	retired						254TC													325			
MTCP-020-3BD18	2.00	20					256T					4								47.9 / 24.0	390		
MTCP-020-3BD18C	retired						256TC														370		
MTCP-025-3BD18	retired	25					284T														2	59.6 / 29.8	455
MTCP-025-3BD18C	retired						284TC																467
MTCP-030-3BD18	1.00	30	286T	4	70.0 / 35.0	488																	
MTCP-030-3BD18C	5.00		286TC			497																	
MTCP-040-3BD18	retired	40	324T	2		94.8 / 47.4	611																
MTCP-040-3BD18C	9.00		324TC				626																
MTCP-050-3BD18	retired	50	326T	4			117 / 58.4	690															
MTCP-050-3BD18C	retired		326TC					706															
MTCP-060-3BD18*	retired*	60	364T	2				139 / 69.6	851														
MTCP-060-3BD18C	4.00		364TC						864														
MTCP-075-3BD18	retired	75	365T	4					173 / 86.7	948													
MTCP-075-3BD18C	1.00		365TC							961													
MTCP-100-3BD18	9.00	100	405T	4						229 / 114	1199												
MTCP-100-3BD18C	7.00		405TC								1236												
MTCP-125-3BD18	8.00	125	444T	2							285 / 143		1500										
MTCP-150-3BD18*	retired*	150	445T	4									342 / 171	1630									

- 1) Please review the AutomationDirect Terms & Conditions for warranty and service on this product.
 - 2) For warranty on motors 50 hp and above, motors must be inspected by an EASA motor repair or service center.
 - 3) F1(F2) indicates F1 conduit box mounting location, field convertible to F2 (as shown on dimensional diagram).
 - 4) Certain heavy and oversized items can be shipped only via LTL. Check our web site for current shipping method constraints by part number.
- * This product is a discontinued item. Please consider the comparable MTCP2-xxx-xxxx part number as a replacement.

IronHorse[®] MTCP Premium-Efficiency Cast-Iron Three-Phase AC Motors

T-Frame TEFC Motors – Three-Phase Industrial Duty – 1–20 hp – 1200 & 3600 rpm

Motor Specifications – Premium-Efficiency T-Frame Three-Phase Motors – 1200 rpm

Part Number ⁽¹⁾	Price	HP	Base RPM	Phase	Voltage	Housing	NEMA Frame	Mounting ⁽²⁾	Holes / Foot	Service Factor	F.L. Amps @230V/460V	Approx Product Weight (lb) ⁽³⁾
MTCP-001-3BD12	retired	1	1200	3	208-230/460	TEFC cast iron	145T	F1(F2)	4	1.15	3.2 / 1.6	60
MTCP-002-3BD12		2					184T		4		5.7 / 2.9	110
MTCP-003-3BD12		3					213T		2		8.5 / 4.2	160
MTCP-005-3BD12		5					215T		4		13.8 / 6.9	180
MTCP-7P5-3BD12	7.5						254T		2		20.9 / 10.4	325
MTCP-010-3BD12	retired	10					256T		4		27.8 / 13.9	325
MTCP-015-3BD12	retired	15					284T		2		40.3 / 20.2	420
MTCP-020-3BD12	retired	20					286T		4		52.4 / 26.2	470

1) Please review the AutomationDirect Terms & Conditions for warranty and service on this product.

2) F1(F2) indicates F1 conduit box mounting location, field convertible to F2 (as shown on dimensional diagram).

3) Certain heavy and oversized items can be shipped only via LTL. Check our web site for current shipping method constraints by part number.

Motor Specifications – Premium-Efficiency T-Frame Three-Phase Motors – 3600 rpm

Part Number ⁽¹⁾	Price	HP	Base RPM	Phase	Voltage	Housing	NEMA Frame	Mounting ⁽²⁾	Holes / Foot	Service Factor	F.L. Amps @230V/460V	Approx Product Weight (lb) ⁽³⁾
MTCP-1P5-3BD36	1.5		3600	3	208-230/460	TEFC cast iron	143T	F1(F2)	2	1.15	4.08 / 2.04	44
MTCP-002-3BD36		2					145T		4		5.4 / 2.7	53
MTCP-003-3BD36		3					182T		2		7.74 / 3.87	79
MTCP-005-3BD36		5					184T		4		12.6 / 6.3	92
MTCP-7P5-3BD36	7.5						213T		2		18.46 / 9.23	140
MTCP-010-3BD36	retired	10					215T		4		24.4 / 12.2	161
MTCP-015-3BD36	retired	15					254T		2		35.0 / 17.5	278
MTCP-020-3BD36	retired	20					256T		4		46.4 / 23.2	306

1) Please review the AutomationDirect Terms & Conditions for warranty and service on this product.

2) F1(F2) indicates F1 conduit box mounting location, field convertible to F2 (as shown on dimensional diagram).

3) Certain heavy and oversized items can be shipped only via LTL. Check our web site for current shipping method constraints by part number.

IronHorse® MTCP Premium-Efficiency Cast-Iron Three-Phase AC Motors

T-Frame TEFC Motors – Three-Phase Industrial Duty – 1–125 hp⁽²⁾

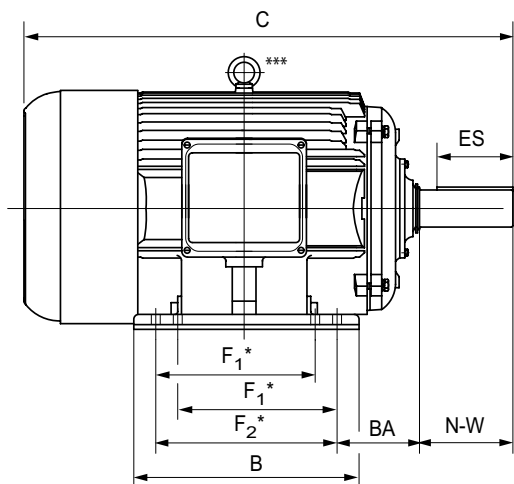
TC-Frame (C-Face) TEFC Motors – Three-Phase Industrial Duty – 1–100 hp

Performance Data – T & TC Frame Three-Phase MTCP Motors (460 Volt except as indicated) – 1200, 1800, 3600 rpm																	
Part Number	HP	NEMA Design	FL RPM	Minimum Speed (rpm)			Current @ 230V/460V (Amps)			Torque (lb-ft)			Maximum Speed (rpm)		FL Efficiency (%)	F.L. Power Factor	Rotor Inertia (lb-ft ²)
				CT	VT	No Load	Full Load	Locked Rotor	Full Load	Locked Rotor	Break-down	CHP ⁽¹⁾	Safe				
MTCP-001-3BD12	1	B	1162	300	120	2.5 / 1.25	3.2 / 1.6	30 / 15	4.5	10.8	14.4	1800	3600	82.5	0.72	0.33	
MTCP-001-3BD18(C)			1750	450	180	2.28 / 1.14	3.22 / 1.61	30.0 / 15.0	3.00	9.00	11.4	2700	5400	86.3	0.690	0.089	
MTCP-1P5-3BD18(C)			1750	450	180	3.12 / 1.56	4.64 / 2.32	40.0 / 20.0	4.5	9.0	14.0	2700	5400	87.3	0.726	0.11	
MTCP-1P5-3BD36	2	B	3570	900	360	2.0 / 1.0	4.08 / 2.04	40.0 / 20.0	2.2	6.4	7.9	5400	5400	85.5	0.828	0.078	
MTCP-002-3BD12			1180	300	120	4.2 / 2.1	5.7 / 2.9	50.0 / 25.0	8.61	20.66	29.88	1800	3600	88.5	0.74	0.47	
MTCP-002-3BD18(C)			1750	450	180	3.6 / 1.8	6.0 / 3.0	50.0 / 25.0	6.0	17.4	19.2	2700	5400	87.3	0.725	0.13	
MTCP-002-3BD36	3	B	3520	900	360	3.14 / 1.57	5.4 / 2.7	50.0 / 25.0	3.0	9.0	12.0	5400	5400	86.6	0.821	0.098	
MTCP-003-3BD12			1180	300	120	6.4 / 3.2	8.5 / 4.2	68.0 / 34.0	13.36	29.39	40.08	1800	3600	89.5	0.74	0.50	
MTCP-003-3BD18(C)			1750	450	180	4.1 / 2.05	8.05 / 4.02	64.0 / 32.0	9.0	20.7	25.2	2700	5400	90.3	0.786	0.28	
MTCP-003-3BD36	5	B	3520	900	360	3.9 / 1.95	7.74 / 3.87	64.0 / 32.0	4.48	12.54	17.02	5400	5400	87.0	0.845	0.195	
MTCP-005-3BD12			1180	300	120	9.2 / 4.6	13.8 / 6.9	92 / 46	22.2	48.8	66.6	1800	3600	89.5	0.76	1.97	
MTCP-005-3BD18(C)			1750	450	180	6.2 / 3.1	13.41 / 6.71	92.0 / 46.0	15.0	34.5	43.5	2700	5400	90.3	0.786	0.33	
MTCP-005-3BD36	7.5	B	3570	900	360	5.2 / 2.6	12.6 / 6.3	92.0 / 46.0	7.36	16.19	22.82	5400	5400	89.0	0.841	0.22	
MTCP-7P5-3BD12			1180	300	120	12.0 / 6.0	20.9 / 10.4	127 / 63.5	33.4	76.8	116.9	1800	3600	91.1	0.74	2.74	
MTCP-7P5-3BD18(C)			1760	450	180	8.44 / 4.22	18.68 / 9.34	127 / 63.5	22.4	44.8	69.4	2700	5400	91.8	0.825	1.814	
MTCP-7P5-3BD36	10	B	3520	900	360	6.66 / 3.33	18.46 / 9.23	127 / 63.5	11.2	28.0	34.7	5400	5400	89.7	0.851	0.501	
MTCP-010-3BD12			1180	300	120	10.8 / 5.4	27.8 / 13.9	162 / 81	44.5	97.9	106.8	1800	3600	91.0	0.74	2.98	
MTCP-010-3BD18(C)			1750	450	180	10.54 / 5.27	24.9 / 12.45	163 / 81.5	30.0	61.5	93.0	2700	4200	92.5	0.826	1.97	
MTCP-010-3BD36	15	B	3550	900	360	8.76 / 4.38	24.4 / 12.2	163 / 81.5	14.8	37.0	50.3	5400	5400	90.3	0.851	1.2	
MTCP-015-3BD12			1180	300	120	18.0 / 9.0	40.3 / 20.2	232 / 116	60.23	132.51	174.67	1800	3600	91.7	0.76	5.49	
MTCP-015-3BD18(C)			1750	450	180	15.4 / 7.7	35.8 / 17.9	232 / 116	45	92	126	2700	4200	92.5	0.890	3.33	
MTCP-015-3BD36	20	B	3550	900	360	12 / 6	35.0 / 17.5	232 / 116	22.2	46.6	64.4	5400	5400	91.2	0.852	1.86	
MTCP-020-3BD12			1180	300	120	17.8 / 8.9	52.4 / 26.2	290 / 145	89.1	196.0	258.4	1800	3600	91.7	0.78	12.9	
MTCP-020-3BD18(C)			1770	450	180	17.11 / 8.56	47.94 / 23.97	290 / 145	59.4	118.8	166.3	2700	4200	93.8	0.846	4.09	
MTCP-020-3BD36	25	B	3570	900	360	15 / 7.5	46.4 / 23.2	290 / 145	29.4	61.7	85.3	5400	5400	91.2	0.851	2.01	
MTCP-025-3BD18(C)			1770			24 / 12	59.6 / 29.8	365 / 182.5	74.2	155.8	185.5			93.6	0.860	7.01	
MTCP-030-3BD18(C)			1780			27 / 13.5	69.96 / 34.98	435 / 217.5	88.6	203.8	248.1			93.7	0.846	8.3	
MTCP-040-3BD18(C)	30	B	1780			29.6 / 14.8	94.76 / 47.38	580 / 290	118.1	248.0	271.6			94.4	0.850	9	
MTCP-050-3BD18(C)			1775			36.2 / 18.1	116.8 / 58.4	725 / 362.5	148	326	414			94.5	0.855	14.1	
MTCP-060-3BD18(C)			1788	450	180	45.6 / 22.8	139.3 / 69.6	870 / 435	179	376	519	2700	4200	95.0	0.850	16.27	
MTCP-075-3BD18(C)	50	B	1787			58.4 / 29.2	173.4 / 86.7	1085 / 542.5	221	464	619			95.4	0.850	18.8	
MTCP-100-3BD18(C)			1790			75 / 37.5	228.6 / 114.3	1450 / 725	293.2	645.0	703.7			95.4	0.860	45.5	
MTCP-125-3BD18			1790			94.54 / 47.27	285.2 / 142.6	1816 / 908	367	624	918			95.4	0.860	65.1	
MTCP-150-3BD18	150	B	1790			104.4 / 52.2	342 / 171	2170 / 1085	443	797	1108			95.8	0.860	69.26	

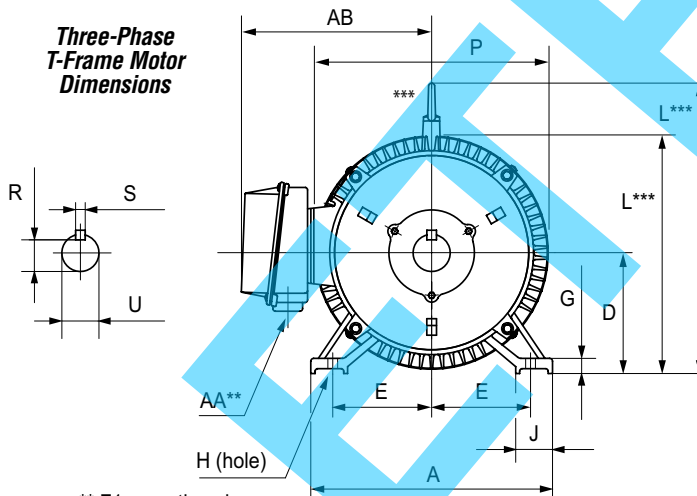
1) Maximum Constant HP RPM is for direct coupled loads.

IronHorse[®] MTCP Premium-Efficiency Cast-Iron Three-Phase AC Motors

T-Frame TEFC Motors – Three-Phase Industrial Duty – 1 to 125 hp⁽¹⁾



* Various frame sizes have 2 or 4 mounting holes per mounting foot (one mounting foot per side).



** F1 mounting shown.

** Some frame sizes are F1/F2 convertible.

*** Frames 143T & 145T have no lifting eyelet.

Dimensions [inches, except as noted] – Premium-Efficiency T-Frame Three-Phase Motors – 1800 rpm

Part Number	HP	NEMA Frame	A	AA**	AB	B	BA	C	D	E	ES	F ₁ *	F ₂ *	G	H	J	N-W	L	P	R	S	U
1800 rpm Motors																						
MTCP-001-3BD18	1	143T	7	3/4"NPT	6.89	5.1	2.25	12.47	3.5	2.75	1.41	n/a	4	0.47	0.34	1.45	2.25	6.90	7.2	0.771	0.188	0.875
MTCP-1P5-3BD18	1.5	145T	7	3/4"NPT	6.89	6.1	2.25	13.47	3.5	2.75	1.41	4	5	0.47	0.34	1.45	2.25	6.90	7.2	0.771	0.188	0.875
MTCP-002-3BD18	2		7	3/4"NPT	6.89	6.1	2.25	13.47	3.5	2.75	1.41	4	5	0.47	0.34	1.45	2.25	6.90	7.2	0.771	0.188	0.875
MTCP-003-3BD18	3	182T	8.9	1" NPT	7.45	6.3	2.75	15.11	4.5	3.75	1.78	n/a	4.5	0.52	0.41	1.97	2.75	10.39	9.0	0.986	0.25	1.125
MTCP-005-3BD18	5	184T	8.9	1" NPT	7.45	7.1	2.75	16.12	4.5	3.75	1.78	4.5	5.5	0.52	0.41	1.97	2.75	10.39	9.0	0.986	0.25	1.125
MTCP-7P5-3BD18	7.5	213T	10.5	1" NPT	8.63	7.5	3.5	18.89	5.25	4.25	2.41	n/a	5.5	0.78	0.41	2.36	3.38	12.26	10.8	1.201	0.312	1.375
MTCP-010-3BD18	10	215T	10.5	1" NPT	8.63	9	3.5	20.49	5.25	4.25	2.41	5.5	7	0.78	0.41	2.36	3.38	12.26	10.8	1.201	0.312	1.375
MTCP-015-3BD18	15	254T	12.3	1.5" NPT	12.0	10.3	4.25	23.29	6.25	5	2.91	n/a	8.25	0.87	0.53	2.40	4	15.10	14.4	1.416	0.375	1.625
MTCP-020-3BD18	20	256T	12.3	1.5" NPT	12.0	12.4	4.25	25.06	6.25	5	2.91	8.25	10	0.87	0.53	2.40	4	15.10	14.4	1.416	0.375	1.625
MTCP-025-3BD18	25	284T	13.7	1.5" NPT	13.7	12.2	4.75	26.63	7	5.5	3.28	n/a	9.5	0.98	0.53	2.68	4.62	16.50	16.0	1.591	0.5	1.875
MTCP-030-3BD18	30	286T	13.7	1.5" NPT	13.7	13.7	4.75	28.18	7	5.5	3.28	9.5	11	0.98	0.53	2.68	4.62	16.50	16.0	1.591	0.5	1.875
MTCP-040-3BD18	40	324T	15.3	2"NPT	14.6	12.6	5.25	29.95	8	6.25	3.91	n/a	10.5	0.98	0.66	2.76	5.25	18.25	17.8	1.845	0.5	2.125
MTCP-050-3BD18	50	326T	15.3	2"NPT	14.6	14.0	5.25	31.24	8	6.25	3.91	10.5	12	0.98	0.66	2.76	5.25	18.25	17.8	1.845	0.5	2.125
MTCP-060-3BD18	60	364T	17.0	3"NPT	17.6	14.6	5.88	32.58	9	7	4.28	n/a	11.25	1.10	0.66	3.15	5.88	21.0	19.4	2.021	0.625	2.375
MTCP-075-3BD18	75	365T	17.0	3"NPT	17.6	15.6	5.88	34.11	9	7	4.28	11.25	12.25	1.10	0.66	3.15	5.88	21.0	19.4	2.021	0.625	2.375
MTCP-100-3BD18	100	405T	20	3"NPT	18.1	17.8	6.62	38.35	10	8	5.65	12.25	13.75	1.18	0.81	3.15	7.25	23.46	21.4	2.45	0.75	2.875
MTCP-125-3BD18	125	444T	22	2x3"NPT	19.1	18.5	7.5	42.52	11	9	6.91	n/a	14.5	1.38	0.81	3.35	8.5	26.43	23.4	2.88	0.875	3.375
MTCP-150-3BD18	150	445T	22	2x3"NPT	19.1	20.5	7.5	44.5	11	9	6.91	14.5	16.5	1.38	0.81	3.35	8.5	26.43	23.4	2.88	0.875	3.375

* Various frame sizes have 2 or 4 mounting holes per mounting foot.

** AA dimension is conduit fitting size.

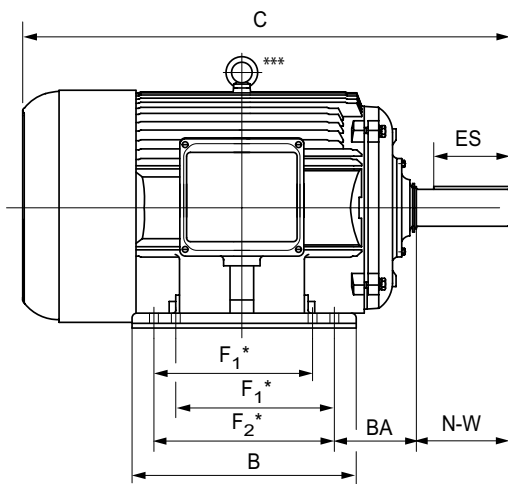
F1 mounting shown; some frame sizes are F1/F2 convertible; refer to T Frame "Motor Specifications" table.

(F2 mounting = conduit entrance on right side facing shaft.)

*** Frame sizes 143T(C) and 145T(C) have no lifting eyelet.

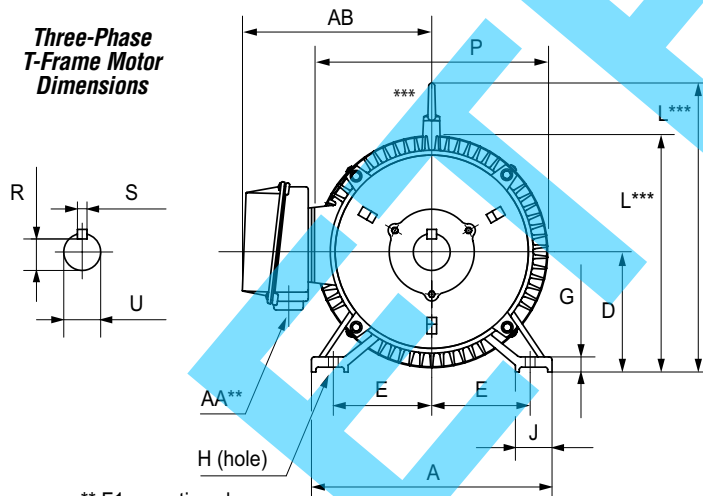
IronHorse[®] MTCP Premium-Efficiency Cast-Iron Three-Phase AC Motors

T-Frame TEFC Motors – Three-Phase Industrial Duty – Dimensions



* Various frame sizes have 2 or 4 mounting holes per mounting foot (one mounting foot per side).

Three-Phase T-Frame Motor Dimensions



** F1 mounting shown.
** Some frame sizes are F1/F2 convertible.
*** Frames 143T & 145T have no lifting eyelet.

Dimensions [inches, except as noted] – Premium-Efficiency T-Frame Three-Phase Motors – 1200 & 3600 rpm

Part Number	HP	NEMA Frame	A	AA**	AB	B	BA	C	D	E	ES	F ₁ *	F ₂ *	G	H	J	N-W	L	P	R	S	U
1200 rpm Motors																						
MTCP-001-3BD12	1	145T	7	3/4" NPT	6.89	6.1	2.25	13.47	3.5	2.75	1.41	4	5	0.47	0.34	1.45	2.25	6.90	7.2	0.771	0.188	0.875
MTCP-002-3BD12	2	184T	8.9	1" NPT	7.45	7.1	2.75	16.12	4.5	3.75	1.78	4.5	5.5	0.52	0.41	1.97	2.75	10.39	9.0	0.986	0.25	1.125
MTCP-003-3BD12	3	213T	10.5	1" NPT	8.63	7.5	3.5	18.89	5.25	4.25	2.41	n/a	5.5	0.78	0.41	2.36	3.38	12.26	10.8	1.201	0.312	1.375
MTCP-005-3BD12	5	215T	10.5	1" NPT	8.63	9	3.5	20.49	5.25	4.25	2.41	5.5	7	0.78	0.41	2.36	3.38	12.26	10.8	1.201	0.312	1.375
MTCP-7P5-3BD12	7-1/2	254T	12.3	1.5" NPT	12.0	10.3	4.25	23.29	6.25	5	2.91	n/a	8.25	0.87	0.53	2.40	4	15.10	14.4	1.416	0.375	1.625
MTCP-010-3BD12	10	256T	12.3	1.5" NPT	12.0	12.4	4.25	25.06	6.25	5	2.91	8.25	10	0.87	0.53	2.40	4	15.10	14.4	1.416	0.375	1.625
MTCP-015-3BD12	15	284T	13.7	1.5" NPT	13.7	12.2	4.75	26.63	7	5.5	3.28	n/a	9.5	0.98	0.53	2.68	4.62	16.50	16.0	1.591	0.5	1.875
MTCP-020-3BD12	20	286T	13.7	1.5" NPT	13.7	13.7	4.75	28.18	7	5.5	3.28	9.5	11	0.98	0.53	2.68	4.62	16.50	16.0	1.591	0.5	1.875
3600 rpm Motors																						
MTCP-1P5-3BD36	1-1/2	143T	7	3/4" NPT	6.89	5.1	2.25	12.47	3.5	2.75	1.41	n/a	4	0.47	0.34	1.45	2.25	6.90	7.2	0.771	0.188	0.875
MTCP-002-3BD36	2	145T	7	3/4" NPT	6.89	6.1	2.25	13.47	3.5	2.75	1.41	4	5	0.47	0.34	1.45	2.25	6.90	7.2	0.771	0.188	0.875
MTCP-003-3BD36	3	182T	8.9	1" NPT	7.45	6.3	2.75	15.11	4.5	3.75	1.78	n/a	4.5	0.52	0.41	1.97	2.75	10.39	9.0	0.986	0.25	1.125
MTCP-005-3BD36	5	184T	8.9	1" NPT	7.45	7.1	2.75	16.12	4.5	3.75	1.78	4.5	5.5	0.52	0.41	1.97	2.75	10.39	9.0	0.986	0.25	1.125
MTCP-7P5-3BD36	7-1/2	213T	10.5	1" NPT	8.63	7.5	3.5	18.89	5.25	4.25	2.41	n/a	5.5	0.78	0.41	2.36	3.38	12.26	10.8	1.201	0.312	1.375
MTCP-010-3BD36	10	215T	10.5	1" NPT	8.63	9	3.5	20.49	5.25	4.25	2.41	5.5	7	0.78	0.41	2.36	3.38	12.26	10.8	1.201	0.312	1.375
MTCP-015-3BD36	15	254T	12.3	1.5" NPT	12.0	10.3	4.25	23.29	6.25	5	2.91	n/a	8.25	0.87	0.53	2.40	4	15.10	14.4	1.416	0.375	1.625
MTCP-020-3BD36	20	256T	12.3	1.5" NPT	12.0	12.4	4.25	25.06	6.25	5	2.91	8.25	10	0.87	0.53	2.40	4	15.10	14.4	1.416	0.375	1.625

* Various frame sizes have 2 or 4 mounting holes per mounting foot.

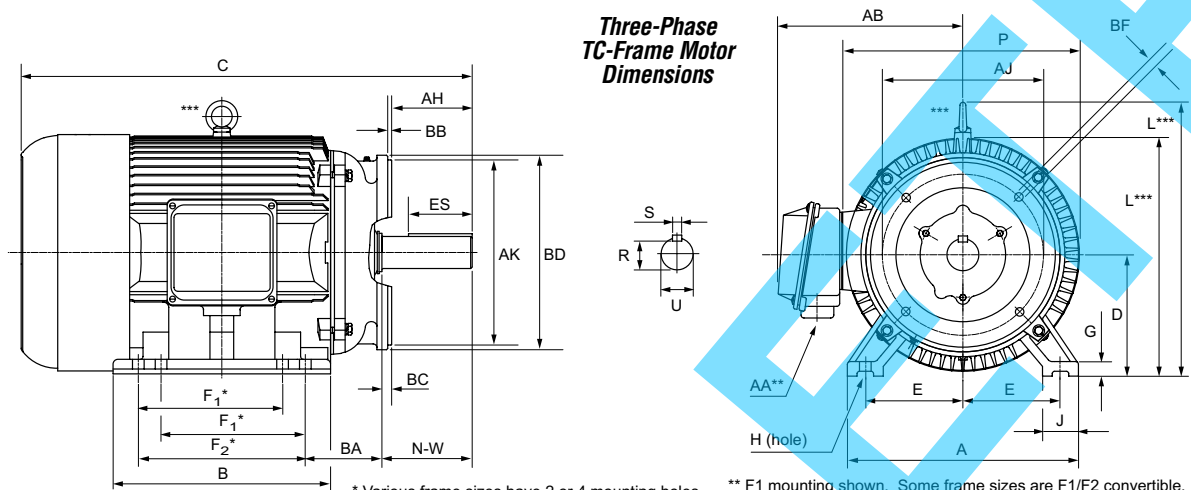
** AA dimension is conduit fitting size.

F1 mounting shown; some frame sizes are F1/F2 convertible; refer to T Frame "Motor Specifications" table.
(F2 mounting = conduit entrance on right side facing shaft.)

*** Frame sizes 143T(C) and 145T(C) have no lifting eyelet.

IronHorse® MTCP Premium-Efficiency Cast-Iron Three-Phase AC Motors

TC-Frame TEFC Motors – Three-Phase Industrial Duty – Dimensions



Dimensions [inches, except as noted] – Premium-Efficiency TC-Frame Three-Phase Motors – 1800 rpm

Part # MTCP- xxx 3BD18C	HP	NEMA Frame	A	AA**	AB	AH	AJ	AK	B	BA	BB	BC	BD	BF	C	D	E	ES	F ₁ *	F ₂ *	G	H	J	N-W	L	P	R	S	U
-001-	1	143TC	7	3/4"NPT	6.89	1.96	5.875	4.5	5.1	2.25	0.16	0.29	6.5	3/8-16	12.5	3.5	2.75	1.41	n/a	4	0.47	0.34	1.45	2.25	6.9	7.2	0.771	0.188	0.875
-1P5-	1.5	145TC	7	3/4"NPT	6.89	1.96	5.875	4.5	6	2.25	0.16	0.29	6.5	3/8-16	13.5	3.5	2.75	1.41	4	5	0.47	0.34	1.45	2.25	6.9	7.2	0.771	0.188	0.875
-002-	2																												
-003-	3	182TC	8.9	1" NPT	7.45	2.37	7.25	8.5	6.3	2.75	0.25	0.38	9	1/2-13	15.1	4.5	3.75	1.78	n/a	4.5	0.52	0.41	1.97	2.75	10.4	9.0	0.986	0.25	1.125
-005-	5	184TC	8.9	1" NPT	7.45	2.37	7.25	8.5	7.1	2.75	0.25	0.38	9	1/2-13	16.1	4.5	3.75	1.78	4.5	5.5	0.52	0.41	1.97	2.75	10.4	9.0	0.986	0.25	1.125
-7P5-	7.5	213TC	10.5	1" NPT	8.63	2.87	7.25	8.5	7.5	3.5	0.25	0.51	9	1/2-13	18.9	5.25	4.25	2.41	n/a	5.5	0.78	0.41	2.36	3.38	12.3	10.8	1.201	0.312	1.375
-010-	10	215TC	10.5	1" NPT	8.63	2.87	7.25	8.5	9	3.5	0.25	0.51	9	1/2-13	20.5	5.25	4.25	2.41	5.5	7	0.78	0.41	2.36	3.38	12.3	10.8	1.201	0.312	1.375
-015-	15	254TC	12.3	1.5"NPT	12.0	3.75	7.25	8.5	10.3	4.25	0.25	0.25	10	1/2-13	23.3	6.25	5	2.91	n/a	8.25	0.87	0.53	2.40	4	15.1	14.4	1.416	0.375	1.625
-020-	20	256TC	12.3	1.5"NPT	12.0	3.75	7.25	8.5	12.4	4.25	0.25	0.25	10	1/2-13	25.1	6.25	5	2.91	8.25	10	0.87	0.53	2.40	4	15.1	14.4	1.416	0.375	1.625
-025-	25	284TC	13.7	1.5"NPT	13.7	4.38	9	10.5	12.2	4.75	0.25	0.25	11.25	1/2-13	26.6	7	5.5	3.28	n/a	9.5	0.98	0.53	2.68	4.62	16.5	16.0	1.591	0.5	1.875
-030-	30	286TC	13.7	1.5"NPT	13.7	4.38	9	10.5	13.7	4.75	0.24	0.24	11.25	1/2-13	28.2	7	5.5	3.28	9.5	11	0.98	0.53	2.68	4.62	16.5	16.0	1.591	0.5	1.875
-040-	40	324TC	15.3	2" NPT	14.6	5	11	12.5	12.6	5.25	0.24	0.24	14	5/8-11	30.0	8	6.25	3.91	n/a	10.5	0.98	0.66	2.76	5.25	18.3	17.8	1.845	0.5	2.125
-050-	50	326TC	15.3	2" NPT	14.6	5	11	12.5	14.0	5.25	0.25	0.25	14	5/8-11	31.2	8	6.25	3.91	10.5	12	0.98	0.66	2.76	5.25	18.3	17.8	1.845	0.5	2.125
-060-	60	364TC	17.0	3" NPT	17.5	5.62	11	12.5	14.6	5.88	0.25	0.25	14	5/8-11	32.6	9	7	4.28	n/a	11.25	1.10	0.66	3.15	5.88	21.0	19.4	2.021	0.625	2.375
-075-	75	365TC	17.0	3" NPT	17.5	5.62	11	12.5	15.6	5.88	0.25	0.25	14	5/8-11	34.1	9	7	4.28	11.25	12.25	1.10	0.66	3.15	5.88	21.0	19.4	2.021	0.625	2.375
-100-	100	405TC	20	3" NPT	18.1	7	11	12.5	17.8	6.62	0.25	0.25	15.5	5/8-11	38.4	10	8	5.65	12.25	13.75	1.18	0.81	3.15	7.25	23.5	21.4	2.45	0.75	2.875

* Various frame sizes have 2 or 4 mounting holes per mounting foot.

** AA dimension is conduit fitting size.

F1 mounting shown; some frame sizes are F1/F2 convertible; refer to T Frame "Motor Specifications" table.
(F2 mounting = conduit entrance on right side facing shaft.)

*** Frame sizes 143TC and 145TC have no lifting eyelet.

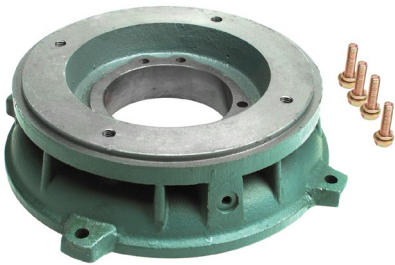
IronHorse® MTCP Premium-Efficiency Cast-Iron Three-Phase AC Motors

Premium Efficiency TEFC T-Frame Three-Phase Motor C-Flange Kits – 1 to 200 hp

We stock Premium Efficiency NEMA cast iron T-frame motors from 1–200 hp, and TC-frame motors from 1–100 hp.

We also offer IronHorse cast iron C-flange kits which can be used for C-face mounting of our 1–200 hp IronHorse MTCP Premium Efficiency cast iron T-frame motors.

The kits are field installable and include the C-faces and bolts.



MTCP Premium-Efficiency T-frame Three-Phase Motor C-Flange Kits					
Part Number ⁽¹⁾	Price	Fits Frame	Fits Motor Number	Motor HP	Product Weight (lb) ⁽²⁾
MTAP-CFACE-140TC		143T & 145T	MTCP-001-3BD12	1	6.8
			MTCP-001-3BD18	1	
			MTCP-1P5-3BD18	1-1/2	
			MTCP-1P5-3BD36	1-1/2	
			MTCP-002-3BD18	2	
MTAP-CFACE-180TC	retired	182T & 184T	MTCP-002-3BD12	2	14.3
			MTCP-003-3BD18	3	
			MTCP-003-3BD36	3	
			MTCP-005-3BD18	5	
			MTCP-005-3BD36	5	
MTAP-CFACE-210TC	retired	213T & 215T	MTCP-003-3BD12	3	13.8
			MTCP-005-3BD12	5	
			MTCP-7P5-3BD18	7-1/2	
			MTCP-7P5-3BD36	7-1/2	
			MTCP-010-3BD18	10	
MTAP-CFACE-250TC		254T & 256T	MTCP-7P5-3BD12	7-1/2	40.1
			MTCP-010-3BD12	10	
			MTCP-015-3BD18	15	
			MTCP-015-3BD36	15	
			MTCP-020-3BD18	20	
MTAP-CFACE-280TC		284T & 286T	MTCP-015-3BD12	15	44.0
			MTCP-020-3BD12	20	
			MTCP-025-3BD18	25	
			MTCP-030-3BD18	30	
MTAP-CFACE-320TC		324T & 326T	MTCP-040-3BD18	40	61.7
			MTCP-050-3BD18	50	
MTAP-CFACE-360TC		364T & 365T	MTCP-060-3BD18	60	70.5
			MTCP-075-3BD18	75	
MTAP-CFACE-400TC		405T	MTCP-100-3BD18	100	136.6
MTAP-CFACE-444TC		444T & 445T	MTCP-125-3BD18	125	143.2
			MTCP-150-3BD18	150	

1) Please review the AutomationDirect Terms & Conditions for warranty and service on this product.

2) Certain heavy and oversized items can be shipped only via LTL.

Check our web site for current shipping method constraints by part number.

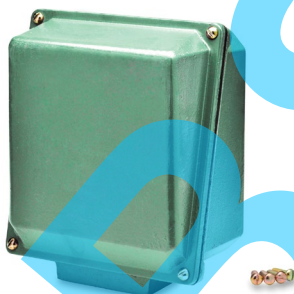
IronHorse® MTCP Premium-Efficiency Cast-Iron Three-Phase AC Motors

Premium Efficiency TEFC Three-Phase Motor Replacement Parts – 1 to 200 hp

We stock MTCP Premium Efficiency NEMA cast iron T-frame motors from 1–200 hp, and TC-frame motors from 1–100 hp.

We also offer IronHorse junction boxes, TEFC fans, and TEFC fan shrouds as direct replacement parts for these MTCP motors.

These replacement parts are field installable. Instructions included.



MTCP Premium-Efficiency Three-Phase Motor Replacement Parts						
Part Number ⁽¹⁾	Price	Description ⁽²⁾⁽³⁾⁽⁴⁾	Fits Frame	Fits PE Motor Number ⁽¹⁾	Motor HP	Product Wt. (lb)
MTAP-FAN-140		Replacement Fan	143 & 145	MTCP-001-3BD12 MTCP-001-3BD18(C)	1	0.3
MTAP-SHROUD-140		Replacement Fan Shroud		MTCP-1P5-3BD18(C) MTCP-1P5-3BD36	1-1/2 1-1/2	1.1
MTAP-JBOX-140	retired	Replacement Junction Box		MTCP-002-3BD18(C) MTCP-002-3BD36	2 2	2.6
MTAP-FAN-180		Replacement Fan	182 & 184	MTCP-002-3BD12 MTCP-003-3BD18(C)	2 3	0.3
MTAP-SHROUD-180		Replacement Fan Shroud		MTCP-003-3BD36 MTCP-005-3BD18(C)	3 5	1.5
MTAP-JBOX-180		Replacement Junction Box		MTCP-005-3BD36	5	3.1
MTAP-FAN-210-2	retired	Replacement Fan (for 2-pole motors)	213 & 215	MTCP-7P5-3BD36 MTCP-010-3BD36	7-1/2 10	0.3
MTAP-FAN-210	retired	Replacement Fan (4&6-pole)		MTCP-003-3BD12 MTCP-005-3BD12	3 5	0.3
MTAP-SHROUD-210		Replacement Fan Shroud		MTCP-7P5-3BD18(C) MTCP-010-3BD18(C)	7-1/2 10	2.3
MTAP-JBOX-210		Replacement Junction Box				3.4
MTAP-FAN-250-2		Replacement Fan (for 2-pole motors)	254 & 256	MTCP-015-3BD36 MTCP-020-3BD36	15 20	0.3
MTAP-FAN-250		Replacement Fan (4&6-pole)		MTCP-7P5-3BD12 MTCP-010-3BD12	7-1/2 10	0.3
MTAP-JBOX-250	retired	Replacement Junction Box		MTCP-015-3BD18(C) MTCP-020-3BD18(C)	15 20	7.0
MTAP-FAN-280		Replacement Fan	284 & 286	MTCP-015-3BD12 MTCP-020-3BD12	15 20	0.5
MTAP-SHROUD-280		Replacement Fan Shroud		MTCP-025-3BD18(C) MTCP-030-3BD18(C)	25 30	6.5
MTAP-JBOX-280		Replacement Junction Box				7.0
MTAP-FAN-320		Replacement Fan	324 & 326	MTCP-040-3BD18(C) MTCP-050-3BD18(C)	40 50	0.6
MTAP-SHROUD-320	retired	Replacement Fan Shroud				
MTAP-JBOX-320	retired	Replacement Junction Box				22.3
MTAP-FAN-360		Replacement Fan	364 & 365	MTCP-060-3BD18(C) MTCP-075-3BD18(C)	60 75	0.6
MTAP-SHROUD-360		Replacement Fan Shroud				
MTAP-JBOX-360		Replacement Junction Box				22.3
MTAP-FAN-400		Replacement Fan	405	MTCP-100-3BD18(C)	100	1.1
MTAP-SHROUD-400		Replacement Fan Shroud				
MTAP-JBOX-400		Replacement Junction Box				30.0
MTAP-FAN-440		Replacement Fan	444 & 445	MTCP-125-3BD18 MTCP-150-3BD18	125 150	2.0
MTAP-SHROUD-440		Replacement Fan Shroud				200
MTAP-JBOX-440		Replacement Junction Box	447			40.0

1) These MTAP replacement components fit only MTCP Premium Efficiency motors.

2) Replacement Fans include fan and snap ring.

3) Replacement Fan Shrouds include shroud, bolts w/washers, and rubber plug.

4) Replacement Junction Boxes include gasketed base & cover assembly, base gasket, and base bolts.

AC Motor Selection – IronHorse® General Purpose Motors

IronHorse® General Purpose Motor Selection					
Characteristics	1-Phase		3-Phase		
	56C/56HC Frame Rolled Steel***	T Frame Farm Duty	56C/56HC Frame Rolled Steel***	56C Frame Stainless Steel	Cast Iron T & TC Frames
Electrical Characteristics					
Horsepower range	1/3 – 2	2 – 5	1/3 – 3	1/3 – 3/4	PE: 1–200(T); 1–100(TC)
Base speed (# Poles)	1800 (4), 3600 (2)	1800 (4)	1800 (4), 3600 (2)		1200(6), 1800 (4), 3600(2)
Standard Voltage	115/208-230, 115/230	230	208-230/460		208-230/460
Phase / Base Frequency (Hz)	1 / 60		3 / 60		
Service Factor	1.15		1.15 (line) ; 1.0 (drive)		
Design Code (NEMA)	L, N	L	B		
Insulation Class	F				
Insulation System	dip & bake twice	VPI, then bake, then dip and bake	dip & bake	double dip & bake	EPAAct: double dip & bake PE: VPI
Duty Cycle	continuous				
Thermal protection	none	yes	none		
Mechanical Characteristics					
Frame size (mounting)	56C or 56HC	182T – 184T	56C or 56HC		143T/TC – 445/7T
Enclosure	TEFC				
Frame material	rolled steel		304 stainless steel		cast iron
End bracket material	aluminum	cast iron	aluminum	304 stainless steel	cast iron
Junction box material	steel		304 stainless steel		cast iron
Fan guard material	steel	steel	steel	304 stainless steel	steel
Fan material	polypropylene plastic	plastic	plastic	heat-resistant polyethylene	plastic
Lead termination	junction box				
Standard mounting	C-Face with Removable Rigid Base	Rigid Base	C-Face with Removable Rigid Base	C-Face with Rigid Base C-Face with Round Body	Rigid Base C-Face with Rigid Base (1-100 hp)
Drive end shaft slinger	yes				
Paint	black	green	black	n/a	PE: polyurethane enamel
Bearings	ball				1-75 hp: ball 100-300 hp: roller
Grease	Mobil Polyrex EM			Korschun lithium-based	Mobil Polyrex EM
Standard junction box assembly position	F1				F1 (some sizes reversible to F2)
Performance Characteristics					
Constant Torque speed range	n/a	n/a	2:1 (MTR, MTSS); 4:1 (MTRP, MTR2)		4:1 (Premium Efficiency)
Variable Torque speed range	n/a	n/a	5:1 (MTR, MTSS); 10:1 (MTRP, MTR2)		10:1 (Premium Efficiency)
Constant Horsepower speed range	n/a	n/a	1.5:1		1.5:1
Temperature rise	F	B			
Encoder provisions	none				
Other Characteristics					
Warranty*	2 years		1 year		2 years
Agency Approvals **	CE, cCSA _{US}		cCSA _{US}		CE, cCSA _{US}
<p>* See Terms and Conditions for motor warranty explanation. 1) For warranty on IronHorse motors below 50 hp, warranty service can be arranged through AutomationDirect. 2) For warranty on IronHorse motors 50 hp and above, motors must be inspected by a local EASA motor repair or service center; (see AutomationDirect Terms & Conditions). ** To obtain the most current agency approval information, see the Agency Approval Checklist on the specific part number's web page. *** 56HC motors are capable of 56C C-face mounting, and are also compatible with 56, 143T, and 145T foot mounting dimensions.</p>					