

IronHorse® MTCP Premium Efficiency Cast-Iron 3-Phase AC Motor Accessories

Premium Efficiency TEFC T-Frame Three-Phase Motor C-Flange Kits – 1 to 200 hp

We stock Premium Efficiency NEMA cast iron T-frame motors from 1–200 hp, and TC-frame motors from 1–100 hp.

We also offer IronHorse cast iron C-flange kits which can be used for C-face mounting of our 1–200 hp IronHorse MTCP Premium Efficiency cast iron T-frame motors.

The kits are field installable and include the C-faces and bolts.



MTCP Premium Efficiency T-frame Three-Phase Motor C-Flange Kits					
Part Number	Price	Fits Frame	Fits Motor Number ⁽²⁾	Motor HP	Product Weight (lb)
MTAP-CFACE-140TC	<--->	143T & 145T	MTCP-001-3BD12 MTCP-001-3BD18 MTCP-1P5-3BD18 MTCP-1P5-3BD36 MTCP-002-3BD18 MTCP-002-3BD36	1 1 1-1/2 1-1/2 2 2	6.8
MTAP-CFACE-180TC	<--->	182T & 184T	MTCP-1P5-3BD12 MTCP-002-3BD12 MTCP-003-3BD18 MTCP-003-3BD36 MTCP-005-3BD18 MTCP-005-3BD36	1-1/2 2 3 3 5 5	14.3
MTAP-CFACE-210TC	<--->	213T & 215T	MTCP-003-3BD12 MTCP-005-3BD12 MTCP-7P5-3BD18 MTCP-7P5-3BD36 MTCP-010-3BD18 MTCP-010-3BD36	3 5 7-1/2 7-1/2 10 10	13.8
MTAP-CFACE-250TC	<--->	254T & 256T	MTCP-7P5-3BD12 MTCP-010-3BD12 MTCP-015-3BD18 MTCP-015-3BD36 MTCP-020-3BD18 MTCP-020-3BD36	7-1/2 10 15 15 20 20	40.1
MTAP-CFACE-280TC	<--->	284T & 286T	MTCP-015-3BD12 MTCP-020-3BD12 MTCP-025-3BD18 MTCP-030-3BD18	15 20 25 30	44.0
MTAP-CFACE-320TC	<--->	324T & 326T	MTCP-040-3BD18 MTCP-050-3BD18	40 50	61.7
MTAP-CFACE-360TC	<--->	364T & 365T	MTCP-060-3BD18 MTCP-075-3BD18	60 75	70.5
MTAP-CFACE-400TC⁽¹⁾	<--->	405T	MTCP-100-3BD18	100	136.6 ⁽¹⁾
MTAP-CFACE-444TC⁽¹⁾	<--->	444T & 445T	MTCP-125-3BD18 MTCP-150-3BD18	125 150	143.2 ⁽¹⁾
MTAP-CFACE-447TC⁽¹⁾	<--->	445/7T	MTCP-200-3BD18	200	144.4 ⁽¹⁾

1) For shipping weights over 100 lbs: A) LTL shipment required. B) Order before 5:00 p.m. EST for same day shipment. C) You must have a receiving loading dock. D) Not available in Hawaii or Puerto Rico.
2) MTAP-CFACE C-flange kits will NOT fit MTC EPAct motors.

IronHorse® MTCP Premium Efficiency Cast-Iron AC Motor Replacement Parts

Premium Efficiency TEFC Three-Phase Motor Replacement Parts – 1 to 200 hp

We stock MTCP Premium Efficiency NEMA cast iron T-frame motors from 1–200 hp, and TC-frame motors from 1–100 hp.

We also offer IronHorse junction boxes, TEFC fans, and TEFC fan shrouds as direct replacement parts for these MTCP motors.

These replacement parts are field installable. Instructions included.



MTCP Premium Efficiency Three-Phase Motor Replacement Parts						
Part Number ⁽¹⁾	Price	Description ⁽²⁾⁽³⁾⁽⁴⁾	Fits Frame	Fits PE Motor Number ⁽¹⁾	Motor HP	Product Weight (lb)
MTAP-FAN-140	<--->	Replacement Fan	143 & 145	MTCP-001-3BD12 MTCP-001-3BD18(C) MTCP-1P5-3BD18(C) MTCP-1P5-3BD36	1 1 1-1/2 1-1/2	0.3 1.1
MTAP-SHROUD-140	<--->	Replacement Fan Shroud		MTCP-002-3BD18(C) MTCP-002-3BD36	2 2	
MTAP-JBOX-140	<--->	Replacement Junction Box				2.6
MTAP-FAN-180	<--->	Replacement Fan	182 & 184	MTCP-1P5-3BD12 MTCP-002-3BD12 MTCP-003-3BD18(C) MTCP-003-3BD36	1-1/2 2 3 3	0.3 1.5
MTAP-SHROUD-180	<--->	Replacement Fan Shroud		MTCP-005-3BD18(C) MTCP-005-3BD36	5 5	
MTAP-JBOX-180	<--->	Replacement Junction Box				3.1
MTAP-FAN-210-2	<--->	Replacement Fan (for 2-pole motors)	213 & 215	MTCP-7P5-3BD36 MTCP-010-3BD36	7-1/2 10	0.3 0.3 2.3 3.4
MTAP-FAN-210	<--->	Replacement Fan (4&6-pole)		MTCP-003-3BD12 MTCP-005-3BD12 MTCP-7P5-3BD18(C) MTCP-010-3BD18(C)	3 5 7-1/2 10	
MTAP-SHROUD-210	<--->	Replacement Fan Shroud				
MTAP-JBOX-210	<--->	Replacement Junction Box				
MTAP-FAN-250-2	<--->	Replacement Fan (for 2-pole motors)	254 & 256	MTCP-015-3BD36 MTCP-020-3BD36	15 20	0.3 0.3 4.5 7.0
MTAP-FAN-250	<--->	Replacement Fan (4&6-pole)		MTCP-7P5-3BD12 MTCP-010-3BD12 MTCP-015-3BD18(C) MTCP-020-3BD18(C)	7-1/2 10 15 20	
MTAP-SHROUD-250	<--->	Replacement Fan Shroud				
MTAP-JBOX-250	<--->	Replacement Junction Box				
MTAP-FAN-280	<--->	Replacement Fan	284 & 286	MTCP-015-3BD12 MTCP-020-3BD12 MTCP-025-3BD18(C) MTCP-030-3BD18(C)	15 20 25 30	0.5 6.5 7.0
MTAP-SHROUD-280	<--->	Replacement Fan Shroud				
MTAP-JBOX-280	<--->	Replacement Junction Box				7.0
MTAP-FAN-320	<--->	Replacement Fan	324 & 326	MTCP-040-3BD18(C) MTCP-050-3BD18(C)	40 50	0.6 8.3 22.3
MTAP-SHROUD-320	<--->	Replacement Fan Shroud				
MTAP-JBOX-320	<--->	Replacement Junction Box				22.3
MTAP-FAN-360	<--->	Replacement Fan	364 & 365	MTCP-060-3BD18(C) MTCP-075-3BD18(C)	60 75	0.6 9.0 22.3
MTAP-SHROUD-360	<--->	Replacement Fan Shroud				
MTAP-JBOX-360	<--->	Replacement Junction Box				22.3
MTAP-FAN-400	<--->	Replacement Fan	405	MTCP-100-3BD18(C)	100	1.1 15.8 30.0
MTAP-SHROUD-400	<--->	Replacement Fan Shroud				
MTAP-JBOX-400	<--->	Replacement Junction Box				
MTAP-FAN-440	<--->	Replacement Fan	444 & 445	MTCP-125-3BD18 MTCP-150-3BD18 MTCP-200-3BD18	125 150 200	2.0 17.5 40.0
MTAP-SHROUD-440	<--->	Replacement Fan Shroud				
MTAP-JBOX-440	<--->	Replacement Junction Box		447		

1) These MTAP replacement components fit only MTCP Premium Efficiency motors; they will NOT fit MTC EAct motors.
 2) Replacement Fans include fan and snap ring.
 3) Replacement Fan Shrouds include shroud, bolts w/washers, and rubber plug.
 4) Replacement Junction Boxes include gasketed base & cover assembly, base gasket, and base bolts.

STABLE™ Motor Slide Bases

Mounting Slide Bases for 56 to 449T NEMA Motors Features

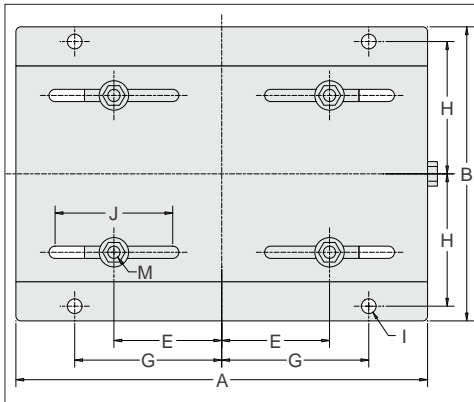
- Allows adjustment of motor mounting position
- Double adjusting screws for frames 182T - 449T
- Manufactured to precise dimensional standards
- Dimensionally interchangeable with existing major makes
- Heavy-duty steel construction
- Painted with oven-baked primer for better adhesion of customer's paint
- All "D" bolts (motor mounting bolts) are fixed to the exact motor foot pattern
- All "D" bolts are welded into position to prevent spinning and dropping from slots
- Bases are provided with washers



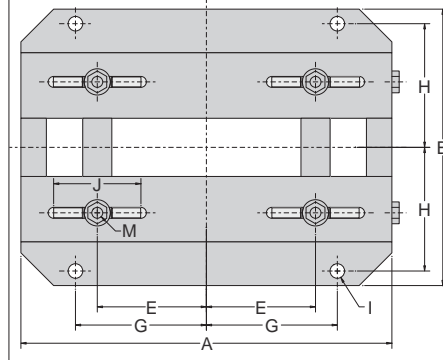
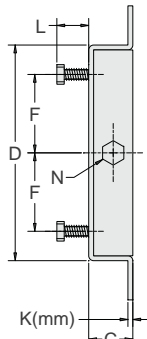
Motor Slide Bases											
Part Number	Price	Fits Frame Type	Product Weight (lb)	Fits Motor							
				IronHorse	Marathon micro -MAX	Marathon Black Max 230/460V	Marathon Black Max 575V	Marathon Blue Max	Marathon NEMA Premium XRI	Marathon Blue Chip XRI 230/460V	Marathon Blue Chip XRI 575V
MTA-BASE-W56	<-->	56	2.8	MTR-xxx-xxxx MTPM-xxx-xxxx	Y500 Y360 Y364	Y592(-A772) Y534(-A772) Y535(-A772)	Y555(-A772) Y556(-A772)	-	E2000	-	-
MTA-BASE-W143T	<-->	143T/TC	4.6	MTC(P)-001-3BD18(C)(CK) MTC-1P5-3BD36	-	Y536(-A772)	-	-	E2001 E2003	-	-
MTA-BASE-W145T	<-->	145T/TC	5.1	MTC-001-3BD12 MTC(P)-1P5-3BD18(C)(CK) MTC(P)-002-3BD18(C)(CK) MTC-002-3BD36	Y368	Y537(-A772) Y538(-A772) Y551(-A772)	Y557(-A772)	-	E2002 E2004 E2006 E2007	-	-
MTA-BASE-W182T	<-->	182T/TC	9.2	MTC-1P5-3BD12 MTC(P)-003-3BD18(C)(CK) MTC-003-3BD36	Y999	Y541(-A772)	Y558(-A772)	-	E2005 E2009 E2010	-	-
MTA-BASE-W184T	<-->	184T/TC	10	MTC-002-3BD12 MTC(P)-005-3BD18(C)(CK) MTC-005-3BD36	Y372	Y540(-A772) Y543(-A772)	Y559(-A772)	-	E2008 E2012 E2013	-	-
MTA-BASE-W213T	<-->	213T/TC	13	MTC-003-3BD12 MTC(P)-7P5-3BD18(C)(CK) MTC-7P5-3BD36	Y994	Y542(-A772) Y545(-A772)	Y560(-A772)	-	E2011 E2015 E2016	-	-
MTA-BASE-W215T	<-->	215T/TC	15	MTC-005-3BD12 MTC(P)-010-3BD18(C)(CK) MTC-010-3BD36	Y996	Y544(-A772) Y547(-A772)	Y561(-A772)	-	E2014 E2018 E2019	-	-
MTA-BASE-W254T	<-->	254T/TC	18	MTC-7P5-3BD12 MTC(P)-015-3BD18(C)(CK)	-	Y546(-A772) Y549(-A772)	Y562(-A772)	-	-	E205	E307
MTA-BASE-W256T	<-->	256T/TC	19	MTC-010-3BD12 MTC(P)-020-3BD18(C)(CK)	-	Y548(-A772) Y552(-A772)	Y563(-A772)	-	-	E206	E308
MTA-BASE-W284T	<-->	284T/TC	20	MTC(P)-025-3BD18(C)(CK)	-	Y553(-A772)	-	-	-	E207	E309
MTA-BASE-W286T	<-->	286T/TC	21	MTC(P)-030-3BD18(C)(CK)	-	Y393(-A772)	-	-	-	E208	E310
MTA-BASE-W324T	<-->	324T/TC	30	MTC(P)-040-3BD18(C)(CK)	-	-	-	Y571(-A774) Y513(-A775)	-	E209	E311
MTA-BASE-W326T	<-->	326T/TC	31	MTC(P)-050-3BD18(C)(CK)	-	-	-	Y572(-A774) Y514(-A775)	-	E210	E312
MTA-BASE-W364T	<-->	364T/TC	43	MTC(P)-060-3BD18(C)(CK)	-	-	-	Y573(-A774) Y515(-A775)	-	E211	E313
MTA-BASE-W365T	<-->	365T/TC	43	MTC(P)-075-3BD18(C)(CK)	-	-	-	Y574(-A774) Y516(-A775)	-	E212	E315
MTA-BASE-W404T	<-->	404T/TC	58	-	-	-	-	-	-	-	-
MTA-BASE-W405T	<-->	405T/TC	60	MTC(P)-100-3BD18(C)(CK)	-	-	-	Y575(-A774) Y517(-A775)	-	E213	E314
MTA-BASE-W444T	<-->	444T	63	MTC(P)-125-3BD18	-	-	-	-	-	-	-
MTA-BASE-W445T	<-->	445T	65	MTC(P)-150-3BD18	-	-	-	-	-	-	-
MTA-BASE-W447T	<-->	445/7T 447T	89	MTC(P)-200-3BD18	-	-	-	-	-	-	-
MTA-BASE-W449T	<-->	449T	94	MTC-250-3D18 MTC-300-3D18	-	-	-	-	-	-	-

STABLE Motor Slide Bases

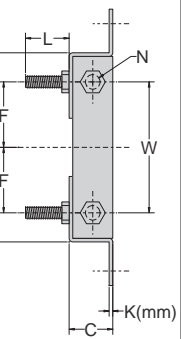
Dimensions – Mounting Slide Bases for NEMA Motors



W56 - W145T Motor Slide Base Dimensions



W182T - W449T Motor Slide Base Dimensions
(W182T-W215T bases have one-piece top plates, similar to W56-W145T)



Dimensions [inches, except as noted] - STABLE Motor Slide Bases

MTA-BASE-Wxxx	A	B	C	D	E	F	G	H	I	J	K(mm)	L	M	N	W
56	10-5/8	6-1/2	1-1/8	4-1/2	2-7/16	1-1/2	3-13/16	2-7/8	3/8	3	2 mm	7/8	5/16 x 1	3/8 x 4	n/a
143T	10-1/2	7-1/2	1-1/8	5-1/2	2-3/4	2	3-3/4	3-3/8	3/8	3	3 mm	13/16	5/16 x 1	3/8 x 4	n/a
145T	10-1/2	8-1/2	1-1/8	6-1/2	2-3/4	2-1/2	3-3/4	3-7/8	3/8	3	3 mm	13/16	5/16 x 1	3/8 x 4	n/a
182T	12-3/4	9-1/2	1-1/2	6-1/2	3-3/4	2-1/4	4-1/2	4-1/4	1/2	3	3.5 mm	1-1/2	3/8 x 1-3/4	1/2 x 6	4-1/2
184T	12-3/4	10-1/2	1-1/2	7-1/2	3-3/4	2-3/4	4-1/2	4-3/4	1/2	3	3.5 mm	1-1/2	3/8 x 1-3/4	1/2 x 6	5-1/2
213T	15	11	1-3/4	7-1/2	4-1/4	2-3/4	5-1/4	4-3/4	1/2	3-1/2	3.8 mm	1-1/2	3/8 x 1-3/4	1/2 x 6	5-1/2
215T	15	12-1/2	1-3/4	9	4-1/4	3-1/2	5-1/4	5-1/2	1/2	3-1/2	3.8 mm	1-1/2	3/8 x 1-3/4	1/2 x 6	7
254T	17-3/4	15-1/8	2	10-3/4	5	4-1/8	6-1/4	6-5/8	5/8	4	4.6 mm	1-7/16	1/2 x 1-3/4	5/8 x 6	5-5/16
256T	17-3/4	16-7/8	2	12-1/2	5	5	6-1/4	7-1/2	5/8	4	4.6 mm	1-7/16	1/2 x 1-3/4	5/8 x 6	7
284T	19-3/4	16-7/8	2	12-1/2	5-1/2	4-3/4	7	7-1/2	5/8	4-1/2	4.6 mm	1-11/16	1/2 x 2	5/8 x 6	7
286T	19-3/4	18-3/8	2	14	5-1/2	5-1/2	7	8-1/4	5/8	4-1/2	4.6 mm	1-11/16	1/2 x 2	5/8 x 6	8
324T	22-3/4	19-1/4	2-1/2	14	6-1/4	5-1/4	8	8-1/2	3/4	5-1/4	4.6 mm	2-3/16	5/8 x 2-1/2	3/4 x 9	7
326T	22-3/4	20-3/4	2-1/2	15-1/2	6-1/4	6	8	9-1/4	3/4	5-1/4	4.6 mm	2-3/16	5/8 x 2-1/2	3/4 x 9	8-1/2
364T	25-1/2	20-1/2	2-1/2	15-1/2	7	5-5/8	9	9-1/8	3/4	6	5.8 mm	2-1/16	5/8 x 2-1/2	3/4 x 9	7-3/4
365T	25-1/2	21-1/2	2-1/2	16-1/2	7	6-1/8	9	9-5/8	3/4	6	5.8 mm	2-1/16	5/8 x 2-1/2	3/4 x 9	8-3/4
404T	28-3/4	22-3/8	3	16-1/2	8	6-1/8	10	9-7/8	7/8	7	5.8 mm	2-1/2	3/4 x 3	3/4 x 11	8-3/4
405T	28-3/4	23-7/8	3	18	8	6-7/8	10	10-5/8	7/8	7	5.8 mm	2-1/2	3/4 x 3	3/4 x 11	10-1/4
444T	31-1/4	24-5/8	3	19-1/4	9	7-1/4	11	11	7/8	7-1/2	5.8 mm	2-1/2	3/4 x 3	3/4 x 11	11
445T	31-1/4	26-5/8	3	21-1/4	9	8-1/4	11	12	7/8	7-1/2	5.8 mm	2-1/2	3/4 x 3	3/4 x 11	13
447T	31-1/4	30-1/8	3	24-3/4	9	10	11	13-3/4	7/8	7-1/2	8 mm	3	3/4 x 3-1/2	3/4 x 11	16-1/2
449T	31-1/4	35-1/8	3	29-3/4	9	12-1/2	11	16-1/4	7/8	7-1/2	8 mm	3	3/4 x 3-1/2	3/4 x 11	21-1/2