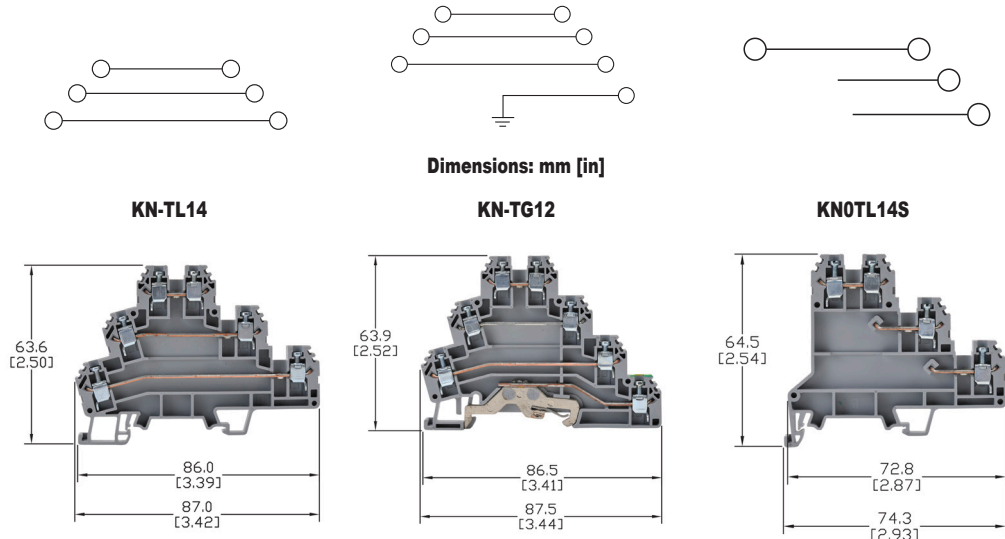


Triple-Level Terminal Blocks

- KN-TL14S designed to make sensor connections more practical
- Ideal for individual cross connections for each layer
- Screw connection terminal
- UL E179129 (For copper wire only. One conductor in terminal only.)
- CE (EN 60947-7-1)



See our website: for complete engineering drawings

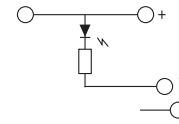
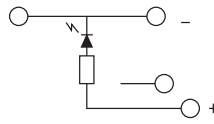
Ordering Information									
Color	Part Number	Qty	Price	Part Number	Qty	Price	Part Number	Qty	Price
Gray	KN-TL14	20		KN-TG12	20		KN-TL14S	20	

Technical Specifications									
Model	KN-TL14			KN-TG12			KN-TL14S		
Width	6mm [0.24 in]			6mm [0.24 in]			6mm [0.24 in]		
Stripping Length	8mm [0.31 in]			8mm [0.31 in]			8mm [0.31 in]		
Tightening Torque	0.4 N·m [3.5 lb·in]			0.4 N·m [3.5 lb·in]			0.5 N·m [4.4 lb·in]		
Density	166/m [50 pcs/ft]			166/m [50 pcs/ft]			166/m [50 pcs/ft]		
UL/CSA Approval	300V	24A	24-12 AWG	300V	24A	24-12 AWG	300V	24A	24-12 AWG
CE Conformity	440V	24A	2.5 mm ²	440V	24A	2.5 mm ²	550V	24A	2.5 mm ²
SCCR Rating	100kA			100kA			100kA per Table SB4.1, 2009, UL 508A.		
Operating Temperature	Ambient air temperature: -67 to 185°F [-55 to 85°C] Relative humidity: 50% max at 104°F [40°C] and 90% max at 68°F [20°C]								
Material	Current Bar: Copper Alloy / Housing: Polyamide 66 / Screws: Zinc Plated Steel								
DIN Rail Width	35mm								

Accessories									
End Cover	Gray	KN-ECTL	10/pkg		KN-ECTG12	10/pkg		KN-ECTLS	10/pkg
Jumpers	2-pole	KN-2JTL12	25/pkg		KN-2JTL12	25/pkg		KN-2JTL12	25/pkg
	3-pole	KN-3JTL12	20/pkg		KN-3JTL12	20/pkg		KN-3JTL12	20/pkg
	4-pole	KN-4JTL12	15/pkg		KN-4JTL12	15/pkg		KN-4JTL12	15/pkg
	10-pole	KN-10JTL12	5/pkg		KN-10JTL12	5/pkg		KN-10JTL12	5/pkg
Marking Tags	KN-L5 Series			KN-L5 Series			KN-L5 Series		

To obtain the most current agency approval information, see the Agency Approval Checklist section on the specific part number's web page.

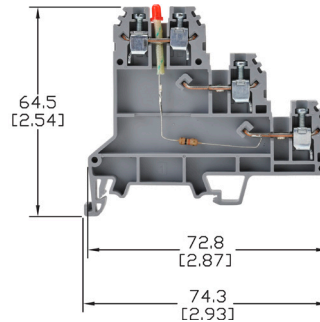
Sensor Terminal Blocks with LED



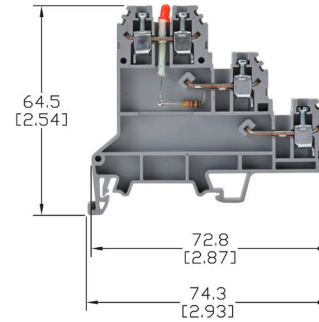
Dimensions: mm [in]

- Make sensor connections more practical
- Provide individual cross connections for each layer
- Screw connection terminal
- UL E179129
(For copper wire only. One conductor in terminal only.)
- CE (EN 60947-7-1/
EN 60947-7-2)

KN-TL14SLN (for NPN sensors)



KN-TL14SLP (for PNP sensors)



See our website: for complete engineering drawings

Ordering Information

Color	Part Number	Qty	Price	Part Number	Qty	Price
Gray	KN-TL14SLN	20		KN-TL14SLP	20	

Technical Specifications

Model	KN-TL14SLN			KN-TL14SLP		
Width	6mm [0.24 in]			6mm [0.24 in]		
Stripping Length	8mm [0.31 in]			8mm [0.31 in]		
Tightening Torque	0.5 N·m [4.4 lb·in]			0.5 N·m [4.4 lb·in]		
Density	166/m [50 pcs/ft]			166/m [50 pcs/ft]		
UL/CSA Approval	300V	24A	24-12 AWG	300V	24A	24-12 AWG
CE Conformity	—	24A	2.5 mm ²	—	24A	2.5 mm ²
LED Voltage	2 Volts			2 Volts		
Resistor Value	10kΩ			10kΩ		
SCCR Rating	100kA per Table SB4.1, 2009, UL 508A. Maximum short circuit current rating for unmarked components.					
Operating Temperature	Ambient air temperature: -67 to 185°F [-55 to 85°C] Relative humidity: 50% max at 104°F [40°C] and 90% max at 68°F [20°C]					
Material	Current Bar: Copper Alloy / Housing: Polyamide 66 / Screws: Zinc Plated Steel					
DIN Rail Width	35mm					

Accessories

End Covers	Gray	KN-ECTLS	10/pkg		KN-ECTLS	10/pkg	
Jumpers	2-pole	KN-2JTL12	25/pkg		KN-2JTL12	25/pkg	
	3-pole	KN-3JTL12	20/pkg		KN-3JTL12	20/pkg	
	4-pole	KN-4JTL12	15/pkg		KN-4JTL12	15/pkg	
	10-pole	KN-10JTL12	5/pkg		KN-10JTL12	5/pkg	
Marking Tags	KN-L5 Series			KN-L5 Series			

To obtain the most current agency approval information, see the Agency Approval Checklist section on the specific part number's web page.



100kA Terminal Block Short-Circuit Current Rating Data

Short-Circuit Current Rating Data										
Part Number	Suitable Copper Conductor Range (AWG)		Fuse Class Maximum Amperage						SCCR Rating	Volts Max
	Line	Load	Class J	Class T	Class RK1	Class RK5	Class G	Class CC		
KN-T12 ²	26-12	26-12	20	20	—	—	20	20	100 kA	600
KN-T10 ²	26-10	26-10	30	30	—	—	30	30	100 kA	600
KN-T8 ²	26-8	26-8	50	50	30	—	45	30	100 kA	600
KN-T6 ²	16-6	16-6	80	80	60	30	60	30	100 kA	600
KN-T4 ²	12-4	12-4	80	80	60	30	60	30	100 kA	600
KN-T2 ²	12-2	12-2	125	125	100	30	60	30	100 kA	600
KN-T1/0 ³	6-1/0	6-1/0	150	150	100	30	60	30	100 kA	600
KN-T2/0 ³	6-2/0	6-2/0	225	225	100	60	60	30	100 kA	600
KN-D12 ^{1 2}	26-12	26-12	20	20	—	—	20	20	100 kA	600
KN-D10 ^{1 2}	26-10	26-10	30	30	—	—	30	30	100 kA	600
KN-TL14 ²	24-12	24-12	30	30	—	—	30	30	100 kA	600
KN-TG14 ²	24-12	24-12	30	30	—	—	30	30	100 kA	600
KN-M12 ²	26-12	26-12	30	30	—	—	30	30	100 kA	600
KN-M10 ²	14-12	14-12	30	30	—	—	30	30	100 kA	600

Note: ¹ KN-D12 and KN-D10 have optional short circuit rating evaluated for use with copper conductors only. Must be protected by the max ampere and Class of overcurrent protective device noted above.

²The terminal block short-circuit rating for KN-D12 and KN-D10 were determined based on testing in a minimum size enclosure measuring 4x4x6 inches. The suitability of smaller enclosures shall be determined in the end-use investigation.

³The terminal block short-circuit rating for KN-T1/0 and KN-T2/0 were determined based on testing in a minimum size enclosure measuring 12x12x6 inches. The suitability of smaller enclosures shall be determined in the end-use investigation.

Multi-Pole Jumper Bars

Multi-pole jumper bars provide terminal block connection flexibility. Screw-down connection jumpers feature all-metal construction and can be installed quickly just by tightening the screws. Screwless comb-style jumpers are also available. See next page for the larger J1/0 jumper installation instructions.

KN-10J12



KN-2JM12

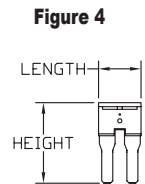
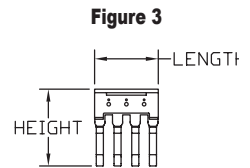
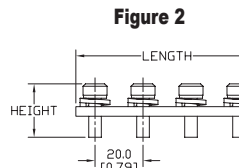
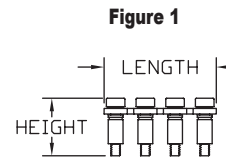


KN-2JCC8



Multi-Pole Jumper Bars Ordering Information

Type	Part Number	Price	Qty	Number of Poles	Ratings	Dimensions - mm [in]			Fig.	Works With
						Height	Length	Width		
Screw-down connection	KN-2J12		25	2	750V 24A	15.8 [0.62]	10.1 [0.40]	4.4 [0.17]	1	KN-T12 KN-D12 KN-D12X KN-D12DR1 KN-D12LED
	KN-3J12		20	3	750V 24A		15.3 [0.60]			
	KN-4J12		15	4	750V 24A		20.4 [0.80]			
	KN-10J12		5	10	750V 24A		51.1 [2.01]			
	KN-2J10		25	2	750V 32A	15.5 [0.61]	10.8 [0.43]	6.0 [0.24]	1	KN-T10 KN-D10 KN-D10X KN-D10DR1 KN-D10LED
	KN-3J10		20	3	750V 32A		17.0 [0.67]			
	KN-4J10		15	4	750V 32A		23.0 [0.91]			
	KN-10J10		5	10	750V 32A		59.0 [2.32]			
	KN-2J8		25	2	630V 41A	15.5 [0.61]	14.3 [0.56]	6.0 [0.24]	1	KN-T8
	KN-3J8		20	3	630V 41A		22.3 [0.88]			
	KN-4J8		15	4	630V 41A		30.3 [1.19]			
	KN-10J8		5	10	630V 41A		78.3 [3.08]			
	KN-2J6		25	2	630V 57A	15.5 [0.61]	18.0 [0.71]	6.0 [0.24]	1	KN-T6
	KN-3J6		20	3	630V 57A		28.0 [1.10]			
	KN-4J6		15	4	630V 57A		38.0 [1.50]			
	KN-10J6		5	10	630V 57A		98.0 [3.86]			
	KN-2J4		25	2	750V 76A	23.0 [0.91]	21.0 [0.83]	6.0 [0.24]	1	KN-T4
	KN-3J4		20	3	750V 76A		33.0 [1.30]			
	KN-4J4		15	4	750V 76A		45.0 [1.77]			
	KN-10J4		5	10	750V 76A		117.0 [4.61]			
KN-2J2		25	2	750V 125A	21.0 [0.83]	29.0 [1.14]	8.0 [0.31]	1	KN-T2	
KN-3J2		20	3	750V 125A		45.0 [1.77]				
KN-4J2		15	4	750V 125A		61.0 [2.40]				
KN-10J2		5	10	750V 125A		157.0 [6.18]				
KN-2J1/0		5	2	1000V 150A	22.3 [0.88]	36.0 [1.42]	12.0 [0.47]	2	KN-T1/0	
KN-3J1/0		5	3	1000V 150A		56.0 [2.20]				
KN-4J1/0		5	4	1000V 150A		76.0 [2.99]				
KN-2JTL12		25	2	440V 24A	15.5 [0.61]	11.0 [0.43]	4.4 [0.17]	1	KN-DG12 KN-TG12 KN-TL14 KN-TL14S KN-TL14SLN KN-TL14SP	
KN-3JTL12		20	3	440V 24A		17.0 [0.67]				
KN-4JTL12		15	4	440V 24A		23.0 [0.91]				
KN-10JTL12		5	10	440V 24A		59.0 [2.32]				
Push-in Connection	KN-2JM10		25	2	750V 32A	23.2 [0.91]	9.5 [0.37]	2.7 [0.11]	3	KN-M10 KN-KBD10
	KN-3JM10		20	3	750V 32A		15.5 [0.61]			
	KN-4JM10		15	4	750V 32A		21.5 [0.85]			
	KN-10JM10		5	10	750V 32A		57.5 [2.26]			
	KN-2JM12		25	2	750V 24A	21.7 [0.85]	8.0 [0.31]	2.3 [0.09]	3	KN-M12 KN-T12SP4
	KN-3JM12		20	3	750V 24A		13.0 [0.51]			
	KN-4JM12		15	4	750V 24A		18.0 [0.71]			
KN-10JM12		5	10	750V 24A	48.0 [1.89]					
Screwless Comb-style	KN-2JCC12		25	2	750V 24A	23.7 [0.93]	8.0 [0.31]	2.8 [0.11]	4	KN-T12
	KN-2JCC10		25		750V 32A	24.7 [0.97]	9.5 [0.37]			KN-T10
	KN-2JCC8		25		630V 41A	25.6 [1.01]	13.5 [0.53]			KN-T8
	KN-2JCC6		25		630V 57A	26.7 [1.05]	16.0 [0.63]			KN-T6



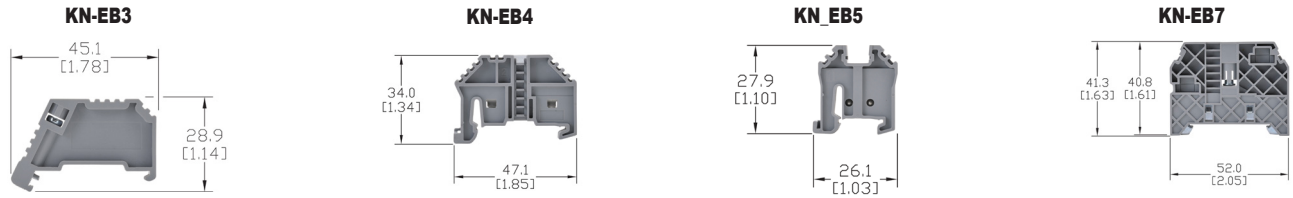
Please visit our website
for complete engineering drawings.

Screwless Comb-Style jumpers are designed to be connected under the conductor clamp.

End Brackets

End brackets prevent terminal blocks and other DIN rail mount components and devices from moving laterally on the rail. They are constructed from polyamide 66 and available in configurations for 35mm and 15mm DIN rails.

Dimensions mm [in]



End Brackets Ordering Information

Gray End Brackets	KN-EB3	100/pkg	KN-EB4	100/pkg	KN-EB5	100/pkg	KN-EB7	50/pkg
	KN-EB3-10	10/pkg	KN-EB4-10	10/pkg	KN-EB5-10	10/pkg	KN-EB7-10	10/pkg

Technical Specifications

Description	Screw-type end bracket	Screwless end bracket	Screwless end bracket	Screw-type end bracket
Bracket Width	8 mm [0.31 in]	8 mm [0.31 in]	8 mm [0.31 in]	10 mm [0.39 in]
DIN Rail Width	35 mm	35 mm	15 mm	35 mm
Material	Housing: Polyamide 66 / Clamping Connector: Zinc Plated Steel			

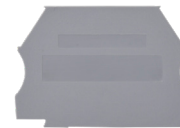
End Bracket Accessories

Label Holder	—	—	—	KN-MA-1	25/pkg	—	—	—	KN-MA-2	50/pkg
Marking Tags	—	—	—	KN-MA-1-10	10/pkg	—	—	—	KN-MA-2-10	10/pkg
KN-L5 Series or KN-L6P5 Series										

End Covers

End covers are used to cover the open side of sectional DIN rail mount terminal blocks. They should be used at the end of an assembly of identical terminal blocks or whenever there is a change in the physical size of the terminal block.

Material: Polyamide 66



End Covers Ordering Information

Part Number	Color	Dimensions H x L x W mm [in]	Suitable for	Qty	Price	Part Number	Color	Dimensions H x L x W mm [in]	Suitable for	Qty	Price
KN-ECT6GRY	gray	34.0x42.7x1.3 [1.34x1.68x0.05]	KN-T12 KN-T10 KN-T8 KN-T6	100		KN-ECDORG	orange	48.2x63.2x1.3 [1.90x2.49x0.05]	KN-D10 KN-D12	10	
KN-ECT6GRY-25	gray			KN-ECDRED	red						
KN-ECT6BLU	blue			KN-ECDYEL	yellow						
KN-ECT6BLK	black			KN-ECTL	gray	54.7x87.1x1.3 [2.15x3.43x0.05]	KN-TL14	10			
KN-ECT6BRN	brown			KN-ECTLS	gray	54.7x72.8x1.2 [2.15x2.87x0.05]	KN-TL14S	10			
KN-ECT6GRN	green			KN-ECDG12	gray	48.0x71.4x1.2 [1.89x2.81x0.05]	KN-DG12	10			
KN-ECT6ORG	orange			KN-ECTG12	gray	62.5x87.5x1.2 [2.46x3.44x0.05]	KN-TG12	10			
KN-ECT6RED	red			28.1x27.0x3.0 [1.11x1.06x0.12]	KN-M12 KN-M10	100					
KN-ECT6WHT	white					KN-ECMGRY-10	gray	10			
KN-ECT6YEL	yellow					KN-ECMBLU	blue				
KN-ECT4GRY	gray	45.7x52.8x1.2 [1.80x2.08x0.05]	KN-T4	25		KN-ECMGRN	green/ yellow	28.1x27.0x3.0 [1.11x1.06x0.12]	KN-MG12 KN-MG10	10	
KN-ECT4BLU	blue			10		KN-ECG12SP4	green/ yellow	39.7x57.1x1.2 [1.56x2.25x0.05]	KN-G12SP4	10	
KN-ECDGRY	gray	48.2x63.2x1.3 [1.90x2.49x0.05]	KN-D10 KN-D12	25		KN-ECT12SP4	gray	39.7x57.1x1.2 [1.56x2.25x0.05]	KN-T12SP4	25	
KN-ECDBLU	blue			10		KN-ECF10	gray	27.3x59.6x1.2 [1.07x2.35x0.05]	KN-F10	25	
KN-ECDBLK	black			10		KN-ECKBD	gray	37.1x53.5x1.2 [1.46x2.11x0.05]	KN-KDB10	10	
KN-ECDGRN	green			10							

Separators

Separators are used to segment banks of terminal blocks. Allows you to maintain a single row of terminal blocks, but have separate power source clusters.

Separators Ordering Information							
Part Number	Color	Works With	Dimensions - mm [in]			Qty	Price
			Height	Length	Thickness		
KN-ST1GRY	Gray	KN-T12 KN-T10 KN-T8 KN-T6	39.0 [1.54]	42.5 [1.67]	1.2 [0.05]	10	
KN-ST1BLU	Blue						
KN-ST1BLK	Black						
KN-ST1BRN	Brown						
KN-ST1GRN	Green						
KN-ST1ORG	Orange						
KN-ST1RED	Red						
KN-ST1WHT	White						
KN-ST1YEL	Yellow						
KN-ST2GRY	Gray	KN-T4	52.5 [2.07]	50.5 [1.99]	1.5 [0.06]	25	
KN-ST2BLU	Blue						
KN-ST3GRY	Gray	KN-T2	62.6 [2.46]	53.1 [2.09]	1.5 [0.06]	10	
KN-ST3BLU	Blue						

KN-ST1GRY



Top Covers and Label Holders

Top Covers and Label Holders Ordering Information							
Part Number	Description	Works With	Dimensions - mm [in]			Qty	Price
			Height	Length	Width		
KN-TC-1	Top cover for Konnect-It terminal block, blank, white	KN-T12 KN-T10 KN-T8 KN-T6	6.8 [0.27]	29.0 [1.14]	5.8 [0.23]	25	
KN-TC-1S	Top cover for Konnect-It terminal block, printed electric symbol, white						
KN-TC-2	Top cover for Konnect-It terminal block, blank, white						KN-T4 KN-T2
KN-TC-2S	Top cover for Konnect-It terminal block, printed electric symbol, white						
KN-MA-1	Label holder for terminal block group. Label media not included. Adhesive label: Apply on top.	KN-EB4	46.2 [1.82]	46.0 [1.81]	11.4 [0.45]	25	
KN-MA-1-10	Max label dimensions: 7 x 44 mm (0.28 x 1.73 in).						
KN-MA-2	Label holder for terminal block group. Label media not included. Adhesive label: Apply on top.	KN-EB7	37.5 [1.48]	46.2 [1.82]	9.5 [0.37]	50	
KN-MA-2-10	Max label dimensions: 7 x 44 mm (0.28 x 1.73 in).						
KN-MA-3	Top mounting marking tag adapter for terminal block. Holds up to (4) L5x5 tags	KN-T4 KN-T2	9.3 [0.36]	36.0 [1.42]	9.0 [0.35]	25	
KN-MA-4	Top mounting marking tag adapter for terminal block. Holds up to (4) L5x5 tags	KN-T12 KN-T10 KN-T8 KN-T6	9.0 [0.35]	29.0 [1.14]	5.7 [0.22]	25	
KN-MA-5	Label holder for terminal block group. Label media included.	Attaches to any 35mm DIN rail	46.4 [1.83]	44.5 [1.75]	10.0 [0.39]	50	
KN-MA-5-25	Max label dimensions: 10 x 38mm (0.39 x 1.50 in). Thickness 0.30 mm (0.01 in)						

KN-MA-1



KN-MA-2



KN-MA-5



KN-TC-1 / KN-TC-2



KN-TC-1S / KN-TC-2S



KN-MA-3



KN-MA-4



Marking Tags 5 x 5mm

Use with any KONNECT-IT series terminal blocks.

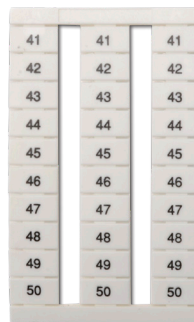


5 x 5mm Marking Tags Ordering Information											
250 Pieces per Package						500 Pieces per Package					
Part Number	Imprint	Price	Part Number	Imprint	Price	Part Number	Imprint	Price	Part Number	Imprint	Price
KN-L5-BLANK-250	Blank		KN-L5-A-250	A		KN-L5-BLANK	Blank		KN-L5-A	A	
KN-L5-0-250	0		KN-L5-B-250	B		KN-L5-0	0		KN-L5-B	B	
KN-L5-1-250	1		KN-L5-C-250	C		KN-L5-1	1		KN-L5-C	C	
KN-L5-2-250	2		KN-L5-D-250	D		KN-L5-2	2		KN-L5-D	D	
KN-L5-3-250	3		KN-L5-E-250	E		KN-L5-3	3		KN-L5-E	E	
KN-L5-4-250	4		KN-L5-F-250	F		KN-L5-4	4		KN-L5-F	F	
KN-L5-5-250	5		KN-L5-G-250	G		KN-L5-5	5		KN-L5-G	G	
KN-L5-6-250	6		KN-L5-H-250	H		KN-L5-6	6		KN-L5-H	H	
KN-L5-7-250	7		KN-L5-I-250	I		KN-L5-7	7		KN-L5-I	I	
KN-L5-8-250	8		KN-L5-J-250	J		KN-L5-8	8		KN-L5-J	J	
KN-L5-9-250	9		KN-L5-K-250	K		KN-L5-9	9		KN-L5-K	K	
KN-L5-10-250	10		KN-L5-L-250	L		KN-L5-10	10		KN-L5-L	L	
KN-L5-1-10-250	1-10		KN-L5-M-250	M		KN-L5-1-10	1-10		KN-L5-M	M	
KN-L5-11-20-250	11-20		KN-L5-N-250	N		KN-L5-11-20	11-20		KN-L5-N	N	
KN-L5-21-30-250	21-30		KN-L5-O-250	O		KN-L5-21-30	21-30		KN-L5-O	O	
KN-L5-31-40-250	31-40		KN-L5-P-250	P		KN-L5-31-40	31-40		KN-L5-P	P	
KN-L5-41-50-250	41-50		KN-L5-Q-250	Q		KN-L5-41-50	41-50		KN-L5-Q	Q	
KN-L5-1-50-250	1-50		KN-L5-R-250	R		KN-L5-1-50	1-50		KN-L5-R	R	
KN-L5-51-100-250	51-100		KN-L5-S-250	S		KN-L5-51-100	51-100		KN-L5-S	S	
KN-L5-101-150-250	101-150		KN-L5-T-250	T		KN-L5-101-150	101-150		KN-L5-T	T	
KN-L5-151-200-250	151-200		KN-L5-U-250	U		KN-L5-151-200	151-200		KN-L5-U	U	
KN-L5-201-250-250	201-250		KN-L5-V-250	V		KN-L5-201-250	201-250		KN-L5-V	V	
KN-L5-251-300-250	251-300		KN-L5-W-250	W		KN-L5-251-300	251-300		KN-L5-W	W	
KN-L5-301-350-250	301-350		KN-L5-X-250	X		KN-L5-301-350	301-350		KN-L5-X	X	
KN-L5-351-400-250	351-400		KN-L5-Y-250	Y		KN-L5-351-400	351-400		KN-L5-Y	Y	
KN-L5-401-450-250	401-450		KN-L5-Z-250	Z		KN-L5-401-450	401-450		KN-L5-Z	Z	
KN-L5-451-500-250	451-500		KN-L5-POS-250	+		KN-L5-451-500	451-500		KN-L5-POS	+	
KN-L5-L1-250	L1		KN-L5-NEG-250	-		KN-L5-L1	L1		KN-L5-NEG	-	
KN-L5-L2-250	L2		KN-L5-GND-250	GND		KN-L5-L2	L2		KN-L5-GND	GND	
KN-L5-L3-250	L3					KN-L5-L3	L3				

Marking Tags 6.5 x 10mm

Use with any KONNECT-IT series terminal blocks 6.5mm or wider.

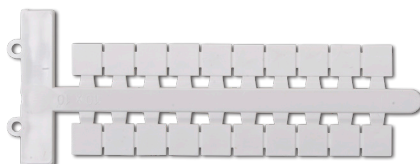
6.5 x 10mm Marking Tags Ordering Information			
Part Number	Description	Qty	Price
<u>KN-L6P5-BLNK-250</u>	Blank	250	
<u>KN-L6P5-1-10-250</u>	Numbered 1-10	250	
<u>KN-L6P5-11-20-250</u>	Numbered 11-20	250	
<u>KN-L6P5-21-30-250</u>	Numbered 21-30	250	
<u>KN-L6P5-31-40-250</u>	Numbered 31-40	250	
<u>KN-L6P5-41-50-250</u>	Numbered 41-50	250	
<u>KN-L6P5-51-60-250</u>	Numbered 51-60	250	
<u>KN-L6P5-61-70-250</u>	Numbered 61-70	250	
<u>KN-L6P5-71-80-250</u>	Numbered 71-80	250	
<u>KN-L6P5-81-90-250</u>	Numbered 81-90	250	
<u>KN-L6P5-91-100-250</u>	Numbered 91-100	250	
<u>KN-L6P5-BLNK</u>	Blank	500	
<u>KN-L6P5-1-10</u>	Numbered 1-10	500	
<u>KN-L6P5-11-20</u>	Numbered 11-20	500	
<u>KN-L6P5-21-30</u>	Numbered 21-30	500	
<u>KN-L6P5-31-40</u>	Numbered 31-40	500	
<u>KN-L6P5-41-50</u>	Numbered 41-50	500	
<u>KN-L6P5-51-60</u>	Numbered 51-60	500	
<u>KN-L6P5-61-70</u>	Numbered 61-70	500	
<u>KN-L6P5-71-80</u>	Numbered 71-80	500	
<u>KN-L6P5-81-90</u>	Numbered 81-90	500	
<u>KN-L6P5-91-100</u>	Numbered 91-100	500	



Marking Tags 5 x 10mm, 6 x 10mm, 10 x 10mm

Marking Tags Ordering Information			
Part Number*	Description	Qty	Price
<u>KN-L5X-BLNK-220</u>	Blank marking tag, 5x10mm, use with any Connect-It terminal block series	220	
<u>KN-L6X-BLNK-180</u>	Blank marking tag, 6x10mm, use with any Connect-It terminal block 6mm or wider	180	
<u>KN-L10X-BLNK-100</u>	Blank marking tag, 10x10mm, use with any Connect-It terminal block 10mm or wider	100	
<u>KN-L5X-BLNK</u>	Blank marking tag, 5x10mm, use with any Connect-It terminal block series	440	
<u>KN-L6X-BLNK</u>	Blank marking tag, 6x10mm, use with any Connect-It terminal block 6mm or wider	360	
<u>KN-L10X-BLNK</u>	Blank marking tag, 10x10mm, use with any Connect-It terminal block 10mm or wider	200	

*Does not fit any KN-T1/0 or KN-G1/0 series block



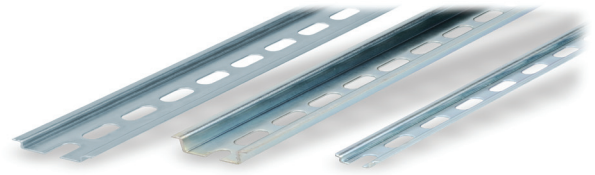
Steel DIN Rails Features

35mm wide

- Available in 1-meter lengths
- 7.5 mm-high rails primarily used to mount terminal blocks, relays, timers and small PLCs such as the DL05, DL06, DL105, DL205, CLICK, and Productivity3000
- 15mm-high rails for mounting larger and heavier components such as contactors and larger PLCs

15mm wide

- Available in 1-meter lengths
- DN-R15S1 exclusively for mounting mini terminal blocks such as the DN-M10-A



Steel DIN Rails Specifications									
	Part Number	Qty	Price	Part Number	Qty	Price	Part Number	Qty	Price
DIN Rail	<u>DN-R35S1</u>	10		<u>DN-R35HS1</u>	10		<u>DN-R15S1</u>	10	
	<u>DN-R35S1-2</u>	2		<u>DN-R35HS1-2</u>	2		<u>DN-R15S1-2</u>	2	
Description	DINnector DIN rail, slotted, 35mm, 7.5mm height, 1m length, plated steel. Package of 10.			DINnector DIN rail, slotted, 35mm, 15mm height, 1m length, plated steel. Package of 10.			DINnector DIN rail, slotted, 15mm, 5.5mm height, 1m length, plated steel. Package of 2.		
Plating	Zinc-plated and chromated								
International Standards	EN 60715, RoHs								
Suggested Mounting Screw Type	M6			M6			M4		

Aluminum DIN Rail Features

35mm wide

- Non-anodized finish
- Zinc plating and passivation (minimum thickness 6 microns)
- Lightweight, easy to cut and deburr
- Terminal blocks only
- Maximum mounting screw #10-32 or M5
- Available in 1-meter lengths

35mm wide raised

- Non-anodized finish
- Zinc plating and passivation (minimum thickness 6 microns)
- Enables users to raise terminal blocks 2¼" above the back panel
- Terminal blocks only
- Available in 1-meter lengths
- Bushing or grommet recommended for wire access hole (example Heyco UB-875 not sold by ADC)



Aluminum DIN Rails Specifications						
	Part Number	Qty	Price	Part Number	Qty	Price
DIN Rail	<u>DN-R35SAL1</u>	10		<u>DN-R35SAL2-2</u>	2	
	<u>DN-R35SAL1-2</u>	2				
Description	DINnector DIN rail, slotted, 35mm, 10mm height, 1m length, aluminum. Package of 10.			DINnector DIN rail, slotted, 2in raised 35mm, 7.5mm height, 1m length, aluminum. Package of 2.		
Plating	Galvanic zinc plating, non-anodized finish					
International Standards	DIN 50960, RoHs					
Suggested Mounting Screw Type	#10-32 or M5					

DIN rail support brackets

- Angled support brackets raise and tilt mounting rails 30 degrees from mounting surface for easier wiring
- DN-ASB1 plated steel support bracket
- DN-ASB2-10 cold-rolled steel treated with galvanic zinc plating and passivation

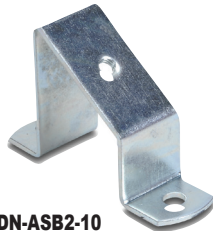
DIN rail mounting clips

- Snap small devices not made for mounting onto 35mm DIN rails
- Zinc plated steel

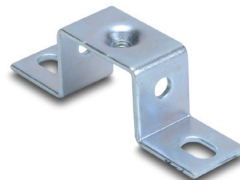
DIN Rail Support Brackets and Mounting Clips			
Part Number	Description	Qty	Price
<u>DN-ASB1</u>	30° angled DIN rail support bracket (M6-1.0 screws not included)	50	
<u>DN-ASB2-10</u>	30° angled DIN rail support bracket (M6-1.0 screws included)	10	
<u>DN-SSB25-10</u>	1" (25 mm) DIN rail support bracket (M6-1.0 screws included)	10	
<u>DN-SSB50-10</u>	2" (50 mm) DIN rail support bracket (M6-1.0 screws included)	10	
<u>DN-SSB70-10</u>	2.75" (70 mm) DIN rail support bracket (M6-1.0 screws included)	10	
<u>DN-SSB90-10</u>	3.5" (90 mm) DIN rail support bracket (M6-1.0 screws included)	10	
<u>DN-CLIP-FM4</u>	DIN rail mounting clip with M4 x 0.7 mm threaded hole (Screws not included)	40	
<u>DN-CLIP-FM4-5</u>		5	
<u>DN-CLIP-FM5</u>	DIN rail mounting clip with M5 x 0.8 mm threaded hole (Screws not included)	40	
<u>DN-CLIP-FM5-5</u>		5	



DN-ASB1



DN-ASB2-10



DN-SSB25-10



DN-SSB50-10



DN-SSB70-10



DN-SSB90-10



**DN-CLIP-FM4
DN-CLIP-FM4-5**



**DN-CLIP-FM5
DN-CLIP-FM5-5**

Allen-Bradley®

The following is a list of comparable products. To obtain our high-quality KONNECT-IT terminal blocks, simply find the corresponding part number of the unit you currently use. These are approximate replacements based on UL wire size, ampacity and voltage. Please consult the technical section for specifications to determine suitability for your application. Physical size varies from manufacturer to manufacturer.

Allen-Bradley	KONNECT-IT
1492-J3	KN-T12GRY
1492-J3-B	KN-T12BLU
1492-J3-BL	KN-T12BLK
1492-J3-BR	KN-T12BRN
1492-J3-G	KN-T12GRN
1492-J3-OR	KN-T12ORG
1492-J3-RE	KN-T12RED
1492-J3-W	KN-T12WHT
1492-J3-Y	KN-T12YEL
1492-J4	KN-T10GRY
1492-J4-B	KN-T10BLU
1492-J4-BL	KN-T10BLK
1492-J4-BR	KN-T10BRN
1492-J4-G	KN-T10GRN
1492-J4-OR	KN-T10ORG
1492-J4-RE	KN-T10RED
1492-J4-W	KN-T10WHT
1492-J4-Y	KN-T10YEL
1492-J6	KN-T8GRY
1492-J6-B	KN-T8BLU
1492-J6-BL	KN-T8BLK
1492-J6-BR	KN-T8BRN
1492-J6-G	KN-T8GRN
1492-J6-OR	KN-T8ORG
1492-J6-RE	KN-T8RED
1492-J6-W	KN-T8WHT
1492-J6-Y	KN-T8YEL
1492-J10	KN-T6GRY
1492-J10-B	KN-T6BLU
1492-J10-BL	KN-T6BLK
1492-J10-BR	KN-T6BRN
1492-J10-G	KN-T6GRN
1492-J10-OR	KN-T6ORG
1492-J10-RE	KN-T6RED
1492-J10-W	KN-T6WHT
1492-J10-Y	KN-T6YEL

Allen-Bradley	KONNECT-IT
1492-J16	KN-T4GRY
1492-J16-B	KN-T4BLU
1492-J35	KN-T2GRY
1492-J35-B	KN-T2BLU
1492-J50	KN-T1/0GRY
1492-J50-B	KN-T1/0BLU
1492-J70	KN-T2/0GRY
1492-J70-B	KN-T2/0BLU
1492-JD3	KN-D12GRY
1492-JD3-B	KN-D12BLU
1492-JD3C	KN-D12X
1492-JD3DR	KN-D12DR1
1492-JD4	KN-D10GRY
1492-JD4-B	KN-D10BLU
1492-JD4C	KN-D10X
1492-WTF3	KN-TL14
1492-WTS3	KN-TL14S
1492-JT3M	KN-TG12
1492-J2Q	KN-T12SP4
1492-WM3	KN-M12GRY
1492-WM3-B	KN-M12BLU
1492-WM4	KN-M10GRY
1492-WM4-B	KN-M10BLU
1492-JG3	KN-G10
1492-JG4	KN-G10
1492-JG6	KN-G8
1492-JG10	KN-G8
1492-JG16	KN-G4
1492-JG35	KN-G2
1492-JG50	KN-G1/0
1492-JG2Q	KN-G12SP4
1492-WMG3	KN-MG12
1492-WMG4	KN-MG10
1492-WFB4	KN-F10
1492-JD3FB	KN-F10SP

DINnectors®

The following is a list of comparable products. To obtain our high-quality KONNECT-IT terminal blocks, simply find the corresponding part number of the unit you currently use. These are approximate replacements based on UL wire size, ampacity and voltage. Please consult the technical section for specifications to determine suitability for your application. Physical size varies from manufacturer to manufacturer.

DINnectors	KONNECT-IT
DN-T12-A	KN-T12GRY
DN-T12B-A	KN-T12BLU
DN-T12BLK-A	KN-T12BLK
DN-T12BR-A	KN-T12BRN
DN-T12GRN-A	KN-T12GRN
DN-T12ORG-A	KN-T12ORG
DN-T12RED-A	KN-T12RED
DN-T12W-A	KN-T12WHT
DN-T12YEL-A	KN-T12YEL
DN-T10-A	KN-T10GRY
DN-T10B-A	KN-T10BLU
DN-T10BLK-A	KN-T10BLK
DN-T10BR-A	KN-T10BRN
DN-T10GRN-A	KN-T10GRN
DN-T10ORG-A	KN-T10ORG
DN-T10RED-A	KN-T10RED
DN-T10W-A	KN-T10WHT
DN-T10YEL-A	KN-T10YEL
DN-T8	KN-T8GRY
DN-T8B	KN-T8BLU
DN-T8BLK	KN-T8BLK
DN-T8BR	KN-T8BRN
DN-T8GRN	KN-T8GRN
DN-T8ORG	KN-T8ORG
DN-T8RED	KN-T8RED
DN-T8W	KN-T8WHT
DN-T8YEL	KN-T8YEL
DN-T6	KN-T6GRY
DN-T6B	KN-T6BLU
DN-T6BLK	KN-T6BLK
DN-T6BR	KN-T6BRN
DN-T6GRN	KN-T6GRN
DN-T6ORG	KN-T6ORG
DN-T6RED	KN-T6RED

DINnectors	KONNECT-IT
DN-T6W	KN-T6WHT
DN-T6YEL	KN-T6YEL
DN-T4	KN-T4GRY
DN-T4B	KN-T4BLU
DN-T1/0	KN-T1/0GRY
DN-T1/0B	KN-T1/0BLU
DN-D10-A	KN-D10GRY
DN-D10B	KN-D10BLU
DN-D10BLK	KN-D10BLK
DN-D10GRN	KN-D10GRN
DN-D10ORG	KN-D10ORG
DN-D10RED	KN-D10RED
DN-D10YEL	KN-D10YEL
DN-D10X-A	KN-D10X
DN-D10DR-A	KN-D10DR1
DN-D10LED1-A	KN-D10LED-24DC
DN-TL14-A	KN-TL14
DN-TL14S-A	KN-TL14S
DN-TL14SLN-A	KN-TL14SLN
DN-TL14SLP-A	KN-TL14SLP
DN-M10-A	KN-M10GRY
DN-M10B-A	KN-M10BLU
DN-G10	KN-G10
DN-G8	KN-G8
DN-G6	KN-G8
DN-G4	KN-G4
DN-G1/0	KN-G1/0
DN-MG10	KN-MG10
DN-F10	KN-F10
DN-F10L110	KN-F10L110AC or KN-F10L110DC
DN-F10L220	KN-F10L220AC or KN-F10L220DC
DN-F10L24	KN-F10L24AC or KN-F10L24DC
DN-DIS10	KN-F10-DCH
DN-KBD12	KN-KBD10

Entelec[®]

The following is a list of comparable products. To obtain our high-quality KONNECT-IT terminal blocks, simply find the corresponding part number of the unit you currently use. These are approximate replacements based on UL wire size, ampacity and voltage. Please consult the technical section for specifications to determine suitability for your application. Physical size varies from manufacturer to manufacturer.

Entelec	KONNECT-IT
115 486.03	KN-T12GRY
125 486.05	KN-T12BLU
115 116.07	KN-T10GRY
125 116.01	KN-T10BLU
115 118.11	KN-T8GRY
125 118.13	KN-T8BLU
115 120.17	KN-T6GRY
125 120.11	KN-T6BLU
115 129.14	KN-T4GRY
125 129.16	KN-T4BLU
115 124.07	KN-T2GRY
125 124.01	KN-T2BLU
115 216.13	KN-T2/0GRY
125 216.15	KN-T2/0BLU
115 490.13	KN-D12GRY
125 490.15	KN-D12BLU
115 271.22	KN-D10GRY
115.541.11	KN-TL14
115 542.12	KN-TL14S
115 643.27	KN-DG12
110 251.05	KN-M10GRY
120 251.07	KN-M10BLU
165 488.27	KN-G10
165 113.16	KN-G10
165 114.17	KN-G8
165 115.10	KN-G8
165 130.23	KN-G4
165 111.14	KN-G2
160 496.26	KN-MG10
115 657.25	KN-F10
115 604.21	KN-F10SP
115 986.00	KN-KBD10

Phoenix Contact®

The following is a list of comparable products. To obtain our high-quality KONNECT-IT terminal blocks, simply find the corresponding part number of the unit you currently use. These are approximate replacements based on UL wire size, ampacity and voltage. Please consult the technical section for specifications to determine suitability for your application. Physical size varies from manufacturer to manufacturer.

Phoenix Contact	KONNECT-IT
3003347	KN-T12GRY
3003350	KN-T12BLU
3004362	KN-T10GRY
3004388	KN-T10BLU
3004524	KN-T8GRY
3004977	KN-T8BLU
3005073	KN-T6GRY
3005086	KN-T6BLU
3006043	KN-T4GRY
3006056	KN-T4BLU
3074130	KN-T2GRY
3058350	KN-T2BLU
3213140	KN-T2/0GRY
3244601	KN-T2/0BLU
2771146	KN-D10GRY
3216053	KN-D10BLU
2715979	KN-TL14
2715966	KN-TL14S
0461018	KN-DG12
3011041	KN-TG12
2775375	KN-T12SP4
1413036	KN-M12GRY
1413078	KN-M12BLU
1402940	KN-M10GRY
1402982	KN-M10BLU
0441083	KN-G10
0441504	KN-G10
0442079	KN-G8
3003923	KN-G8
0443023	KN-G4
3074143	KN-G2
2775456	KN-G12SP4
1413117	KN-MG12
0452043	KN-MG10
3004100	KN-F10
3004126	KN-F10L24DC or KN-F10L24AC
3104013	KN-KBD10

Weidmuller[®]

The following is a list of comparable products. To obtain our high-quality KONNECT-IT terminal blocks, simply find the corresponding part number of the unit you currently use. These are approximate replacements based on UL wire size, ampacity and voltage. Please consult the technical section for specifications to determine suitability for your application. Physical size varies from manufacturer to manufacturer.

Weidmuller	KONNECT-IT
102000000	KN-T12GRY
102008000	KN-T12BLU
102001000	KN-T12BLK
103771000	KN-T12BRN
102009000	KN-T12GRN
102006000	KN-T12ORG
102004000	KN-T12RED
103680000	KN-T12WHT
102002000	KN-T12YEL
102010000	KN-T10GRY
102018000	KN-T10BLU
102011000	KN-T10BLK
103781000	KN-T10BRN
102016000	KN-T10GRN
103676000	KN-T10ORG
102014000	KN-T10RED
103670000	KN-T10WHT
102012000	KN-T10YEL
102020000	KN-T8GRY
102028000	KN-T8BLU
102030000	KN-T6GRY
102038000	KN-T6BLU
102040000	KN-T4GRY
102048000	KN-T4BLU
102050000	KN-T2GRY

Weidmuller	KONNECT-IT
102058000	KN-T2BLU
102150000	KN-D12GRY
102158000	KN-D12BLU
104161000	KN-D12X
104191000	KN-D10X
178418000	KN-TL14
791703000	KN-TG12
103140000	KN-T12SP4
069716000	KN-M12GRY
069718000	KN-M12BLU
953711000	KN-M10GRY
103868000	KN-M10BLU
101000000	KN-G10
101010000	KN-G10
101020000	KN-G8
101030000	KN-G8
101040000	KN-G4
101050000	KN-G2
101650000	KN-G12SP4
130336000	KN-MG12
038026000	KN-MG10
101100000	KN-F10
101230000	KN-F10L110AC
101240000	KN-F10L220AC
101130000	KN-F10L24DC
791018000	KN-KBD10