

# STXR Series Surge Protective Devices

The most popular range in the STX series offering, the Surge-Trap® Type 1 STXR meets requirements for UL1449 Fourth Edition and is ideal for the replacement of obsolete surge arrestors. The STXR Series SPD feature TPMOV® technology inside making them some of the safest products available. With a small, compact design and line or load installation flexibility the STXR series is the perfect fit for branch panel and/or individual equipment protection. Protect your sensitive equipment from costly downtime or damage with these high performance surge protective devices.



## Features

- Designed with the industry leading Mersen TPMOV® Technology
- LED status indicator (ON = Good, OFF = Replace)
- NEMA 4X enclosure for outdoor or indoor use
- Fits 3/4" knockouts with 3' leads for easy installation
- Optional mounting bracket for surface mount applications
- For use in ANSI/UL Type 1 or 2 SPD installations
- Up to 7 modes of Protection (L-N, L-L, L-G optional, N-G optional)
- 5-year warranty

## Ratings

- Volts ( $U_n$ ): 120-600VAC
- Nominal Discharge Current Rating ( $I_n$ ): 10 - 20 kA
- Surge Capacity: 50kA
- Short-Circuit Current Rating (SCCR): 200kA

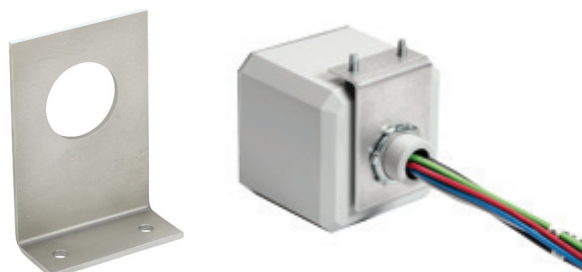
## Applications

- AC Distribution
- Power supplies
- Drive protection
- Fire alarms
- Control panels
- Telecommunications
- Residential
- IT / Data centers

## Approvals

- ANSI/UL 1449 4th Edition, Type 1 SPD, File E210793
- CSA C22.2, Type 1 SPD, File 162842
- ANSI/IEEE C62.41.1, C62.41.2, C62.45
- UL96A Lightning Protection

Mersen STXR Series Type 1 Surge Protective Devices												
Part Number	Price	Description	Weight lb [oz]	$I_n$	Max Continuous Operating Voltage (MCOV)				Voltage Protection Rating (VPR)			
					L-N	L-G	L-L	N-G	L-N	L-G	L-L	N-G
<b>STXR120P05</b>		120V single phase	1.45 [23.2]	20kA	150	–	–	–	700	–	–	–
<b>STXR240S05</b>		240/120V split phase			150	–	300	–	700	–	1200	–
<b>STXR208Y05N</b>		208/120V 3-Phase WYE			150	300	300	150	700	1200	1200	600
<b>STXR480Y05N</b>		480/277V 3-Phase WYE			320	470	640	150	1200	1800	2000	700
<b>STXR600Y05N</b>		600/347V 3-Phase WYE			420	690	840	270	1500	2500	2500	1000
<b>STXR240D05</b>		240V 3-Phase DELTA			–	320	640	–	–	1200	2000	–
<b>STXR480D05</b>		480V 3-Phase DELTA		–	550	1100	–	–	1800	3000	–	
<b>STXRGBK</b>		STXR Mounting bracket kit. Includes (1) 90 degree bracket and (2) 10-32 hex/slotted thread-forming mounting screws. Weight 0.05 lb [0.8 oz].										



STXRGBK

# STXR Series Surge Protective Devices

## Technical Specifications

Mersen STXR Series Type 1 Surge Protective Devices General Specifications	
<b>Short circuit current rating (SCCR)</b>	200kA
<b>Nominal discharge current rating (<math>I_n</math>)</b>	10 - 20 kA
<b>Surge capacity per phase (<math>I_{max}</math>)</b>	50kA
<b>Frequency</b>	50/60 Hz
<b>Connection method</b>	Parallel, 3' (1m) 10AWG stranded copper
<b>Circuit placement</b>	Lineside or loadside of service overcurrent protective device
<b>Mounting</b>	3/4" - 14 threaded hub (includes locking washer)
<b>Operating temperature</b>	-40°C to +85°C [-40°F to +185°F]
<b>Storage temperature</b>	-40°C to +85°C [-40°F to +185°F]
<b>Enclosure rating</b>	NEMA 4X non-metallic*
<b>Flammability rating</b>	UL 94-5VA
<b>Operating humidity</b>	0 to 95% non-condensing
<b>Maximum operating altitude</b>	16,000 ft
<b>Visual end-of-life indicator</b>	GREEN = OK; OUT = replace
<b>Enclosure material</b>	Polycarbonate
<b>Enclosure cover material</b>	Lexan polycarbonate
<b>Certification and SPD type</b>	UL 1449 and CSA C22.2 Listed Type 1

\*For NEMA 4x installation use appropriate customer supplied gasket, fittings and/or conduit to maintain rating.

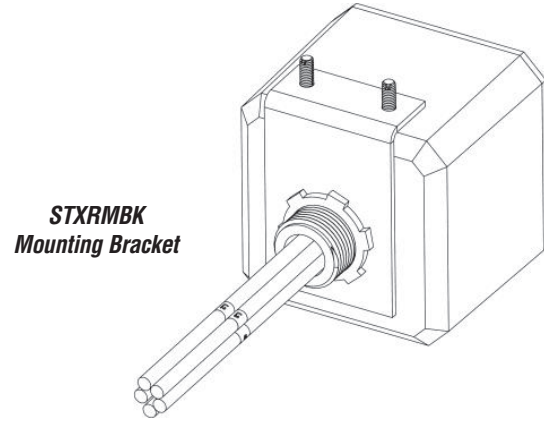
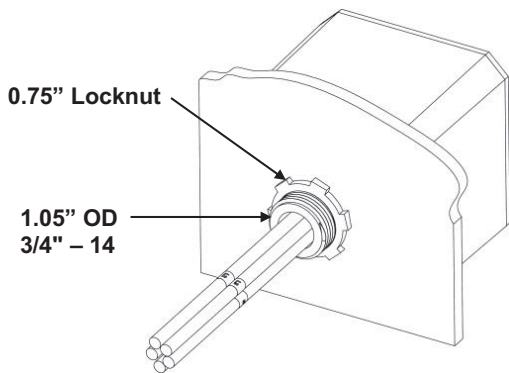
To obtain the most current agency approval information, see the Agency Approval Checklist section on the specific part number's web page.

## Wiring

<b>STXR120P05</b>	<b>STXR240S05</b>
<p><b>Single Phase, 2-Wire</b></p>	<p><b>Split Phase, 3-Wire</b></p>
<p><b>STXR208Y05N, STXR480Y05N, STXR600Y05N</b></p> <p><b>3-Phase WYE, 4-Wire + Ground</b></p>	<p><b>STXR240D05, STXR480D05</b></p> <p><b>3-Phase DELTA, 3-Wire + Ground</b></p>

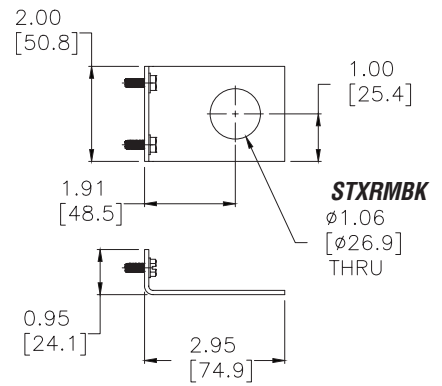
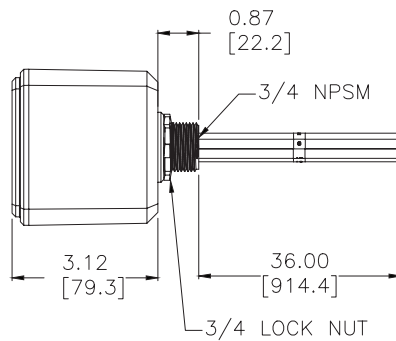
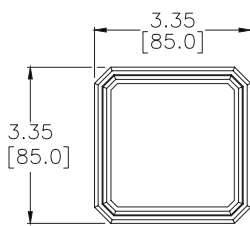
# STXR Series Surge Protective Devices

## Mounting



## Dimensions

in [mm]



### STXR Series Type 1 Surge Protective Devices

See our website: for complete engineering drawings