

# Jet Pump (Centrifugal), 3-Phase Drip-proof Motors

## C-Face Footed (Rigid Base) 56J/56HJ

### Features

- Service Factor, as noted
- Double-sealed ball bearings, mechanically locked on shaft end
- Continuous Duty
- Nameplate 60/50 Hz, 190/380 volts at next lower HP, as noted
- 56J = 416 stainless steel threaded shaft with slinger
- UL Recognized, CSA Certified and CE Mark
- Drip cover kit included
- IP22 Rating

### Applications

- Typical uses include: jet pumps and jet pump motor replacements, well pumps, and liquid pumping applications



Motor Shipping Schedule *		
Same or one day *	Up to 7 days	Up to 10 days

Color indicates shipping lead time in business days. Check stock status online.  
\* Certain heavy and oversized items can be shipped only via LTL. Check our website for current shipping method constraints by part number.

Motor Specifications – Jet Pump (Centrifugal) 3-Phase Drip-proof Motors											
Part Number*	Price	HP	Base RPM	Volts	Encl.	NEMA Design	NEMA Frame	Model No.	F.L. Amps	Weight (lb)*	Footnotes
<a href="#">J047</a>		1/3	3600	208-230/460 - 190/380	DP	B	56J	56T34D5368 D	1.2-1.1/0.55 - 1.1/0.55	21	68
<a href="#">J048</a>		1/2						56T34D5367 D	1.9-2.2/1.1 - 2.0/1.0	21	
<a href="#">J050</a>		1						56T34D5366 D	3.7-3.7/1.85 - 3.4/1.7	23	
<a href="#">J051</a>		1-1/2						56T34D5369 D	5.2-5.0/2.5 - 4.3/2.15	23	
<a href="#">J052</a>		2					56T34D5370 D	6.4-6.2/3.1 - 6.0/3.0	30		
<a href="#">J053</a>		3					56T34D5371 D	8.9-8.4/4.2 - 7.0/3.5	32		

\* Refer to the Motor Shipping Schedule table for shipping information.  
Certain heavy and oversized items can be shipped only via LTL. Check our website for current shipping method constraints by part number.

Footnotes: 68 = Rated 60/50 hertz, 190/380 or 380 volt at next lower horsepower

Note: Please review the AutomationDirect Terms & Conditions for warranty and service on this product. Warranty service can be arranged through numerous Marathon Electric service centers. See list of service centers on our website at [www.marathonelectric.com](#)

# Jet Pump (Centrifugal), 3-Phase Drip-proof Motors

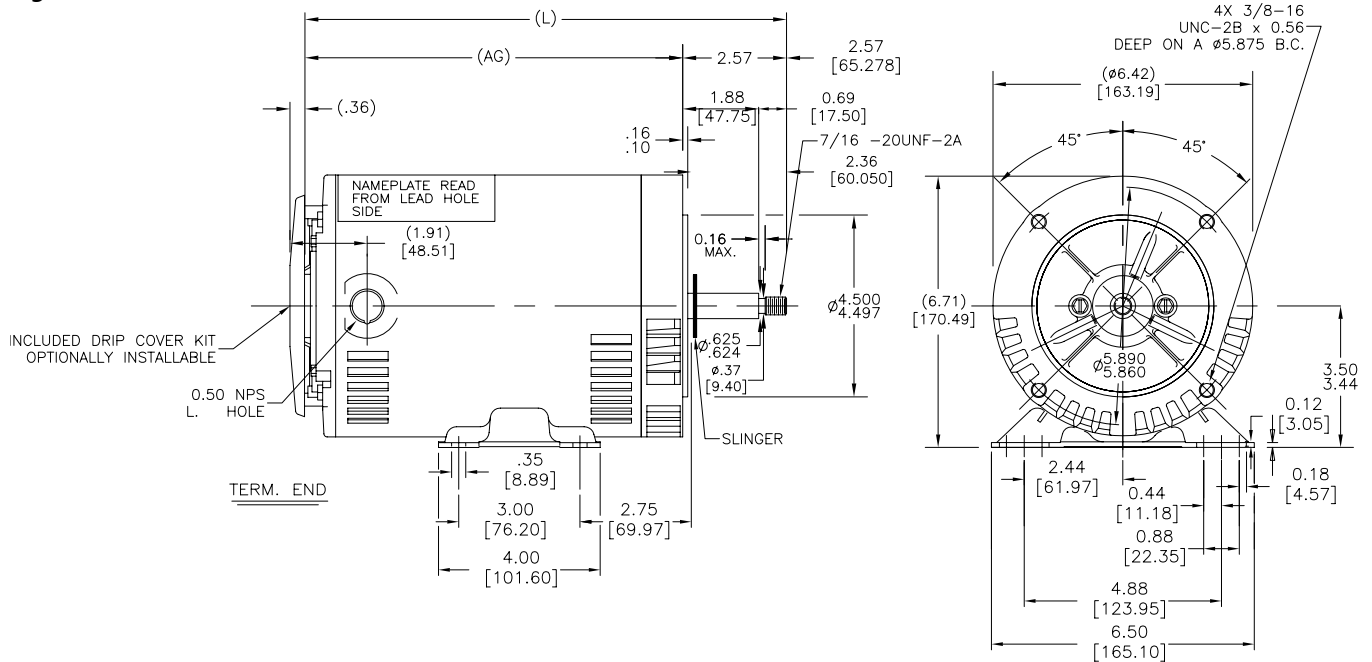
C-Face Footed (Rigid Base) 56J

Performance Data (460 Volt except as indicated) – Jet Pump (Centrifugal) 3-Phase Drip-proof Motors												
Part Number	HP	F.L. RPM	Min. RPM	F.L. AMPS @460V	N.L. AMPS @460V	F.L. Torque (lb-ft)	B.D. Torque (lb-ft)	Max. CHP RPM*	Max. Safe RPM	F.L. Effic.	F.L. Power Factor	Rotor Inertia (lb-ft <sup>2</sup> )
J047	1/3	3450	345	0.55	0.4	0.5	2.1	2700	4000	67.7	84.4	0.02
J048	1/2		345	1.1	0.7	0.76	3.8			66	69.7	0.022
J050	1		345	1.85	1.1	1.5	7			74	71.3	0.03
J051	1-1/2		345	2.5	1.5	2.3	7.7			80	74.4	0.023
J052	2		345	3.1	1.7	3.0	10			80	78.2	0.026
J053	3		345	4.2	2.0	4.5	15			84	82	0.04

\* Maximum Constant HP RPM is for direct-coupled loads.

## Dimensions in [mm]

Figure 1 – J047, J048, J050, J051 Dimensions



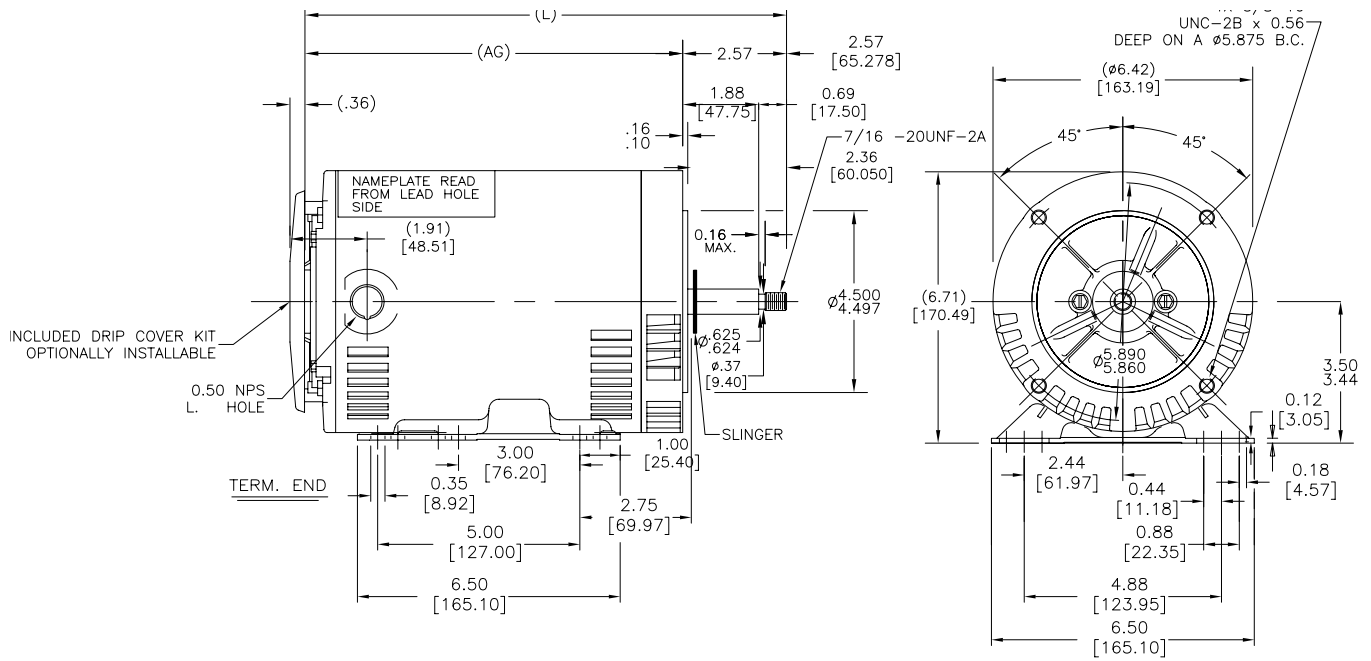
Motor Dimensions (inches)		
Part Number	L	AG
J047	10.43	7.86
J048	10.93	8.36
J050	10.93	8.36
J051	10.93	8.36

# Jet Pump (Centrifugal), 3-Phase Drip-proof Motors

**Dimensions**  
in [mm]

**C-Face Footed (Rigid Base) 56J**

**Figure 2 – J052, J053 Dimensions**



Motor Dimensions (inches)		
Part Number	L	AG
J052	10.93	8.36
J053	11.93	9.36