

# Powerwash SXT Washdown Duty, Single-Phase, All Stainless Steel, Totally Enclosed Motors



**marathon**  
Motors

## C-Face Footed (Rigid Base)

### Features

- Encapsulated electronic starting switch is impervious to moisture.
- Capacitor start induction run design for high starting torque unless otherwise noted.
- 1.15 Service Factor on sinewave.
- Double-sealed ball bearings.
- 303 stainless steel shaft with spring-loaded contact seals in each end.
- 300 Series stainless steel external construction: frame, end shields, conduit box, fan guard, mounting base and hardware for superior corrosion resistance.
- Internal corrosion-resistant coatings on rotor and heavy polyester varnish on the stator.
- 100% paint-free constructions.
- One-way condensation drains in each end shield and conduit box for all angle mounting.
- Nitrile Buna-N gaskets and seals on conduit box, through bolts and end shields.
- Nameplate information laser etched on frame.
- UL Recognized, CSA Certified and CE Mark.
- IP55 Rating
- Max Guard Insulation System

### Applications

- Typical uses include machine tools, conveyors, packaging machines, batching machines, food and beverage equipment, pumps, and fans

#### Motor Shipping Schedule \*

Same or one day *	Up to 7 days	Up to 10 days
-------------------	--------------	---------------

Color indicates shipping lead time in business days. Check stock status online.

\* Certain heavy and oversized items can be shipped only via LTL. Check our website for current shipping method constraints by part number.

### Motor Specifications – Powerwash SXT Washdown Duty, Single-Phase, Totally Enclosed, All Stainless Steel Motors

Part Number*	Price	HP	Base RPM	Volts	Service Factor	Encl.	NEMA Design	NEMA Frame	Model No.	Weight (lb)*
<a href="#">N341</a>		1/2	1800	115 / 230	1.15	TEFC	B	56C	56C17WD5327 A	29
<a href="#">N343</a>		3/4							56C17WD5328 A	36
<a href="#">N345</a>		1							56C17WD5329 A	42
<a href="#">N347</a>		1-1/2							56C17WD5330 A	53
<a href="#">N349</a>		2						145TC	145TBWD5335 A	62
<a href="#">N348</a>		2	3600	145TBWD5305	49					

\* Refer to the Motor Shipping Schedule table for shipping information.

Certain heavy and oversized items can be shipped only via LTL. Check our website for current shipping method constraints by part number.

Note: Please review the AutomationDirect Terms & Conditions for warranty and service on this product. Warranty service can be arranged through numerous Marathon Electric service centers. See list of service centers on our website at [www.marathonmotors.com](#)

# Powerwash SXT Washdown Duty, Single-Phase, All Stainless Steel, Totally Enclosed Motors

**marathon**<sup>®</sup>  
Motors  
Performance Data

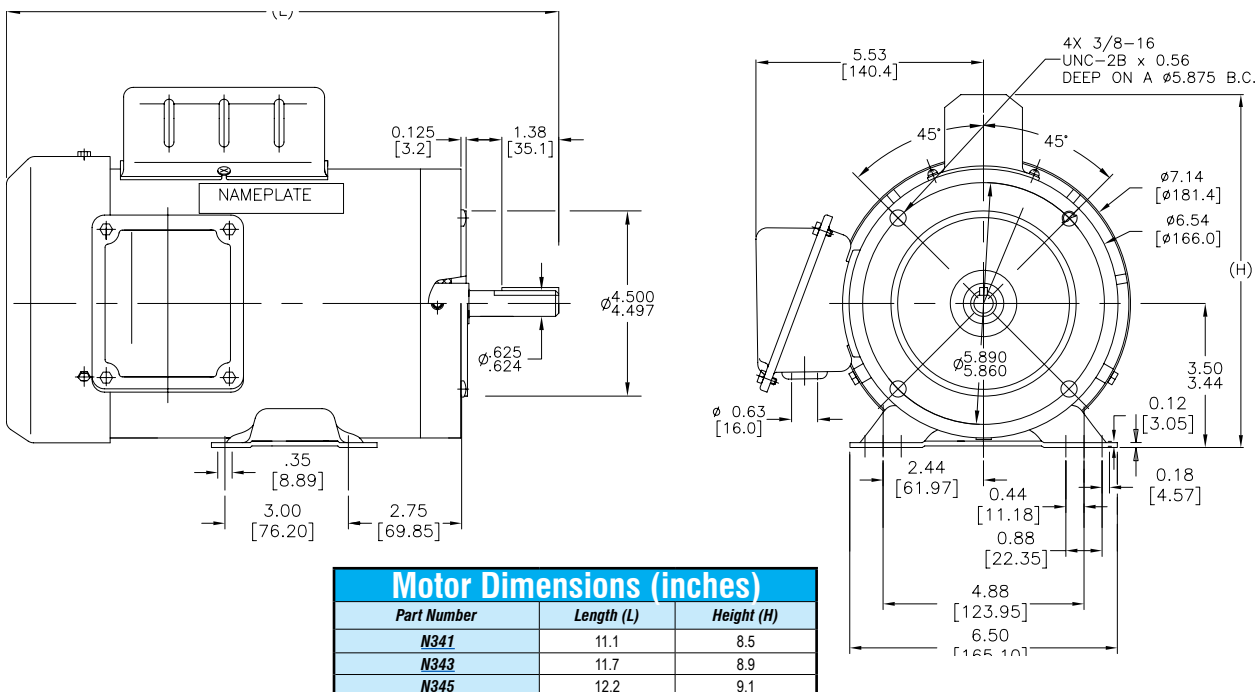
C-Face Footed (Rigid Base)

Performance Data - Single-Phase 56C (230V/60Hz data except as indicated) Powerwash SXT Washdown Duty All Stainless Steel, Totally Enclosed Motors											
Part Number	HP	F.L. RPM	Current @ 115V/230V (Amps)			Torque (lb-ft)			F.L. Efficiency (%)	F.L. Power Factor	Rotor Inertia (lb-ft <sup>2</sup> )
			230 Volt No Load Amps	Full Load Amps (115/230V)	Locked Rotor Amps (115/230V)	Full Load	Locked Rotor	Break-down			
<b>N341</b>	1/2	1725	3.5	8.2 / 4.1	NA* / 20	1.5	5	4.04	61	65	0.058
<b>N343</b>	3/4		4	9.8 / 4.9	NA* / 28.1	2.25	6.42	5.94	72	68	0.081
<b>N345</b>	1		4.9	13.6 / 6.8	NA* / 39	3	8.81	7.4	69	69	0.099
<b>N347</b>	1-1/2		5.1	15.8 / 7.9	116.8 / 58.4	4.5	15	12.7	75	75	N/A*
<b>N349</b>	2		4.3	16.4 / 8.2	115 / 57.5	6.0	14	14.1	74	98	N/A*
<b>N348</b>	2	3450	4.3	18.12 / 9.06	138 / 69	3.0	7.5	7.7	83	87	N/A*

\* Data not available from manufacturer

## Dimensions in [mm]

Figure 1 - N341, N343, N345 Dimensions



# Powerwash SXT Washdown Duty, Single-Phase, All Stainless Steel, Totally Enclosed Motors



## Dimensions in [mm]

Figure 2 – N347 Dimensions

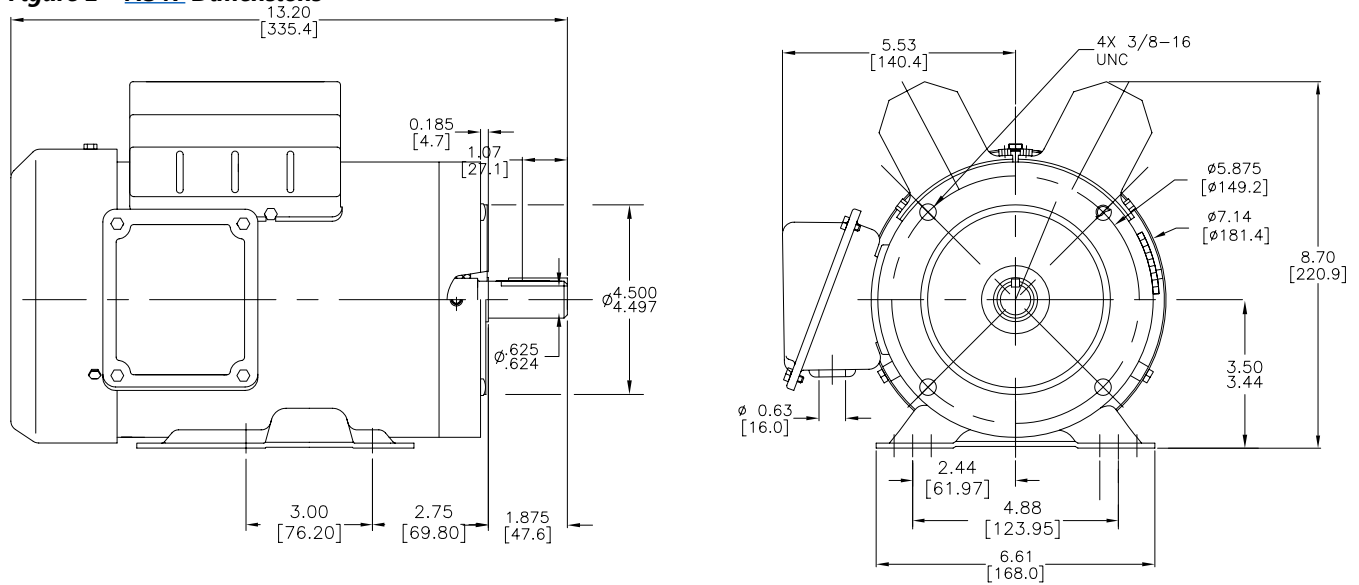
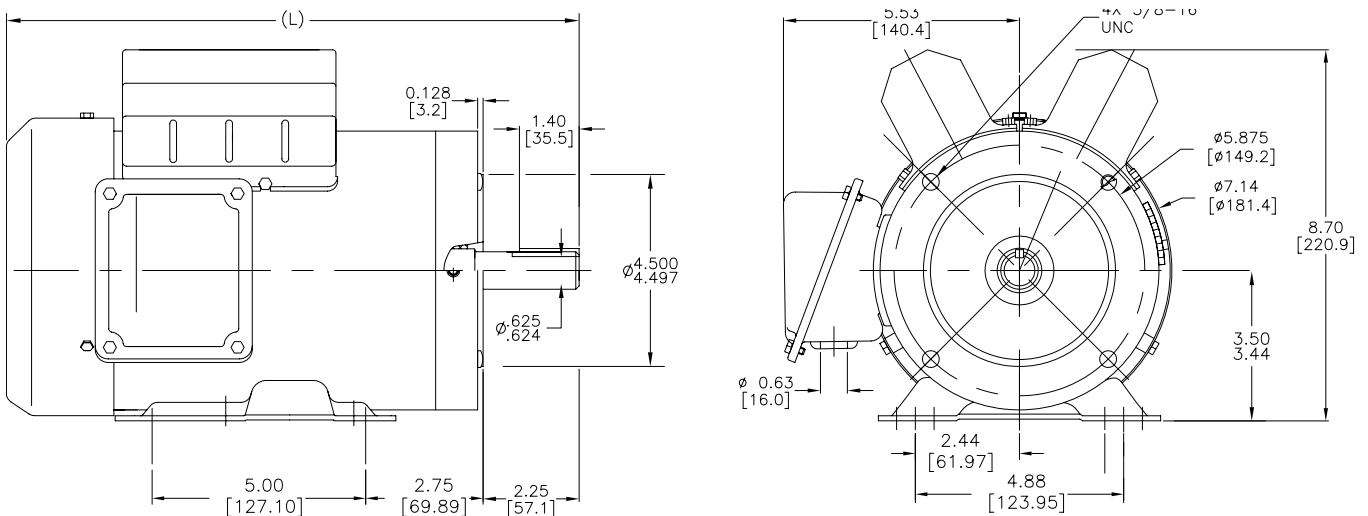


Figure 3 – N348, N349 Dimensions



Motor Dimensions (inches)	
Part Number	Length (L)
N348	13.6
N349	14.0