

# Powerwash SXT Washdown Duty, 3-Phase, All Stainless Steel, Totally Enclosed Motors

## 3-Phase, C-Face, Footed (Rigid Base)

### Features



**marathon**<sup>®</sup>  
Motors

- Suitable for use on VFD 10:1 Variable torque, 10:1 (TEFC) or 1000:1 (TENV) Constant Torque
- MAX GUARD<sup>®</sup> Class F insulation system
- 1.15 Service Factor on sinewave, 1.0 Service Factor on VFD power
- Double-sealed ball bearings
- 303 stainless steel shaft with spring-loaded contact seals in each end (drive end only on TENV)
- 300 Series Stainless steel external construction: frame, end shields, conduit box, mounting base and hardware for superior corrosion resistance
- Internal corrosion resistant coatings on rotor and heavy polyester varnish on the stator
- 100% paint-free construction
- One-way condensation drains in each end shield and conduit box for all angle mounting
- Nitrile Buna-N gaskets and seals on conduit box, through bolts and end shields
- Rated 60/50 Hz, 190/380 volt at next lower horsepower
- Nameplate information laser etched on frame
- UL Recognized, CSA Certified and CE Mark
- IP55 Rating

### Motor Shipping Schedule \*

|                   |              |               |
|-------------------|--------------|---------------|
| Same or one day * | Up to 7 days | Up to 10 days |
|-------------------|--------------|---------------|

Color indicates shipping lead time in business days. Check stock status online.

\* Certain heavy and oversized items can be shipped only via LTL. Check our website for current shipping method constraints by part number.

### Applications

- Replaces 90 volt and 180 volt PMDC motors (when used with AC variable frequency drives)
- Typical uses include: machine tools, conveyors, packaging machines, batching machines, food and beverage equipment, pumps and fans.

## Motor Specifications – Powerwash SXT Washdown Duty 3-Phase All Stainless Steel Totally Enclosed Motors

| Part Number*          | Price | HP  | Base RPM | Volts                     | Encl. | NEMA Design | NEMA Frame     | Model No.                 | F.L. Amps                  | Weight (lb)* | Footnotes |
|-----------------------|-------|-----|----------|---------------------------|-------|-------------|----------------|---------------------------|----------------------------|--------------|-----------|
| <a href="#">N410</a>  |       | 1/3 | 1800     | 208-230 / 460             | TENV  | B           | 56C            | 056T17VD5326              | 1.2-1.3 / .65 & 1.2 / .60  | 30           |           |
| <a href="#">N411</a>  |       | 1/2 |          | 208-230 / 460 - 190 / 380 | TENV  |             | 56C            | 56T17VD5328 A             | 1.5-1.6 / 0.8 - 1.6 / 0.8  | 23.8         |           |
| <a href="#">N412</a>  |       | 3/4 |          | 208-230 / 460 - 190 / 380 | TENV  |             | 56C            | 56T17VD5327 A             | 2.4-2.3 / 1.15 - 2.0 / 1.0 | 31           |           |
| <a href="#">N414A</a> |       | 1   |          | 230 / 460 - 190 / 380     | TEFC  |             | 143TC          | 143TTWD6026 AA            | 3.0 / 1.5 - 3.0 / 1.5      | 44.5         |           |
| <a href="#">N417A</a> |       | 2   |          |                           |       |             | 56HC           | 56T17WD15328 A            | 5.4 / 2.7 - 5.0 / 2.5      | 52.6         | 5         |
| <a href="#">N418A</a> |       | 2   |          |                           |       |             | 145TC          | 145TTWD6029 AA            | 5.4 / 2.7 - 5.0 / 2.5      | 53.1         |           |
| <a href="#">N450</a>  |       | 1/3 | 3600     | 208-230 / 460 - 190 / 380 | TENV  |             | 56C            | 56T34VD5301 A             | 1.1-1.0 / 0.5 - 0.9 / 0.45 | 27           |           |
| <a href="#">N457A</a> |       | 2   |          | 208-230 / 460 - 190 / 380 | TEFC  |             | 56HC           | 56T34WD15303 A            | 5.6-5.0 / 2.5 - 4.6 / 2.3  | 44.5         | 5         |
| <a href="#">N458A</a> |       | 2   |          | 145TC                     |       |             | 145TTWD6001 AA | 5.6-5.0 / 2.5 - 5.2 / 2.6 | 45                         |              |           |

\* Refer to the Motor Shipping Schedule table for shipping information.

Certain heavy and oversized items can be shipped only via LTL. Check our website for current shipping method constraints by part number.

Footnotes: 5 = 56H, 143T, and 145T Combination Base with 12 mounting holes

# Powerwash SXT Washdown Duty, 3-Phase, All Stainless Steel, Totally Enclosed Motors

3-Phase, Footed (Rigid Base)

## Performance Data

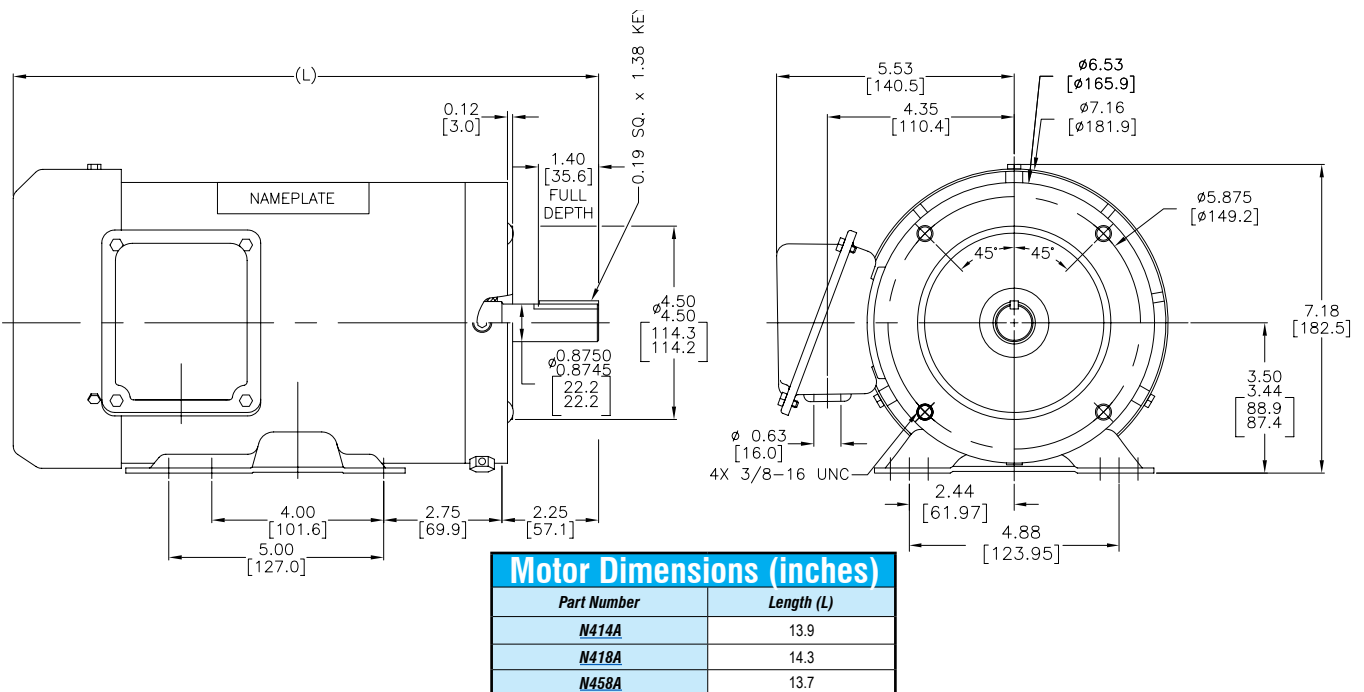
| Performance Data – Powerwash SXT Washdown Duty 3-Phase<br>All Stainless Steel Totally Enclosed Motors |     |          |          |                 |                 |                     |                     |               |               |             |                   |                                     |  |
|---|-----|----------|----------|-----------------|-----------------|---------------------|---------------------|---------------|---------------|-------------|-------------------|-------------------------------------|--|
| Part Number   | HP  | F.L. RPM | Min. RPM | F.L. AMPS @460V | N.L. AMPS @460V | F.L. Torque (lb-ft) | B.D. Torque (lb-ft) | Max. CHP RPM* | Max. Safe RPM | F.L. Effic. | F.L. Power Factor | Rotor Inertia (lb-ft <sup>2</sup> ) | Footnotes  |
| <b>N410</b>   | 1/3 | 1740     | N/A**    | .65             | N/A**           | 16                  | 72                  | N/A**         | N/A**         | 78.5        | 63                | N/A**                               | 10:1 Variable Torque<br>Nameplate footnote: Suitable at 208V at 1.0 S.F.                               |
| <b>N411</b>   | 1/2 | 1740     | 174      | 0.8             | 0.6             | 1.15                | 5.56                | 5400          | 5400          | 81.5        | 68                |                                     |  |
| <b>N412</b>   | 3/4 | 1740     | 174      | 1.15            | 0.7             | 2.25                | 10.18               |               |               | 82.5        | 73                |                                     |  |
| <b>N414A</b>  | 1   | 1750     | 175      | 1.5             | 1               | 2.99                | 15.83               | 3600          | 4000          | 85.5        | 71.5              |                                     |  |
| <b>N417A</b>  | 2   | 1750     | 175      | 2.7             | 1.4             | 5.981               | 25.44               |               |               | 86.5        | 80                |                                     |  |
| <b>N418A</b>  | 2   | 1750     | 175      | 2.7             | 1.4             | 5.981               | 25.44               |               |               | 86.5        | 80                |                                     |  |
| <b>N450</b>   | 1/3 | 3450     | 345      | 0.5             | 0.3             | 8.2                 | 24                  | 5400          | 7200          | 74          | 84.7              | 0.028                               | 10:1 Variable Torque   |
| <b>N457A</b>  | 2   | 3490     | 349      | 2.5             | 0.9             | 3.001               | 11.84               | 2700          | 4000          | 85.5        | 87.5              | N/A**                               | 10:1 Variable Torque<br>Nameplate footnote: NEMA Nom.<br>Efficiency suitable for use at 230/460V only. |
| <b>N458A</b>  | 2   | 3450     | 345      | 2.5             | 0.9             | 3.001               | 11.84               | 2700          | 4000          | 85.5        | 87.5              |                                     |  |

\* Maximum Constant HP RPM is for direct-coupled loads.

\*\* Data not available from manufacturer

## Dimensions in [mm]

Figure 1 – N414A, N418A, N458A, Dimensions

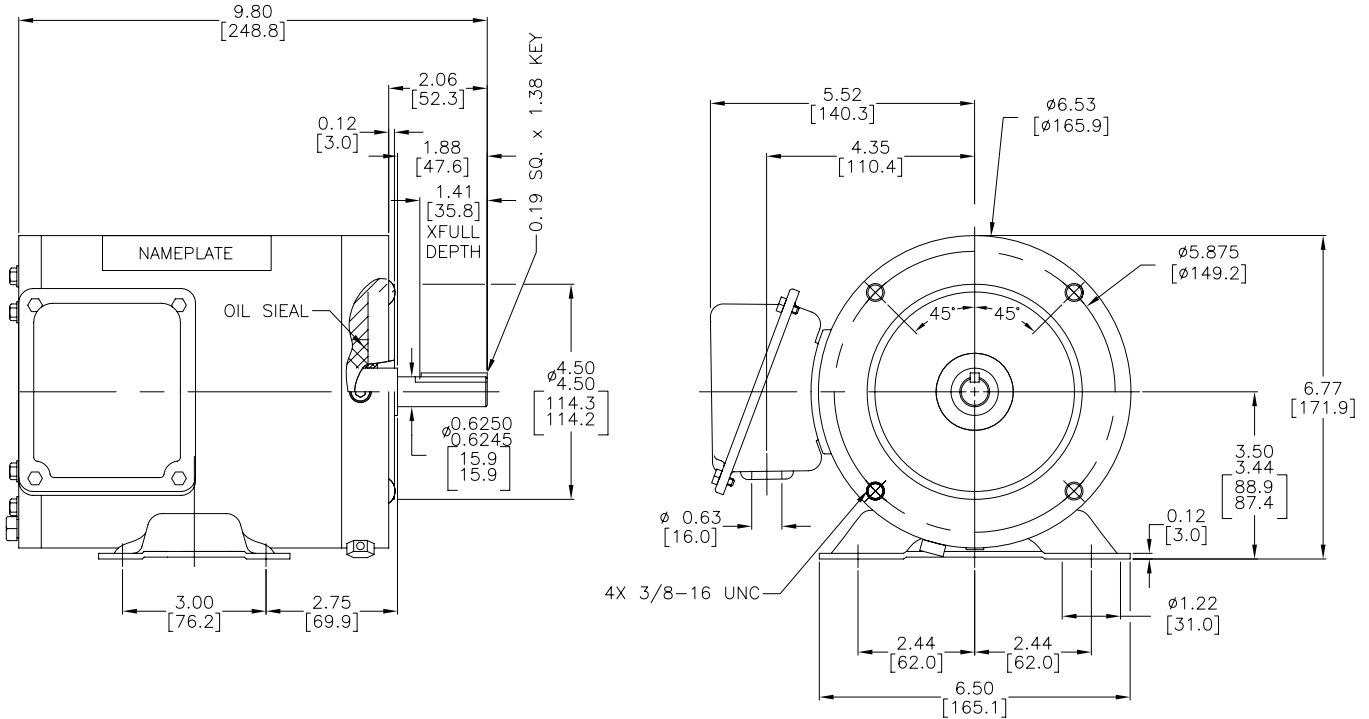


# Powerwash SXT Washdown Duty, 3-Phase, All Stainless Steel, Totally Enclosed Motors

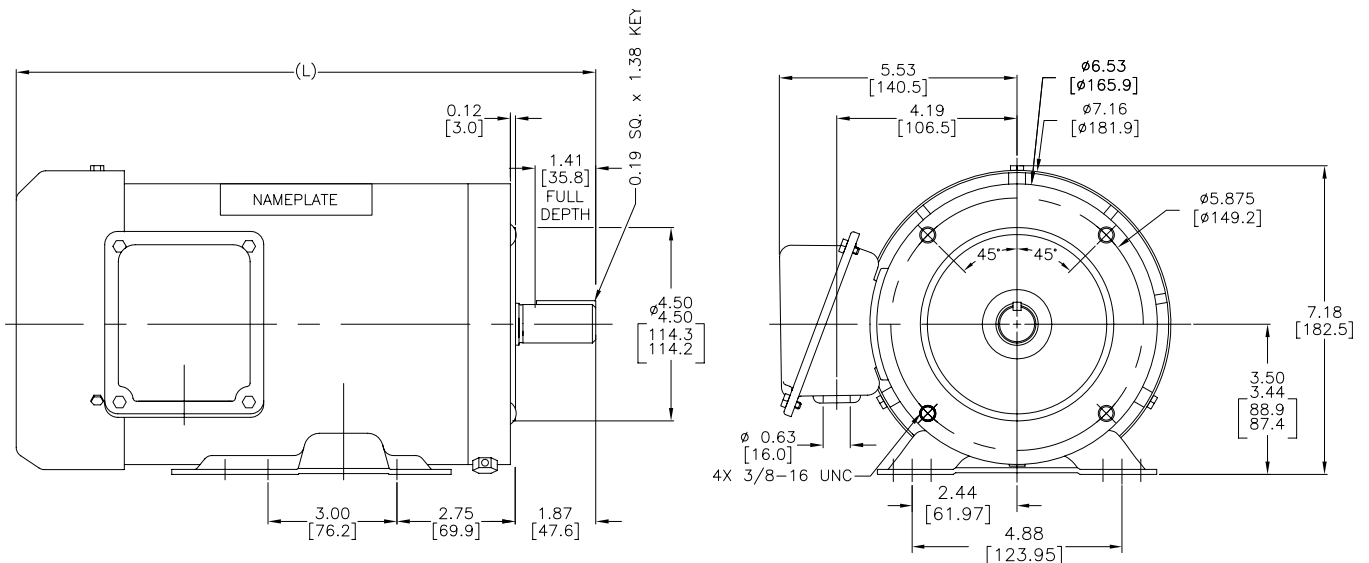
**Dimensions**  
in [mm]

**3-Phase, Footed (Rigid Base)**

**Figure 2 – N411, N412, N450 Dimensions**



**Figure 3 – N417A, N457A Dimensions**



| Motor Dimensions (inches) |            |
|---------------------------|------------|
| Part Number               | Length (L) |
| N417A                     | 14.0       |
| N457A                     | 13.6       |