

Powerwash SXT Washdown Duty, 3-Phase, All Stainless Steel, Totally Enclosed Motors

3-Phase, C-Face, Footed (Rigid Base)

Features

- Suitable for use on VFD 10:1 Variable torque, 10:1 (TEFC) or 1000:1 (TENV) Constant Torque
- MAX GUARD™ Class F insulation system
- 1.15 Service Factor on sinewave, 1.0 Service Factor on VFD power
- Double-sealed ball bearings
- 303 stainless steel shaft with spring-loaded contact seals in each end (drive end only on TENV)
- 300 Series Stainless steel external construction: frame, end shields, conduit box, mounting base and hardware for superior corrosion resistance
- Internal corrosion resistant coatings on rotor and heavy polyester varnish on the stator
- 100% paint-free construction
- One-way condensation drains in each end shield and conduit box for all angle mounting
- Nitrile Buna-N gaskets and seals on conduit box, through bolts and end shields
- Rated 60/50 Hz, 190/380 volt at next lower horsepower
- Nameplate information laser etched on frame
- UL Recognized, CSA Certified and CE Mark
- IP55 Rating



marathon®
Motors

Motor Shipping Schedule *

Same or one day * Up to 7 days Up to 10 days

Color indicates shipping lead time in business days. Check stock status online.

* Certain heavy and oversized items can be shipped only via LTL. Check our website for current shipping method constraints by part number.

Applications

- Replaces 90 volt and 180 volt PMDC motors (when used with AC variable frequency drives)
- Typical uses include: machine tools, conveyors, packaging machines, batching machines, food and beverage equipment, pumps and fans.

Motor Specifications – Powerwash SXT Washdown Duty 3-Phase All Stainless Steel Totally Enclosed Motors

Part Number*	Price	HP	Base RPM	Volts	Encl.	NEMA Design	NEMA Frame	Model No.	F.L. Amps	Weight (lb)*	Footnotes
N499		1	1200	208-230 / 460 - 190 / 380	TEFC	B	145TC	145TTWD6077	3.8-3.8 / 1.9 - 3.4 / 1.7	40	
N410		1/3	1800	208-230 / 460	TENV		56C	056T17VD5326	1.2-1.3 / .65 & 1.2 / .60	30	
N411		1/2		208-230 / 460 - 190 / 380	TENV		56C	56T17VD5328 A	1.5-1.6 / 0.8 - 1.6 / 0.8	23.8	
N412		3/4		208-230 / 460 - 190 / 380	TENV		56C	56T17VD5327 A	2.4-2.3 / 1.15 - 2.0 / 1.0	31	
N414A		1		230 / 460 - 190 / 380	TEFC		143TC	143TTWD6026 AA	3.0 / 1.5 - 3.0 / 1.5	44.5	
N415A		1-1/2					56HC	56T17WD15329 A	4.4 / 2.2 - 3.8 / 1.9	46	5
N417A		2					56HC	56T17WD15328 A	5.4 / 2.7 - 5.0 / 2.5	52.6	5
N418A		2					145TC	145TTWD6029 AA	5.4 / 2.7 - 5.0 / 2.5	53.1	
N450		1/3		3600	208-230 / 460 - 190 / 380		TENV	56C	56T34VD5301 A	1.1-1.0 / 0.5 - 0.9 / 0.45	27
N451		1/2	56C					56T34VD5302 A	1.6-1.5 / 0.75 - 1.3 / 0.65	28	
N452		3/4	56C					56T34VD5303	2.2-2.0 / 1.0 - 1.7 / 0.85	30	
N454A		1	143TC					143TTWD6001	2.6 / 1.3 & 2.4 / 1.2	44	
N455A		1-1/2	230 / 460 - 190 / 380		TEFC		56HC	56T34WD15302 A	3.8 / 1.9 - 3.0 / 1.5	42	5
N456A		1-1/2	208-230 / 460 - 190 / 380				143TC	143TTWD6002 AA	4.2-4.4 / 2.2 - 3.0 / 1.5	42.5	
N457A		2					56HC	56T34WD15303 A	5.6-5.0 / 2.5 - 4.6 / 2.3	44.5	5
N458A		2					145TC	145TTWD6001 AA	5.6-5.0 / 2.5 - 5.2 / 2.6	45	

* Refer to the Motor Shipping Schedule table for shipping information.

Certain heavy and oversized items can be shipped only via LTL. Check our website for current shipping method constraints by part number.

Footnotes: 5 = 56H, 143T, and 145T Combination Base with 12 mounting holes

Powerwash SXT Washdown Duty, 3-Phase, All Stainless Steel, Totally Enclosed Motors

3-Phase, Footed (Rigid Base)

Performance Data

Performance Data – Powerwash SXT Washdown Duty 3-Phase All Stainless Steel Totally Enclosed Motors														
Part Number	HP	F.L. RPM	Min. RPM	F.L. AMPS @460V	N.L. AMPS @460V	F.L. Torque (lb-ft)	B.D. Torque (lb-ft)	Max. CHP RPM*	Max. Safe RPM	F.L. Effic.	F.L. Power Factor	Rotor Inertia (lb-ft ²)	Footnotes	
N410	1/3	1740	N/A**	.65	N/A**	16	72	N/A**	N/A**	78.5	63	N/A**		
N499	1	1150	115	1.9	1.3	4.5	17.4		4000	82.5	60		10:1 Variable Torque	
N411	1/2	1740	174	0.8	0.6	1.15	5.56		5400	81.5	68		10:1 Variable Torque Nameplate footnote: Suitable at 208V at 1.0 S.F.	
N412	3/4	1740	174	1.15	0.7	2.25	10.18			82.5	73			
N414A	1	1750	175	1.5	1	2.99	15.83	3600		85.5	71.5			
N415A	1-1/2	1750	175	2.2	1.3	4.513	21.05		4000	86.5	73.5			
N417A	2	1750	175	2.7	1.4	5.981	25.44			86.5	80			
N418A	2	1750	175	2.7	1.4	5.981	25.44			86.5	80			
N450	1/3	3450	345	0.5	0.3	8.2	24			74	84.7		0.028	
N451	1/2	3450	345	0.75	0.3	12.2	38.7	5400	7200	77	83		0.03	10:1 Variable Torque
N452	3/4	3450	345	1.0	0.5	1.11	2.55			78.5	86			
N454A	1	3450	N/A**	1.3	1/5	24.3	76.3	N/A**	N/A**	80	89.5			
N455A	1-1/2	3510	351	1.9	0.8	2.238	9.81	2700	4000	84	88	N/A**	10:1 Variable Torque Nameplate footnote: Suitable at 208V at 1.0 S.F.	
N456A	1-1/2	3510	351	1.9	0.8	2.238	9.81	5400	7200	84	88		10:1 Variable Torque	
N457A	2	3490	349	2.5	0.9	3.001	11.84	2700	4000	85.5	87.5		10:1 Variable Torque	
N458A	2	3450	345	2.5	0.9	3.001	11.84	2700	4000	85.5	87.5		Nameplate footnote: NEMA Nom. Efficiency suitable for use at 230/460V only.	

* Maximum Constant HP RPM is for direct-coupled loads.

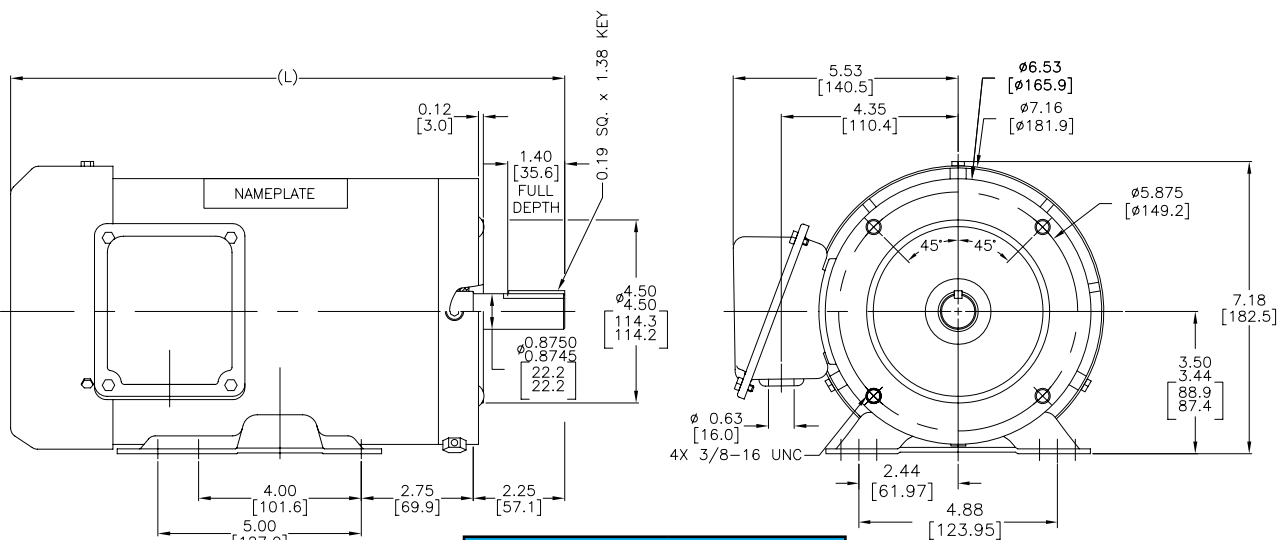
** Data not available from manufacturer

See our website: for complete engineering drawings.

Dimensions

in [mm]

Figure 1 – N414A, N418A, N456A, N458A, N499 Dimensions



Motor Dimensions (inches)	
Part Number	Length (L)
N414A	13.9
N418A	14.3
N456A	13.7
N458A	13.7
N499	13.9

Powerwash SXT Washdown Duty, 3-Phase, All Stainless Steel, Totally Enclosed Motors

Dimensions

3-Phase, Footed (Rigid Base)

in [mm]

Figure 2 – N411, N412, N450, N451, N452 Dimensions

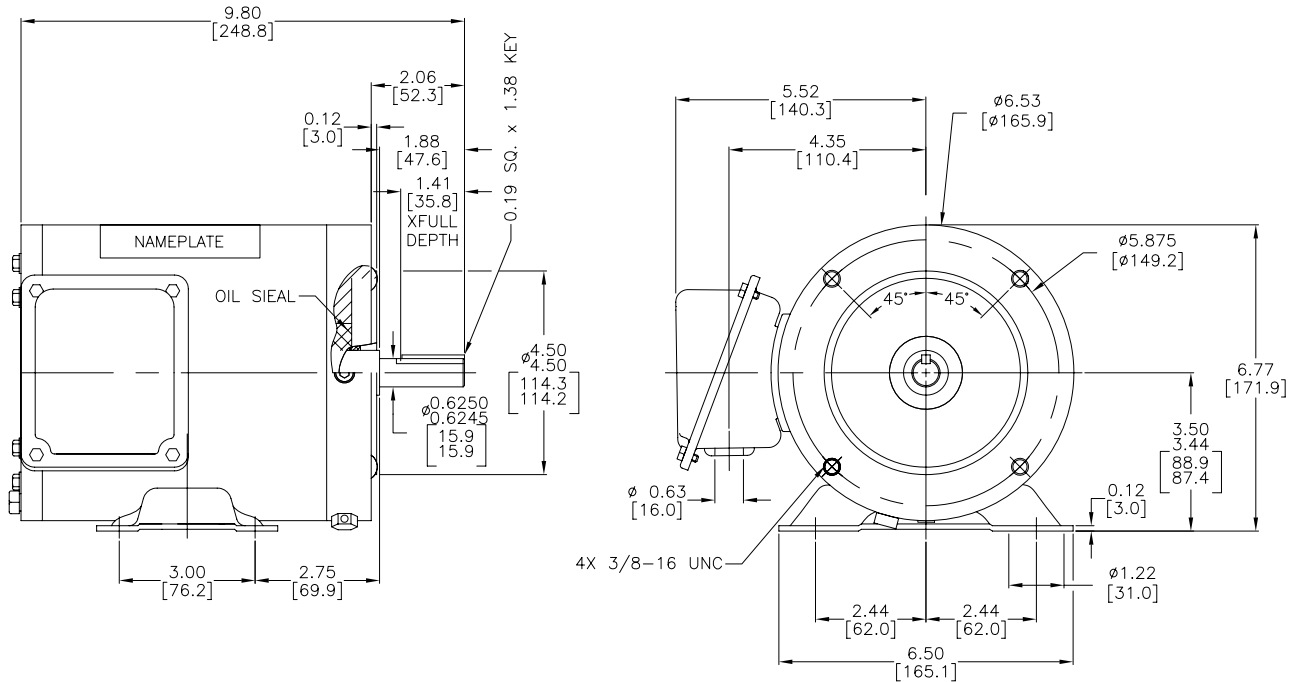
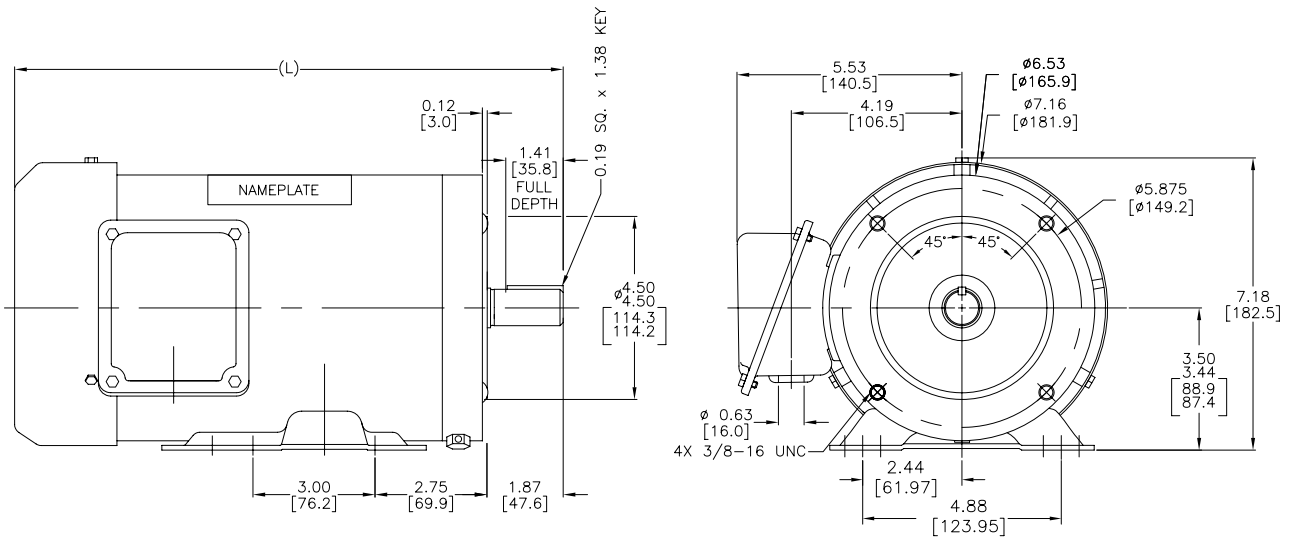


Figure 3 – N415A, N417A, N455A, N457A Dimensions



Motor Dimensions (inches)	
Part Number	Length (L)
N415A	13.6
N417A	14.0
N455A	13.6
N457A	13.6